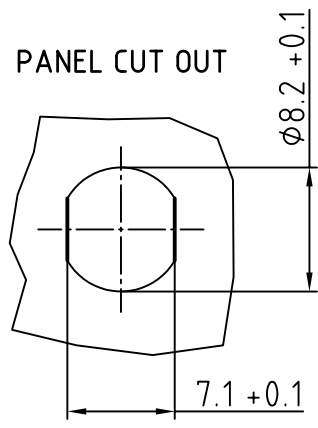
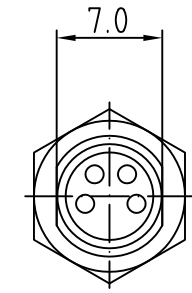
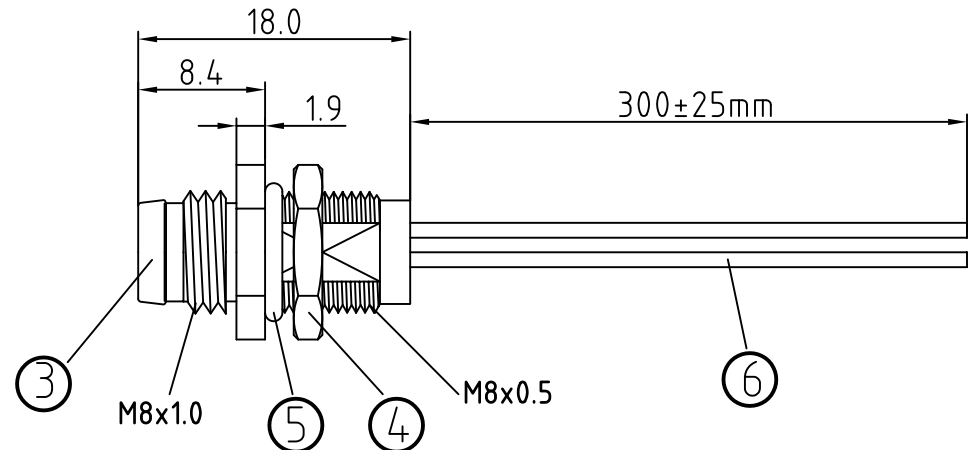
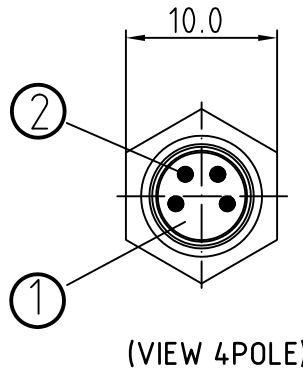


MALE FACE VIEW					
3 POLE		4 POLE		5 POLE	
Pin No.	Wire	Pin No.	Wire	Pin No.	Wire
1	Brown	1	Brown	1	Brown
2	-	2	White	2	White
3	Blue	3	Blue	3	Blue
4	Black	4	Black	4	Black
				5	Grey



POLE	MATERIAL NUMBER	ENGINEERING NUMBER
3	1200310004	4R3F06E02C3003
4	1200310006	4R4F06E02C3003
5	1200310027	4R5F06E02C3003

CONNECTOR SPECIFICATION:	
VOLTAGE RATING	3-4POL:60V/AC 75V/DC 5POL:30V/AC 36V/DC
AMPERAGE RATING	3 AMPS
PROTECTION	IP67
OPERATING TEMPERATURE	-25°C TO +90°C

ITEM	COMPONENT	MATERIAL	FINISH
1	INSERT	POLYURETHANE (PUR)	BLACK
2	CONTACT SOCKET	COPPER ALLOY	GOLD OVER NICKEL
3	SHELL	BRASS	NICKEL PLATED
4	LOCKNUT	BRASS	NICKEL PLATED
5	O-RING	VITON	BLACK
6	COPPER STRANDING AWG24/0.25mm ²	JACKET: PVC	

DESCRIPTION EC NO.: WEU2010-0338 DRWN: REISSNER 2010/02/18 CH'KD: RE APPR: FPACHER 2010/02/24 REV	QUALITY SYMBOLS	GENERAL TOLERANCES (UNLESS SPECIFIED)	DIMENSION STYLE	SCALE	DESIGN UNITS	THIRD ANGLE PROJECTION
	$\nabla = 0$ $\nabla C = 0$	mm INCH 4 PLACES ± --- ± --- 3 PLACES ± --- ± --- 2 PLACES ± --- ± --- 1 PLACE ± 0.1 ± --- ANGULAR ± --- °	MM ONLY	2:1	METRIC	
		DRAFT WHERE APPLICABLE MUST REMAIN WITHIN DIMENSIONS	DRAWN BY DATE REISSNER 2010/02/18 CHECKED BY DATE FP 2010/02/18 APPROVED BY DATE FPACHER 2010/02/19	NC-XP-M-REC-0.3M AWG24-PVC FRONT MOUNT		
	1		MATERIAL NO. DOCUMENT NO. SHEET NO. SEE TABLE SD-120090-027 1 OF 1	MOLEX INCORPORATED THIS DRAWING CONTAINS INFORMATION THAT IS PROPRIETARY TO MOLEX INCORPORATED AND SHOULD NOT BE USED WITHOUT WRITTEN PERMISSION		