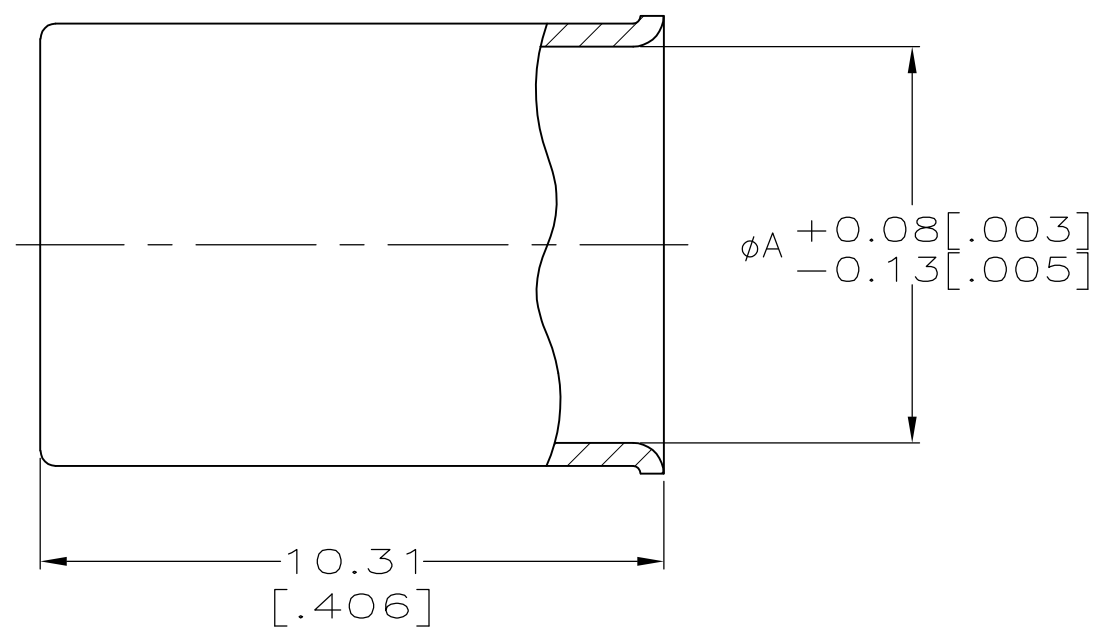


THIS DRAWING IS UNPUBLISHED. RELEASED FOR PUBLICATION
 © COPYRIGHT BY TYCO ELECTRONICS CORPORATION. ALL RIGHTS RESERVED.

LOC	DIST	REVISIONS					
AJ	16	P	LTR	DESCRIPTION	DATE	DWN	APVD
			AJ2	REVISED PER ECO-10-008433	24MAY10	HMR	KW



1. COPPER ALLOY
- △2 TIN-LEAD PLATE PER ASTM-B-545, 2.54 μm [.000100] MIN THICKNESS, WITH SUPPLEMENTAL ANTI FRETTING LUBRICANT.
- △3 SILVER PLATE PER QQ-S-365, 5.08 μm [.000200] MIN THICKNESS
- △4 SEE SEPARATE RESTRICTED CUSTOMER DRAWING FOR THIS PART NUMBER
- △5 MATTE TIN PLATE 2.54 μm [.000100] MINIMUM THICKNESS, WITH SUPPLEMENTAL ANTI FRETTING LUBRICANT
- △6 BRIGHT TIN PLATE 2.54 μm [.000100] MINIMUM THICKNESS, WITH SUPPLEMENTAL ANTI FRETTING LUBRICANT

△4	OBSOLETE	-	-	50428-9
	OBSOLETE	6.35 [.250]	△3	50428-8
		6.35 [.250]	△2	50428-6
		6.55 [.258]	△2	50428-2
		6.55 [.258]	△3	50428-1
		6.55 [.258]	△5	9-50428-0
		6.35 [.250]	△5	9-50428-1
		6.55 [.258]	△6	9-50428-2
		6.35 [.250]	△6	9-50428-3
		6.55 [.258]	△3	9-50428-4
		ϕA	FINISH	PART NUMBER

THIS DRAWING IS A CONTROLLED DOCUMENT.		DWN M.E. COWHER 2-17-92	Tyco Electronics Corporation Harrisburg, PA 17105-3608													
DIMENSIONS: mm [INCHES]		CHK J.T. LIPPERT 2-25-92	NAME													
TOLERANCES UNLESS OTHERWISE SPECIFIED:		APVD M. PHILLIPS 2-25-92	FERRULE, HEAVY WALL													
<table border="0"> <tr> <td>0 PLC</td> <td>± -</td> </tr> <tr> <td>1 PLC</td> <td>± -</td> </tr> <tr> <td>2 PLC</td> <td>± 0.38 [.015]</td> </tr> <tr> <td>3 PLC</td> <td>± -</td> </tr> <tr> <td>4 PLC</td> <td>± -</td> </tr> <tr> <td>ANGLES</td> <td>± -</td> </tr> </table>		0 PLC	± -	1 PLC	± -	2 PLC	± 0.38 [.015]	3 PLC	± -	4 PLC	± -	ANGLES	± -	PRODUCT SPEC -	SIZE	CAGE CODE
0 PLC	± -															
1 PLC	± -															
2 PLC	± 0.38 [.015]															
3 PLC	± -															
4 PLC	± -															
ANGLES	± -															
MATERIAL SEE NOTE 1	FINISH SEE TABLE	APPLICATION SPEC -	W	00779												
		WEIGHT -	D	50428												
		CUSTOMER DRAWING	SCALE	SHEET												
			8:1	1 OF 1												
				REV AJ2												