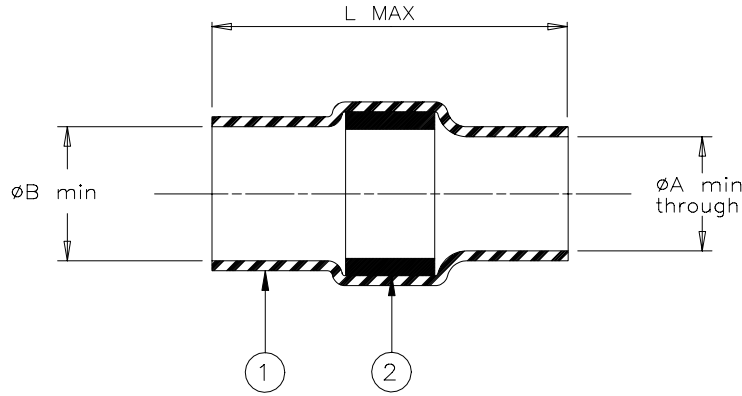


SPECIFICATION CONTROL DRAWING



Product Revision		Product Dimensions			Cable Dimensions				
Product Name		ϕA min.	ϕB min	L max	ϕD max	ϕE min	ϕG max	J ± 0.5	H ± 0.5
B-051-65	D	10.8	11.6	31.5	11.6	5.8	10.8	15	14
B-051-66	D	13	14	31.5	14	8.7	13	15	14

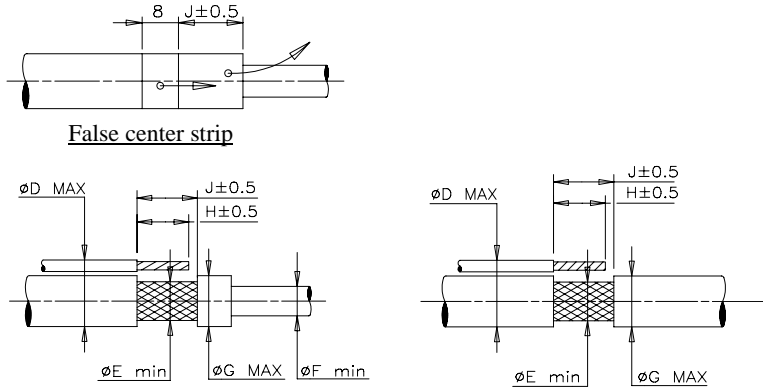
MATERIALS

- INSULATION SLEEVE: Heat-shrinkable, transparent clear, radiation cross-linked modified polyolefin.
- SOLDER PREFORM WITH FLUX:
 SOLDER: TYPE Cd18 per ANSI-J-STD-006.
 FLUX: TYPE ROL1 per ANSI-J-STD-004.

APPLICATION

- These controlled soldering devices are designed for termination of a tin plated copper shield on a cable having an insulation rated for at least +105°C.
- Temperature range: -55°C to +115°C. For application tooling, consult your local Raychem technical service.

For best results, prepare the cable as shown:



* A trademark of Raychem Corporation.

Raychem		THERMOFIT DEVICES		Raychem Corporation 300 Constitution Drive Menlo Park, CA 94025 USA		TITLE: SHIELD TERMINATION LOW TEMPERATURE			
UNLESS OTHERWISE SPECIFIED DIMENSIONS ARE IN MILLIMETERS. INCHES DIMENSIONS ARE BETWEEN BRACKETS.						DOCUMENT NO.: B-051-65/66			
TOLERANCES: 0.00 N/A 0.0 N/A 0 N/A		ANGLES: N/A		Raychem reserves the right to amend this drawing at any time. Users should evaluate the suitability of the product for their application.		DCR NUMBER: D980629		REPLACES: B0516X	
ROUGHNESS IN MICRON						DOC ISSUE: 1	SCALE: None	SIZE: A	SHEET: 1 of 1
DRAWN BY: M. FORONDA		DATE: 06/15/98		PROD. REV.: SEE TAB					

If this document is printed it becomes uncontrolled. Check for the latest revision.