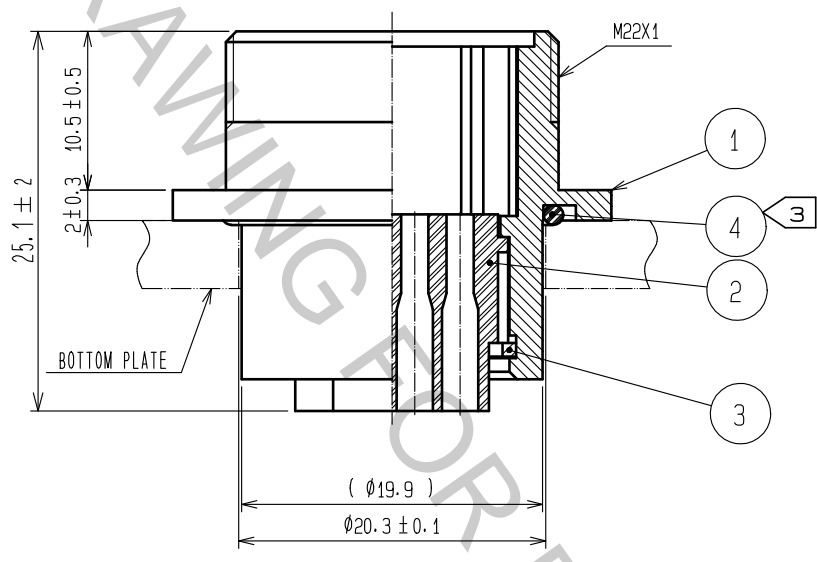
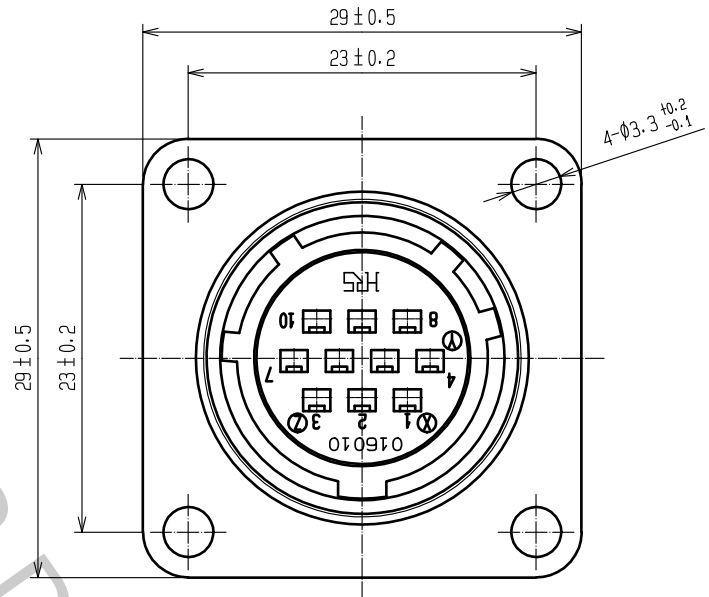


Aug.1.2018 Copyright 2018 HIROSE ELECTRIC CO., LTD. All Rights Reserved.
 In case that the application demands a high level of reliability, such as automotive,
 please contact a company representative for further information.



NOTES 1. APPLICABLE CRIMP CONTACT: JRC-PC2-212(AWG#20 TO 24)
 JRC-PC2-222(AWG#24 TO 28)
 2. APPLICABLE CONTACT REMOVAL TOOL(EXTRACTION TOOL): RM-TP
 ③ WHEN MOUNTED ON CHASSIS, BE CAREFUL THAT REFERENCE NO. ④
 IS FITTED INTO THE INDICATED GROOVE WITHOUT ANY BITING.

2	POLYCARBONATE	(BLACK) UL94V-0	4	ACRYLONITRILE BUTADIENE RUBBER	(BLACK)		
1	ALUMINUM ALLOY	BLACK CHROME PLATING	3	PHOSPHOR BRONZE	NICKEL PLATING		
NO.	MATERIAL	FINISH . REMARKS	NO.	MATERIAL	FINISH . REMARKS		
UNITS		SCALE	COUNT	DESCRIPTION OF REVISIONS	DESIGNED	CHECKED	DATE
mm		2 : 1					
HIROSE ELECTRIC CO., LTD.	APPROVED	HY. KOBAYASHI	18.02.26	DRAWING NO.	EDC-110660-31-00		
	CHECKED	HY. KOBAYASHI	18.02.26	PART NO.	JR16WR-10PC(31)		
	DESIGNED	TH. KAMEYA	18.02.24	CODE NO.	CL114-2130-8-31		
	DRAWN	MK. INOUE	18.02.14				1/1