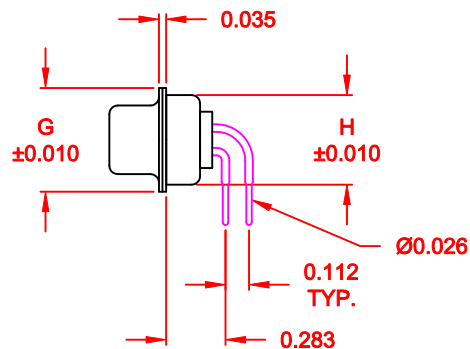
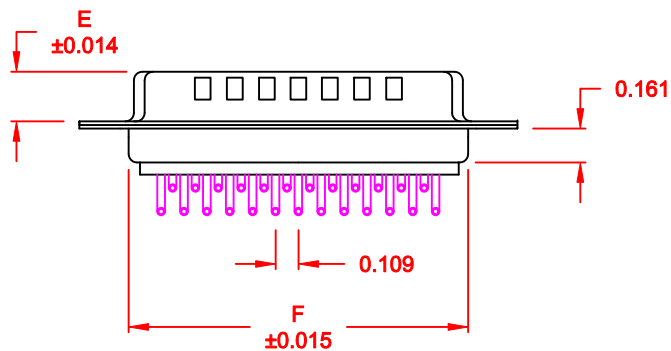
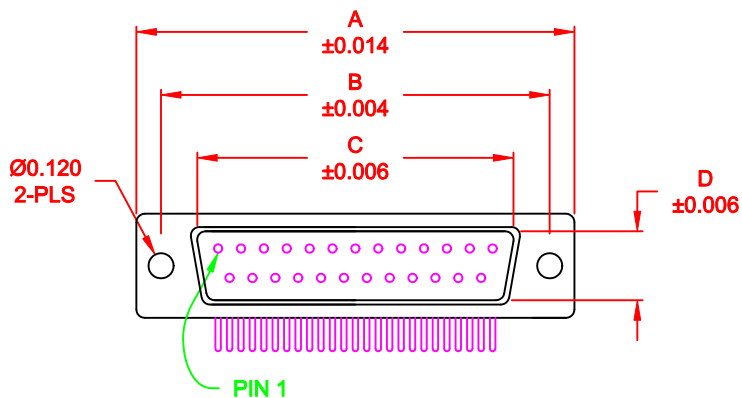


DESCRIPTION: MALE - 0.283 RIGHT ANGLE / MACHINED - ECONOMY



No. OF PINS	DIMENSIONS							
	A	B	C	D	E	F	G	H
9	1.213	0.984	0.666	0.329	0.236	0.756	0.496	0.427
	30.80	24.99	16.92	8.36	5.99	19.20	12.60	10.85
15	1.541	1.312	0.994	0.329	0.236	1.091	0.496	0.427
	39.15	33.32	25.25	8.36	5.99	27.70	12.60	10.85
25	2.087	1.852	1.534	0.329	0.236	1.618	0.496	0.427
	53.00	47.04	38.96	8.36	5.99	41.10	12.60	10.85

773-EYY-1 1 3 R YY 1

- SERIES
- POSITIONS
  - E09
  - E15
  - E25
- GENDER
  - 1 = MALE
- TERMINATION
  - 1 = THROUGH HOLE
- SHELL PLATING
  - 3 = NICKEL (GROUND INDENTS)
- RoHS COMPLIANT
- HARDWARE OPTIONS
  - 00 = NO HARDWARE
  - 01 = .065" CLINCH NUT (BOARD SIDE)
  - 14 = SHORT BRACKET WITH 4-40 SCREW LOCK
- PLATING OPTIONS
  - 1 = GOLD FLASH
  - 2 = 30 MICRO-INCH GOLD

MEETS IP67 STANDARDS

(SEE PAGE 3 FOR SEALING DETAILS)

**MATERIAL:**

- SHELL: STEEL, NICKEL PLATED
- INSULATOR: UL 94V-O RATED, WHITE PA6T
- PROCESS TEMP.: 260° C
- CONTACT: BRASS
- SEALING MATERIAL: F08 FLEXIBLE ADHESIVE

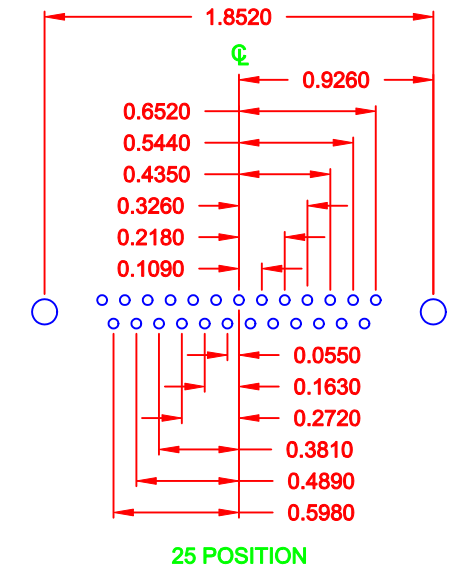
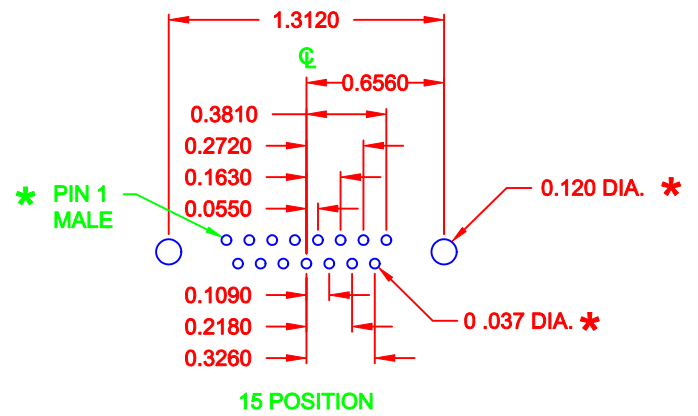
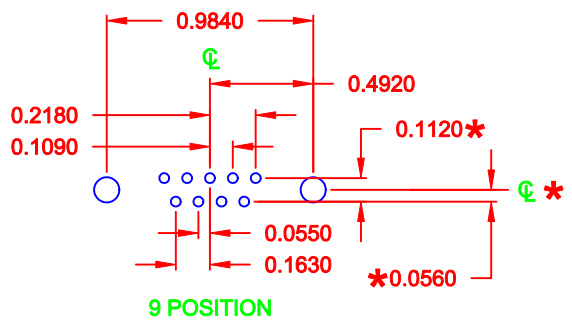
**ELECTRICAL:**

- CURRENT RATING: 5 AMPS
- CONTACT RESISTANCE: 15 mOhms Max.
- INSULATION RESISTANCE: 1,000 MOhms min.
- VOLTAGE: 500VAC FOR 1 MINUTE
- TEMPERATURE: -50° C TO 100° C

RoHS COMPLIANT


DO NOT SCALE FROM DRAWING

	THESE DRAWINGS AND SPECIFICATIONS ARE THE PROPERTY OF NorComp AND SHALL NOT BE REPRODUCED, COPIED OR USED AS THE BASIS FOR THE MANUFACTURE OR SALE OF APPARATUS WITHOUT WRITTEN PERMISSION.		DRAWN: <b>PAM JENKINS</b>	DATE: <b>06-29-09</b>
			CHECKED:	DATE:
<b>NorComp</b>		SCALE: <b>1 : 1</b>	SHEET <b>1</b> OF <b>3</b>	REV <b>5</b>
		DWG NO. <b>773-EYY-113RYY1</b>		



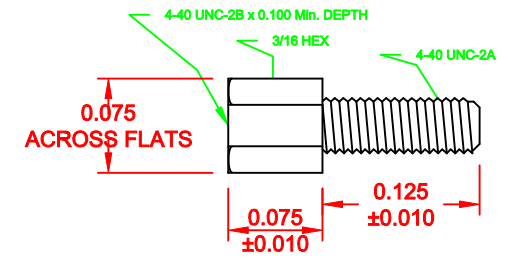
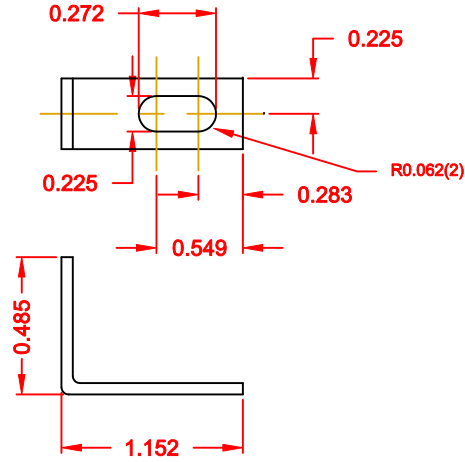
\* TYP. ON ALL SIZES  
UNLESS NOTED OTHERWISE

DO NOT SCALE FROM DRAWING

	THESE DRAWINGS AND SPECIFICATIONS ARE THE PROPERTY OF NorComp AND SHALL NOT BE REPRODUCED, COPIED OR USED AS THE BASIS FOR THE MANUFACTURE OR SALE OF APPARATUS WITHOUT WRITTEN PERMISSION.		DRAWN: <b>PAM JENKINS</b>	DATE: <b>06-29-09</b>
			CHECKED:	DATE:
<h1>NorComp</h1>		SCALE: <b>FULL</b>	SHEET <b>2</b> OF <b>3</b>	REV <b>5</b>
		DWG NO. <b>773-EYY-113RYY1</b>		

# HARDWARE OPTIONS

## 14 = SHORT BRACKET & 4-40 SCREW LOCK

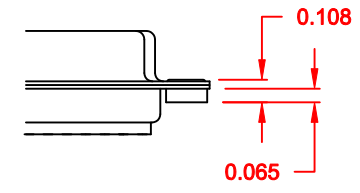


SCREW LOCK

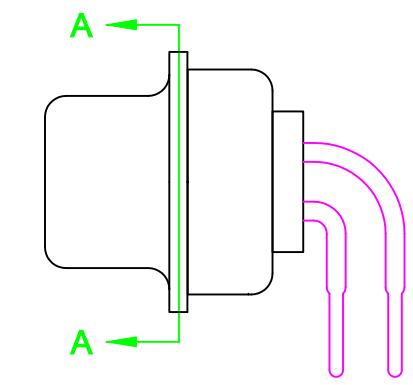
MOUNTING BRACKET

## 01 CLINCH NUT OPTION

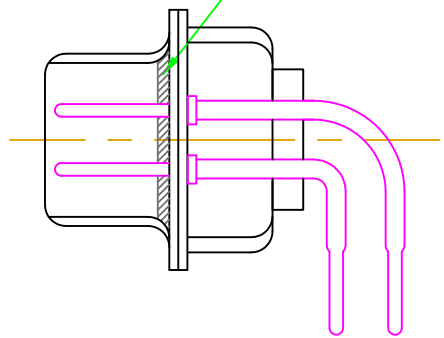
01X ..... 0.065" (BOARD SIDE) - CN1



DO NOT SCALE FROM DRAWING



FRONT SEAL APPLIED OVER INSULATOR AND BETWEEN FRONT & REAR SHELLS



DETAIL A-A

	THESE DRAWINGS AND SPECIFICATIONS ARE THE PROPERTY OF NorComp AND SHALL NOT BE REPRODUCED, COPIED OR USED AS THE BASIS FOR THE MANUFACTURE OF SALE OF APPARATUS WITHOUT WRITTEN PERMISSION.		DRAWN: <b>C. SMITH</b>	DATE: <b>06-10-09</b>
			CHECKED:	DATE:
<h1>NorComp</h1>	SCALE: <b>2.5 : 1</b>	SHEET <b>3</b> OF <b>3</b>	REV <b>5</b>	
	DWG NO. <b>773-EYY-113RYY1</b>			