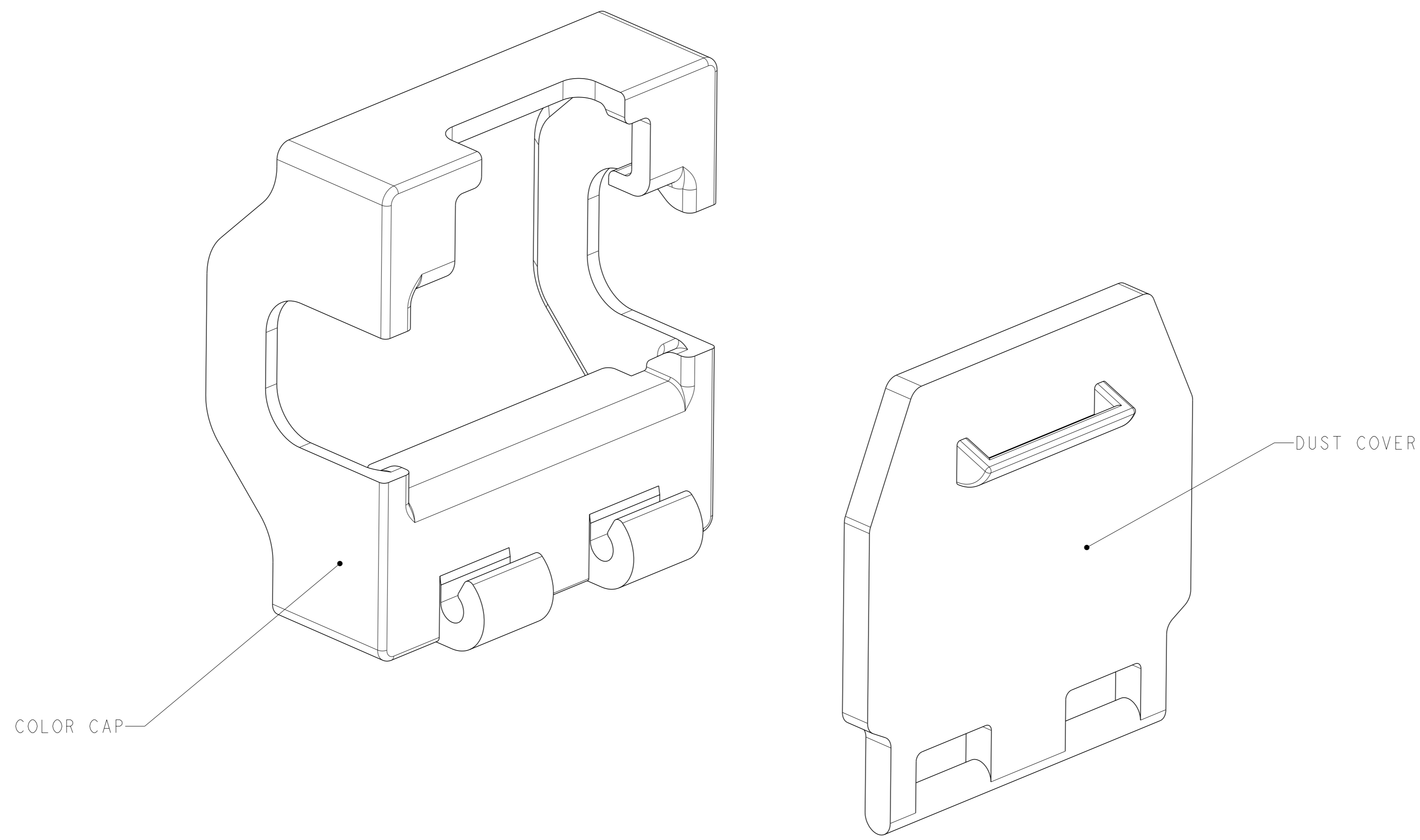


THIS DRAWING IS UNPUBLISHED. RELEASED FOR PUBLICATION 2012  
 © 2016 COMMSCOPE, INC.® CONFIDENTIAL NOTICE: THESE DRAWINGS AND SPECIFICATIONS ARE THE PROPRIETARY PROPERTY OF COMMSCOPE, INC. AND MAY BE USED ONLY FOR THE SPECIFIC PURPOSE AUTHORIZED IN WRITING BY COMMSCOPE, INC.

REVISIONS				
#	DATE	DESCRIPTION	DATE	OWN / APVD
B		REV: 40030175MCO	07JUN2016	GG / LS

- △ MATERIAL: POLYCARBONATE, SEE TABLE FOR COLOR.
- 2. ROHS COMPLIANT.
- 3. MINIMUM ORDER QUANTITY = 50.  
PACKAGED 50 PIECES PER BAG.
- 4. USE WITH UTP AMP-TWIST MODULAR JACKS.



ALPINE WHITE	1-2111244-3
ELECTRIC IVORY	1-2111244-1
VIOLET	1-2111244-0
GREEN	2111244-9
YELLOW	2111244-8
RED	2111244-7
BLUE	2111244-6
ORANGE	2111244-5
GRAY	2111244-4
BLACK	2111244-2
LIGHT ALMOND	2111244-1
△ COLOR	PART NUMBER

THIS DRAWING IS A CONTROLLED DOCUMENT.		OWN: G. GARRETT 19JUL2012	<b>COMMSCOPE, INC.</b> NAME: COLOR CAP WITH DUST COVER, AMP-TWIST JACK PRODUCT SPEC: - APPLICATION SPEC: - SIZE: - CAGE CODE: - DRAWING NO: A100779C=2111244 WEIGHT: - RESTRICTED TO: - SCALE: 10:1 SHEET 1 OF 1 REV B
DIMENSIONS: mm		CHK: S. JONES 19JUL2012	
TOLERANCES UNLESS OTHERWISE SPECIFIED:		APVD: S. JONES 19JUL2012	
0 PLC ± 1 PLC ± 2 PLC ± 3 PLC ± 4 PLC ± ANGLES ° ± FINISH -		CUSTOMER DRAWING	