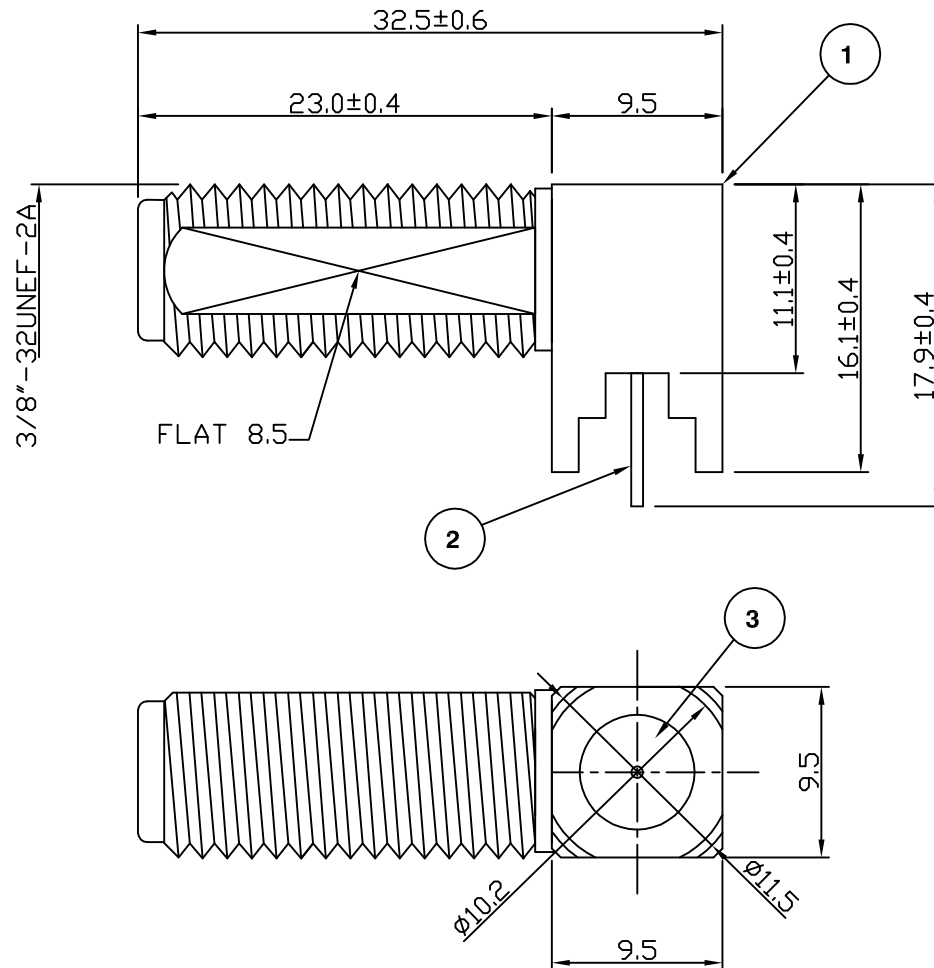


RoHS COMPLIANT



**Electrical Characteristics**

Nominal Impedance: 75 ohms  
 Frequency Range: DC to 2 GHz  
 Operating Voltage (rms): 250 V maximum at sea level

**Mechanical Characteristics**

Mating Cycles: 200 cycles minimum

**Environmental Characteristics**

Temperature Range:  $-55^\circ\text{C}$  to  $+85^\circ\text{C}$

	PART	DESCRIPTION
1	Body	Brass, nickel plated
2	Contact	Brass, nickel plated
3	Dielectric	POM

**NOTE:** PCB Layout: PC5-18  
 Panel Cutout: PCD-7

CAD Issue	SN	2	10 Jun 03
First Issue	CL	1	23 Nov 92
DESCRIPTION OF REVISION	APPVD	ISS	DATE



**Cinch Connectivity Solutions**  
 7-13 Russel Way,  
 Widford Industrial Estate,  
 Chelmsford, Essex,  
 CM1 3AA, UK.  
 Tel: +44 (0) 1245 359515  
 Fax: +44 (0) 1245 358938

SCALE: Not To Scale

DIMENSIONS: mm

TOLERANCES:  
 $\pm 0.2\text{mm}$  unless  
 otherwise stated

DRAWN BY:

S Nash

CHECKED BY:

P Couzens

APPROVED BY:

P Couzens

DATE:

10 Jun 03

TITLE:

**F R/A PCB Mount Jack  
 (long)**

PART NUMBER:

**VF330/L**

PAGE: 1 of 1