

3M™ Active Optical Cable (AOC) Assemblies for CX4 Applications
 Visit <http://www.3Mconnectors.com>

REVISION RECORD		
REV.	ECR/ECN/ECO NUMBER	DATE
A	ECO-0038639	01/02/12
B	ECR/ECO-0043565	28/09/12

NOTES:

- RoHS COMPLIANT. SEE REGULATORY INFORMATION APPENDIX IN "RoHS COMPLIANCE" SECTION AT WWW.3M.COM/INTERCONNECT (E1 & C1 APPLY)
- HOUSING MATERIAL: ZINC ALLOY;
 FINISH: NICKEL PLATING
 CABLE: ORANGE OM2+, PLENUM RATED THERMOPLASTIC, OR
 ORANGE OM2+, LOW SMOKE ZERO HALOGEN RATED THERMOPLASTIC (LSZH)

3. ORDERING INFORMATION:

6A44-B04X1-XXX.0-0

STANDARD LENGTHS:

1m INCREMENTS FROM 2m TO 30m,
 35m,40m,45m,50m,60m,70m,80m,
 90m,100m

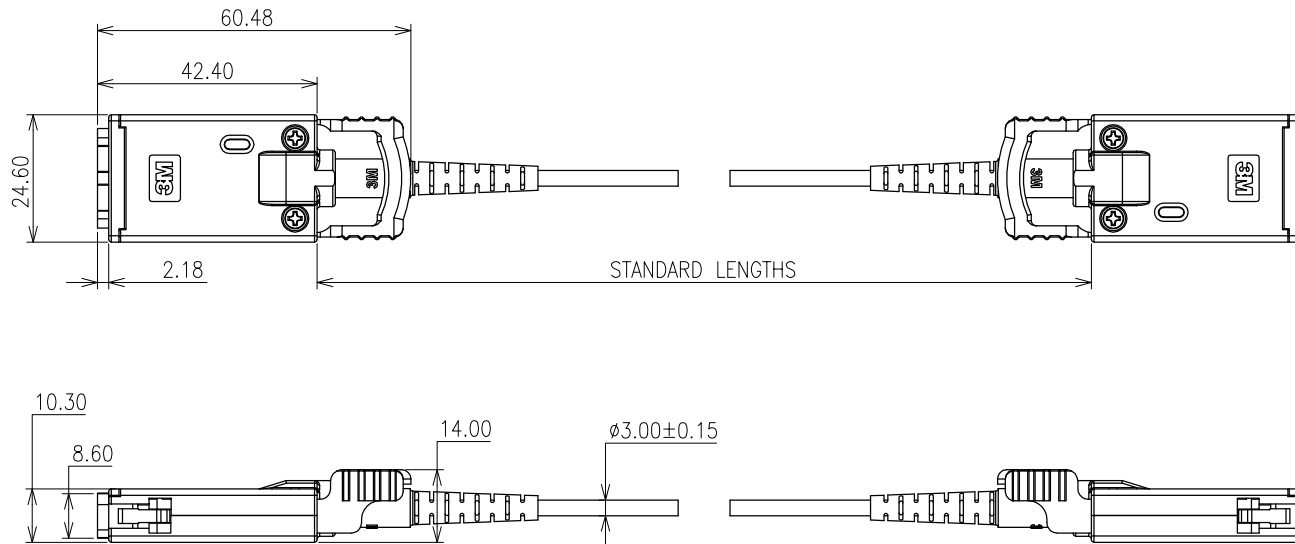
CABLE TYPE:

- PLENUM
- LOW SMOKE ZERO HALOGEN (LSZH)

example: PART NUMBER & DESCRIPTION

6A44-B0421-003.0-0

(AOC,CX4-CX4,DDR,4CH,PLENUM,OM2+,3m)



CABLE LENGTH	TOLERANCE
<10m	+40cm/-20cm
10m to 50m	+40cm/-30cm
>50m	+40cm/-50cm

UNIT: MM	DFTG OH KIM CHYE	DATE 28/09/12		DIVISION ESD	STATUS RELEASED
GEN. TOLERANCES	CHKD SAJJIT BANDHU	DATE 28/09/12		MODEL	
LINEAR .0 = ± 0.20 .00 = ± 0.10 .000 = ± 0.05	APPVL ALAN ANG	DATE 28/09/12	TITLE AOC, CX4-CX4, DDR, 4CH, OPTICAL CABLE		
ANGLE ±0.5°	THIS DOCUMENT CONTAINS INFORMATION WHICH IS PROPRIETARY TO 3M COMPANY. NO REPRODUCTION OR PUBLICATION OF THIS DOCUMENT, IN WHOLE OR IN PART, SHALL BE MADE WITHOUT AUTHORIZATION FROM 3M. ©3M 2012. ALL RIGHTS RESERVED.		SIZE A3	DRAWING NO. 78-5100-2496-7	REV B
PROJECTION	INTERPRET PER ASME Y14.5M-1994	SCALE : 1:1		DET LIST <input type="checkbox"/> YES <input type="checkbox"/> NO	SHT 1 of 1
	CRITICAL DIMENSION:				