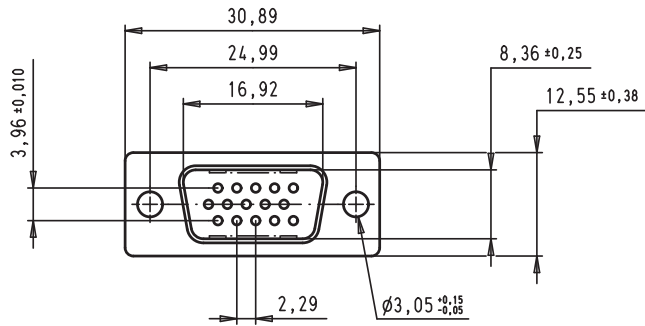
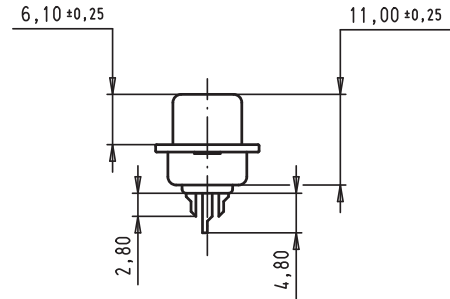
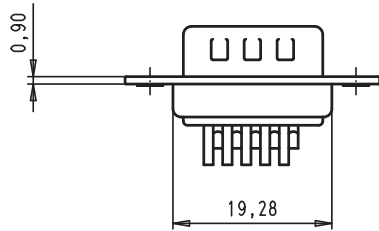




Alle Rechte vorbehalten/ All rights reserved



Entry hole type : stamped contact



09 56 100 5615.050	Gold plating: 0,76 $\mu$ m
Part number	Index designation

				Det.	Name	 All Dim. in mm Orig. Size DIN A 4	D-Sub, High Density, black, male, straight, 15 poles, solder pins and solder cups, tin plated shell with dimples and holes	Maßstab/ Scale 1,5:1
			Detail.	14/02/07	PK			
			Insp.					
			Stand.					
33938	14/02/07	PK	HARTING EURL F-95972 Paris				<b>TB 09 56 100 5615</b> Sub.	Blatt/ Page 1 / 1
Mod.	Det.	Name						