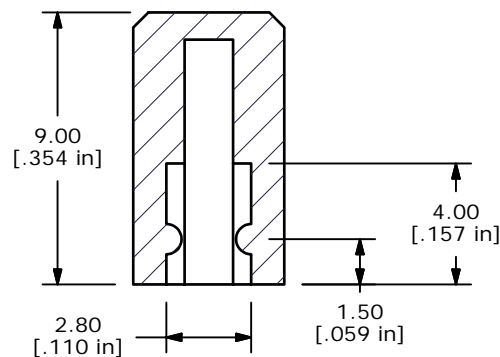
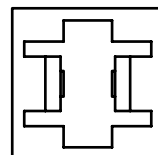


ISOMETRIC



SECTION A-A
SCALE 4 : 1



NOTES:

1. ALL DIMENSIONS IN MM [INCH]
2. GENERAL TOLERANCE: X.XX=± 0.15
- ▲3. MATERIAL: ABS, UL94V0
- ▲4. COLOR: BLUE, PANTONE 299C
5. ▲ DENOTES CRITICAL PARAMETER.

C	15383	CHANGED PANTONE 299C FROM 2925C	10/12/05	PH	E-SWITCH[®]				
B	15250	REVISED DESCRIPTION	9/8/05	PH					
A	15180	RELEASED FOR PRODUCTION	8/23/2005	PH	TITLE 1SBLU				
REV	PCR NO	DESCRIPTION	DATE	BY	SCALE	DATE	DR	DWG	REV
<small>THE INFORMATION CONTAINED IN THIS DOCUMENT IS PROPRIETARY TO E-SWITCH AND IS NOT TO BE COPIED OR TRANSFERRED</small>					4:1	8/23/2005	PH	Q800315	C