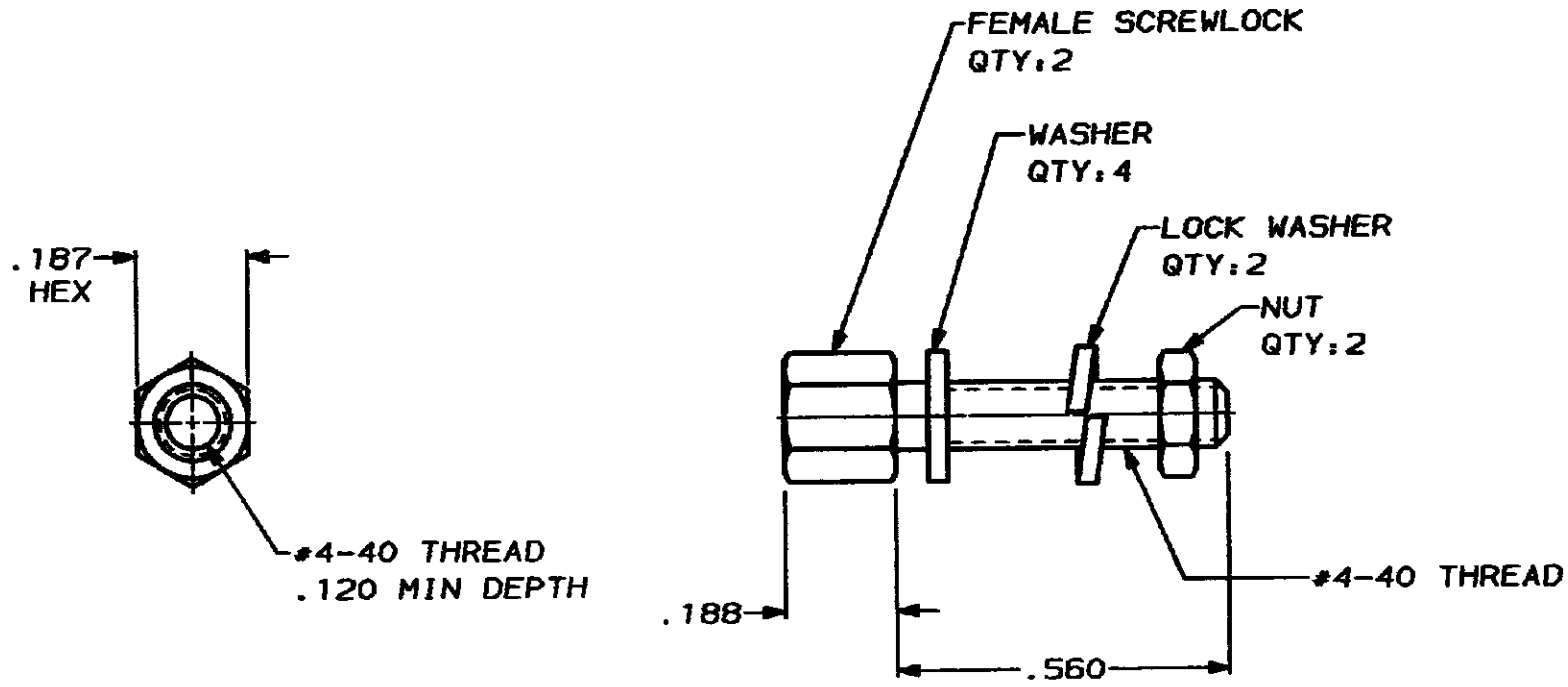


DRAWING MADE IN THIRD ANGLE PROJECTION

THIS DRAWING IS UNPUBLISHED. RELEASED FOR PUBLICATION .19
© COPYRIGHT 19 BY AMP INCORPORATED. ALL INTERNATIONAL RIGHTS RESERVED.

MOD 8 LOC BD DIST 39

REVISIONS				
ZONE	LTR	DESCRIPTION	DATE	APPO
✓	B	REDRAWN ON CAD	4-12-88	-



- 1 ZINC PLATED PER ASTM B633, TYPE II, CLASS SCI, YELLOW CHROMATE.
- 2 ZINC PLATED PER ASTM B633, TYPE III, CLASS SCI, CLEAR CHROMATE.
- 3. PARTS PACKAGED UNASSEMBLED.
- 4 PARTS PACKAGED AS A UNIT KIT.
- 5 PARTS INDIVIDUALLY BULK PACKED & SHIPPED AS A UNIT PACKAGE.

PACKAGING	FINISH	PART NUMBER
5	2	207719-4
4	2	207719-3
5	1	207719-2
4	1	207719-1

DO NOT SCALE PRINT. DIMENSIONS UNLESS SPECIFIED DIMENSIONS IN INCHES TOLERANCES ON: 2 PLG DEC ± .005 3 PLG DEC ± .003 ANGLES ± .5		AMP INCORPORATED Harrisburg, Pa. 17105	
MATERIAL COLD ROLLED STEEL PER ASTM A108		SCREWLOCK FEMALE ASSEMBLY, AMPLIMITE™ HD-20	
FINISH SEE TABLE		SIZE B	DRAWING NO 207719
APPLICATION SPEC -		FSCH NO 00779	SHEET 1 OF 1
WEIGHT -		SCALE 4:1	

CUSTOMER DRAWING