

PART
NAME

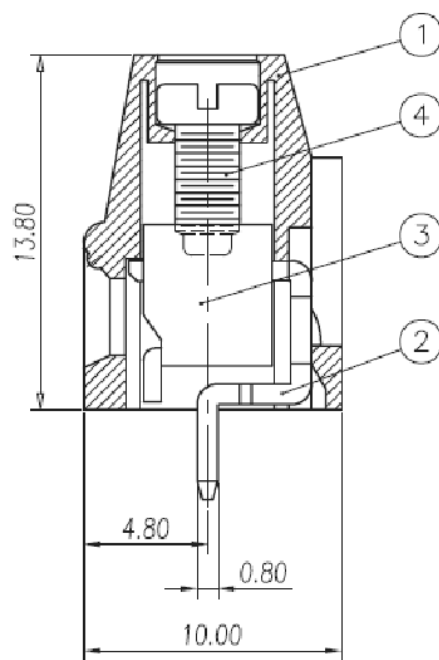
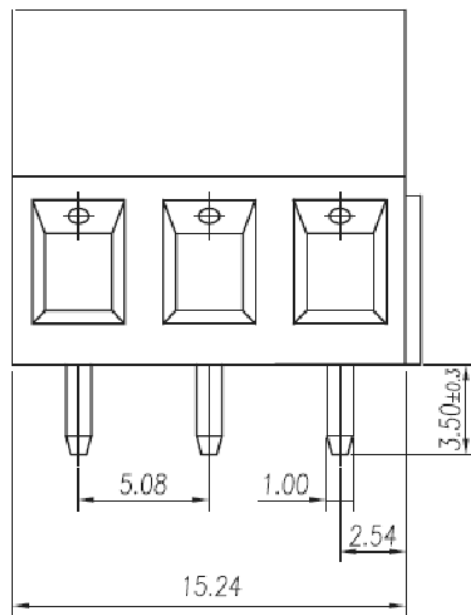
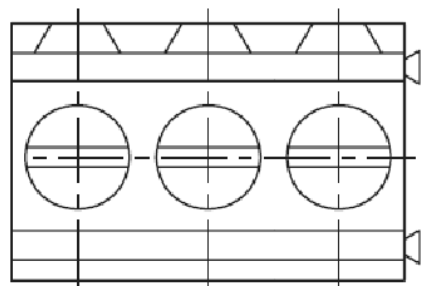
TERMINAL CONNECTOR

PART
No.

DMB-4770-T3

REV.
DATE

8-2-12



NOTES:

1. Rating: 300V 20A (IEC 250V 24A)
PITCH: 5.08mm
2. Insulation Withstands Voltage:
AC 2000V at 1 minute
3. Insulation Resistance:
500M Ω or more at DC500V
4. Using Temperature Range:
-40°C~+105°C
5. Suitable Electric Wire:
24~12AWG(IEC 0.5~2.5mm²)
6. Torque Value: 4 kg-cm
7. RoHS compliance

Dimensions in mm.