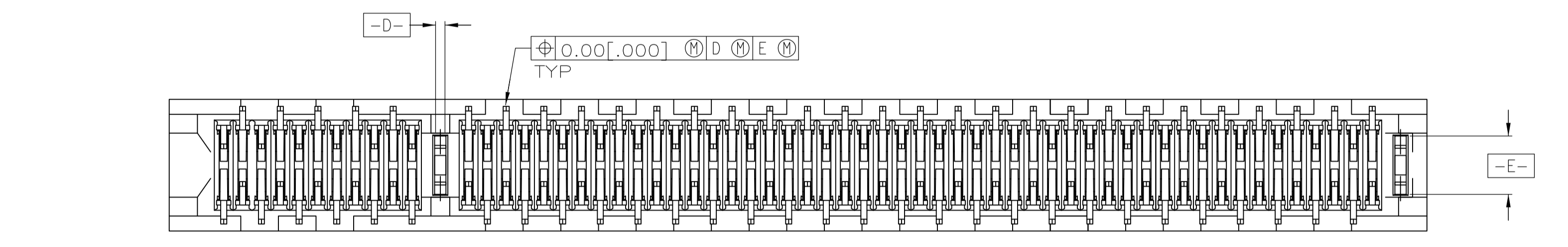
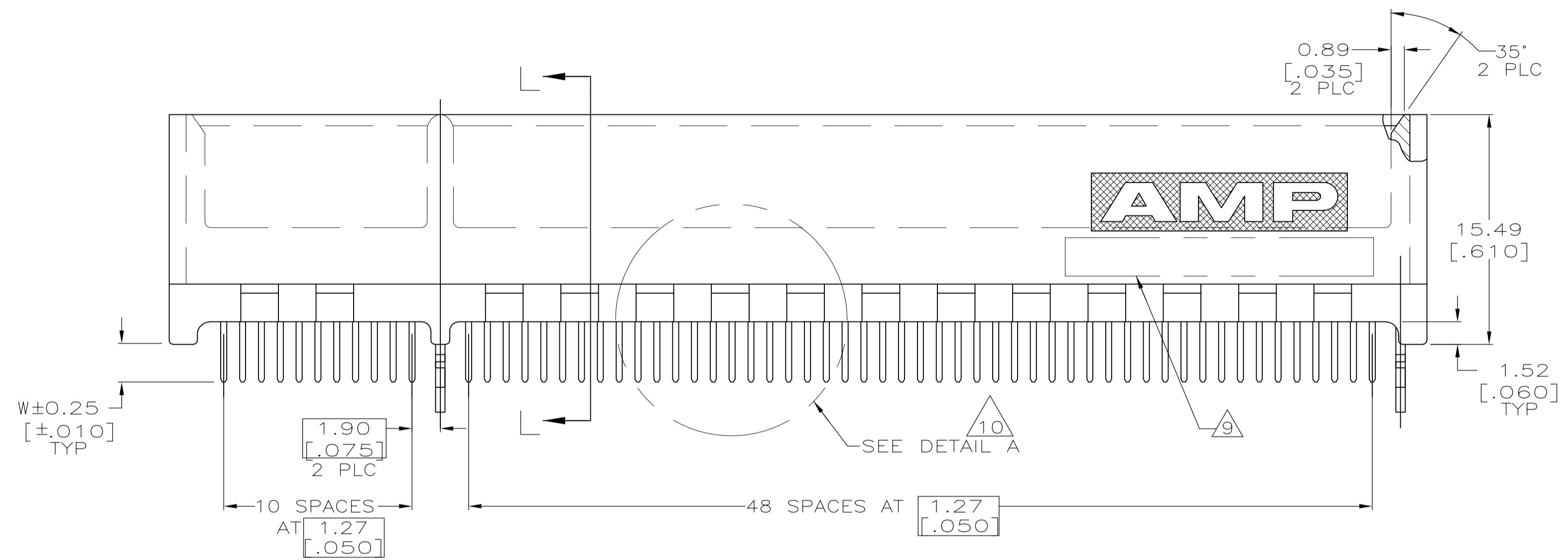
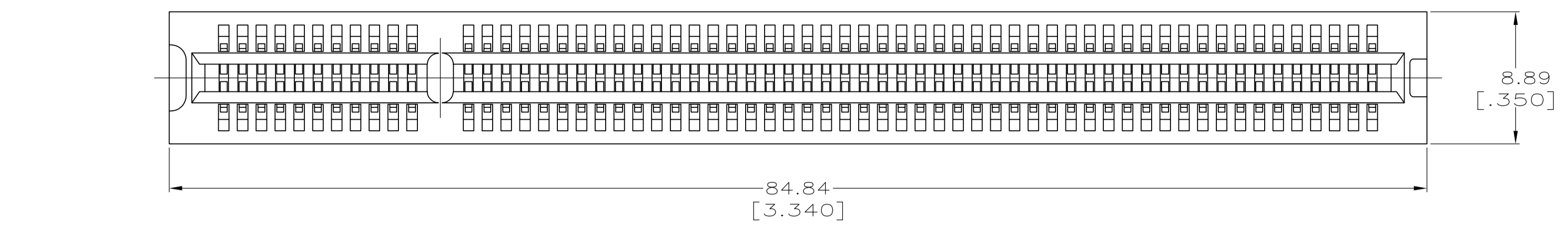
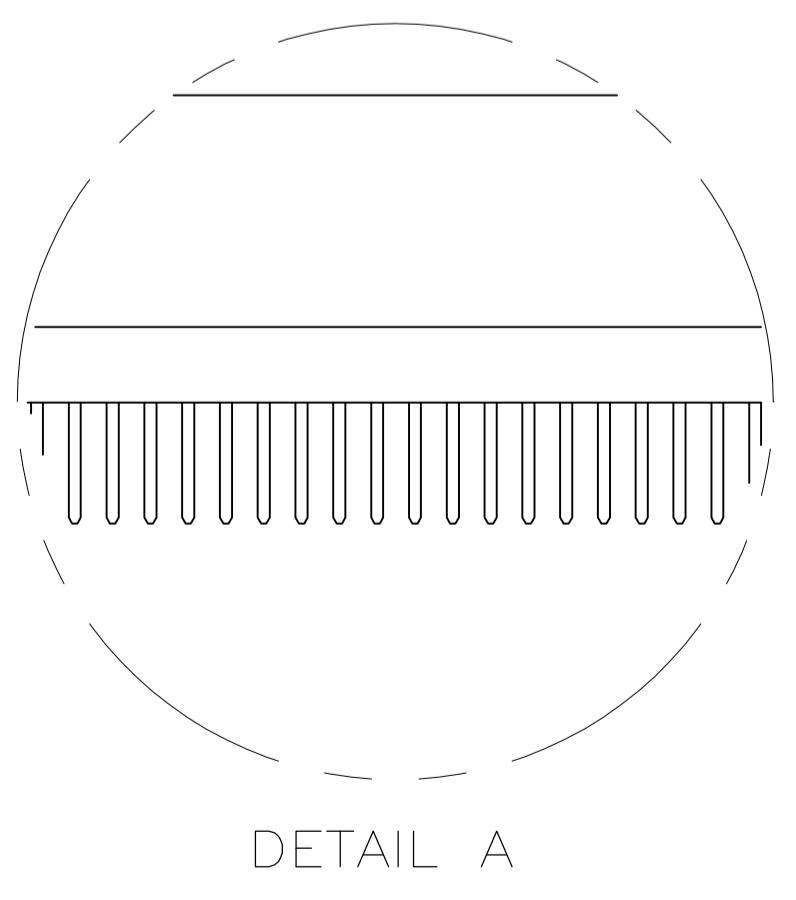


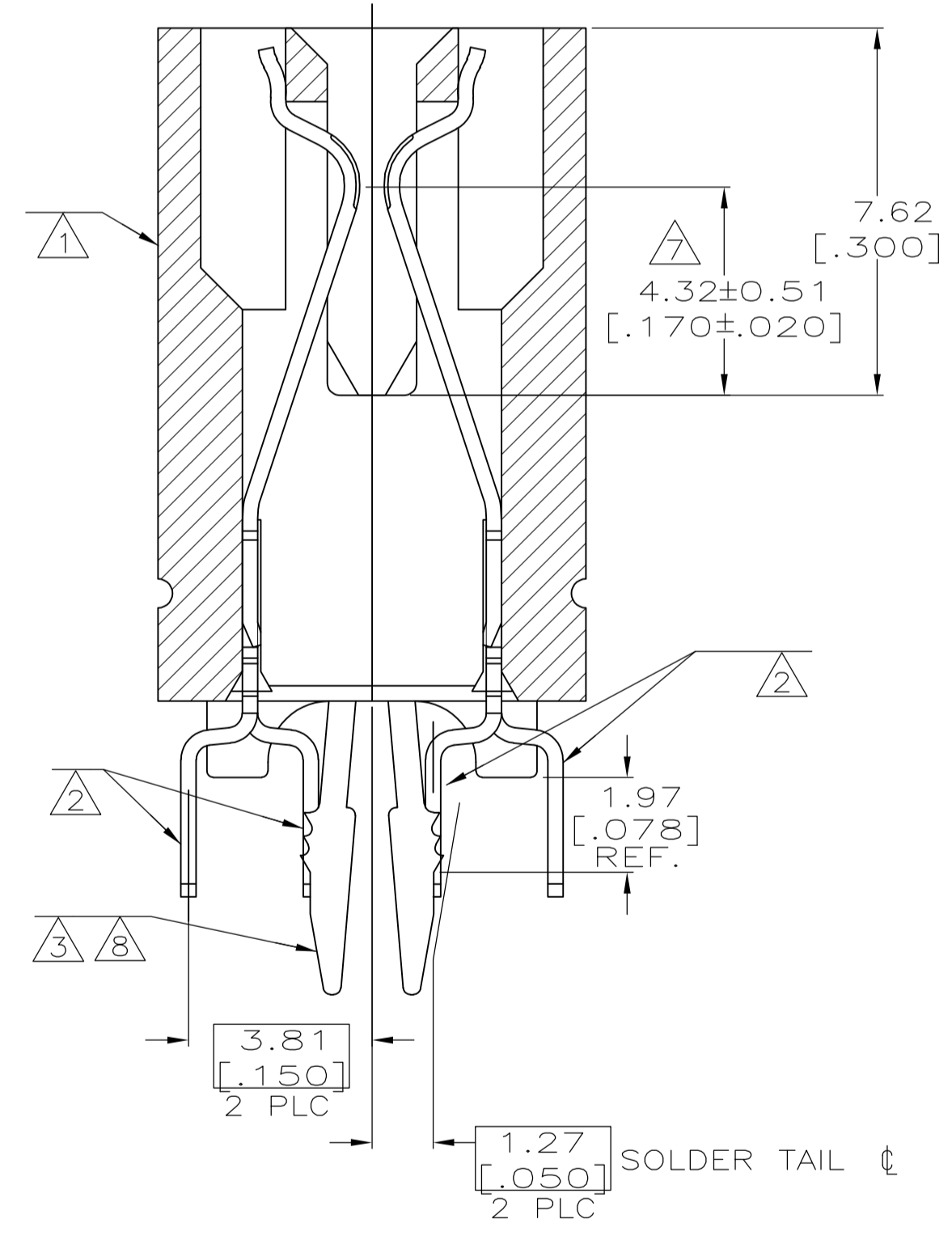
LOC		DIST		REVISIONS			
AA	00	REV	DESCRIPTION	DATE	BY	APPV	
H		ECO-06-010778		12AUG06	LAM	AWF	
H1		REVISED PER ECO-09-021826		11SEP09	KK	AEG	



SEE SHEET 2 FOR HOLE PATTERN



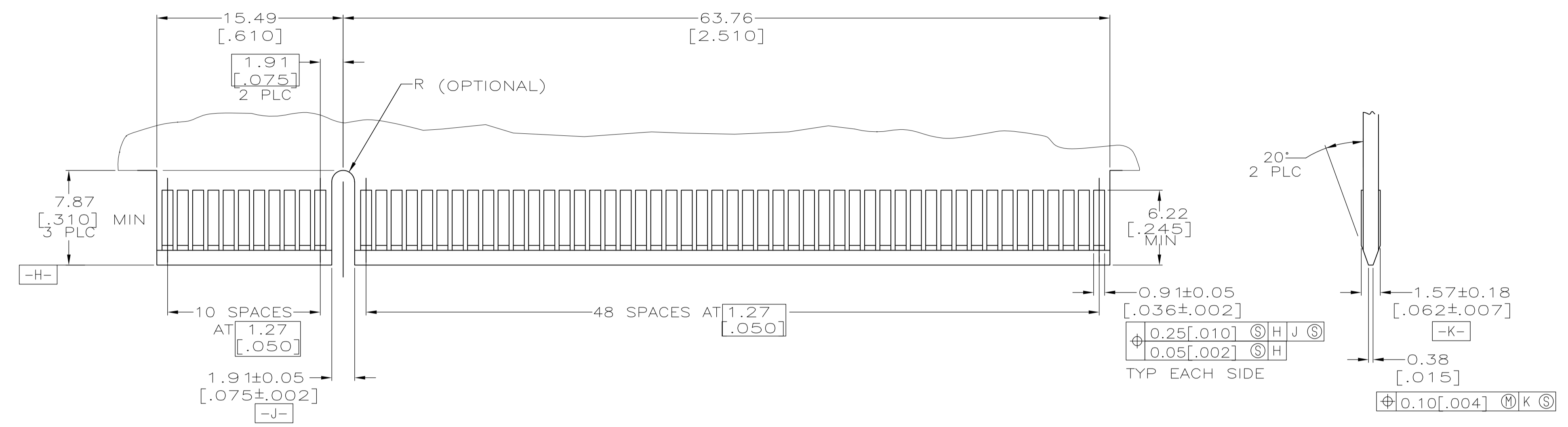
- 1 HOUSING: HIGH TEMPERATURE THERMOPLASTIC. COLOR - NATURAL
- 2 CONTACT: PHOSPHOR BRONZE.
- 3 METAL HOLD DOWN: BRASS
- 4 CONTACT FINISH: .001269[.000050] MIN NICKEL ALL OVER. GOLD FLASH OVER NICKEL IN CONTACT AREA. .002537[.000100] MIN TIN-LEAD OVER NICKEL ON SOLDER TAILS.
- 5 CONTACT FINISH: .001269[.000050] MIN NICKEL ALL OVER. .000375[.000015] GOLD OVER NICKEL IN CONTACT AREA. .002537[.000100] MIN TIN-LEAD OVER NICKEL ON SOLDER TAILS.
- 6 CONTACT FINISH: .001269[.000050] MIN NICKEL ALL OVER. .000757[.000030] GOLD OVER NICKEL IN CONTACT AREA. .002537[.000100] MIN TIN-LEAD OVER NICKEL ON SOLDER TAILS.
- 7 DISTANCE FROM CONTACT POINT TO BOTTOM OF CARD SLOT.
- 8 METAL HOLD DOWN FINISH: .001269[.000050] MIN NICKEL ALL OVER. .003809[.000150] MIN TIN-LEAD ALL OVER.
- 9 AMP PART NUMBER, DATE CODE AND CSA LOGO MARKED IN APPROXIMATE LOCATION SHOWN.
- 10 CORED OR SOLID SIDE WALLS ARE AT DISCRETION OF AMP INCORPORATED.
- 11 OBSOLETE PARTS: OBSOLETE CIS STREAMLINING PER D.RENAUD/D.SINISI



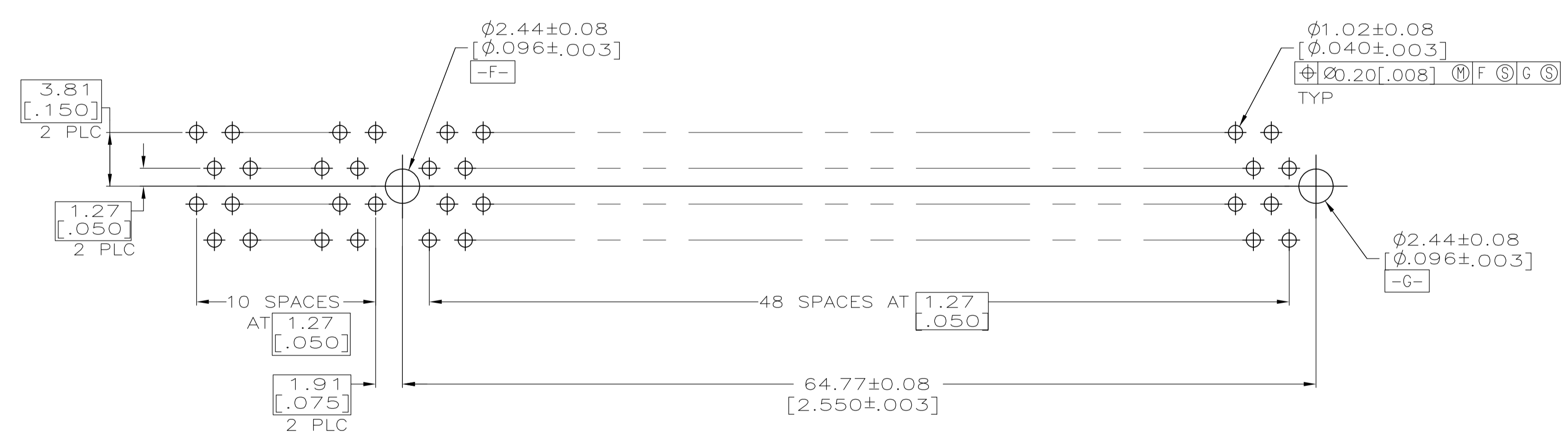
SECTION L-L  
SCALE 8:1

REV	DESCRIPTION	DATE	BY	APPV
1	OBSOLETE	4.70 [.185]		1-145167-3
2	OBSOLETE	3.56 [.140]		1-145167-2
3	SUPERSEDED BY 5145167-8	3.18 [.125]		-145167-8
4	OBSOLETE	2.54 [.100]		145167-4
5	OBSOLETE	2.54 [.100]		145167-3
6	OBSOLETE	2.54 [.100]		145167-2
7	OBSOLETE	2.54 [.100]		145167-1

THIS DRAWING IS A CONTROLLED DOCUMENT.		DIN R BROWN 6/9/95		Tyco Electronics Corporation Harrisburg, Pa 17105-3608	
DIMENSIONS: mm		CHK M BOWERS 6/9/95		NAME	
TOLERANCES UNLESS OTHERWISE SPECIFIED:		APVD	PRODUCT SPEC		
0 PLC ± -	1 PLC ± -	108-14034			
2 PLC ± 0.25 [.01]	3 PLC ± 0.127 [.005]	APPLICATION SPEC			
4 PLC ± -	ANGLES ± -	SIZE 114-26012		SCALE CODE	DRAWING NO
MATERIAL		WEIGHT		A1 00779 C=145167	
FINISH		CUSTOMER DRAWING		SCALE 4:1	SHEET 1 OF 2



RECOMMENDED MATING BOARD EDGE CONFIGURATION



RECOMMENDED CONNECTOR MOUNTING HOLE PATTERN  
(CONNECTOR SIDE SHOWN)

THIS DRAWING IS A CONTROLLED DOCUMENT.		DIN	R BROWN	6/9/95		Tyco Electronics Corporation
		CHK	M BOWERS	6/9/95		Harrisburg, Pa 17105-3608
DIMENSIONS:	TOLERANCES UNLESS OTHERWISE SPECIFIED:	APVD		NAME		
mm	0 PLC ± - 1 PLC ± - 2 PLC ± 0.25 [.01] 3 PLC ± 0.127 [.005] 4 PLC ± - ± α ANGLES ± - ± α	PRODUCT SPEC		CONNECTOR ASSEMBLY, 60 DUAL POSITION,		
		APPLICATION SPEC		108-14034		
		MATERIAL		114-26012		
		FINISH		A1 00779 C=145167		
		WEIGHT		CUSTOMER DRAWING		
		SCALE		4:1		
		SHEET		2 OF 2		
		REV		H1		