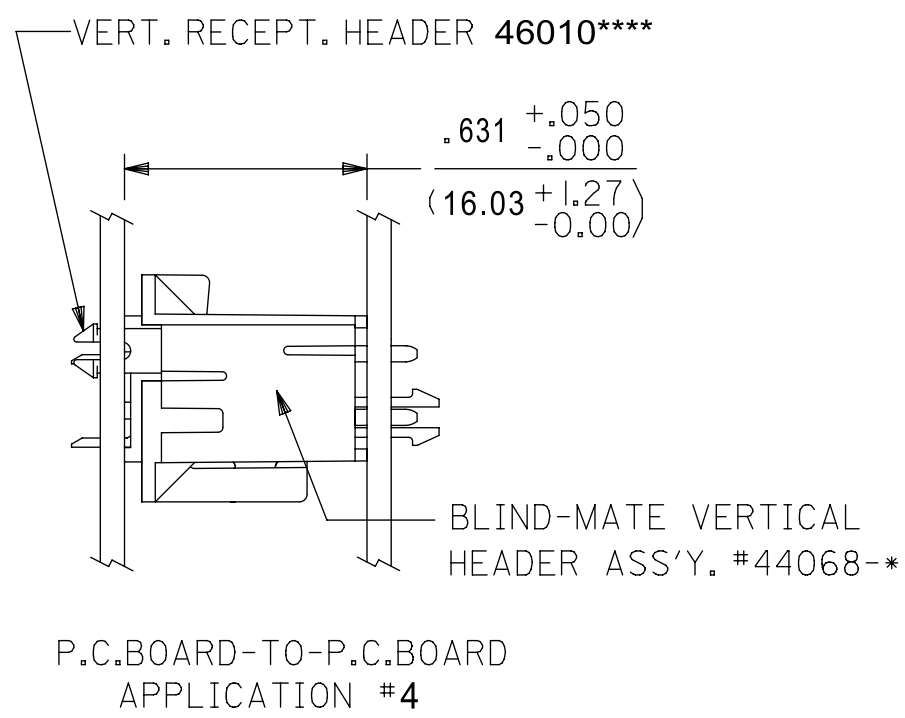
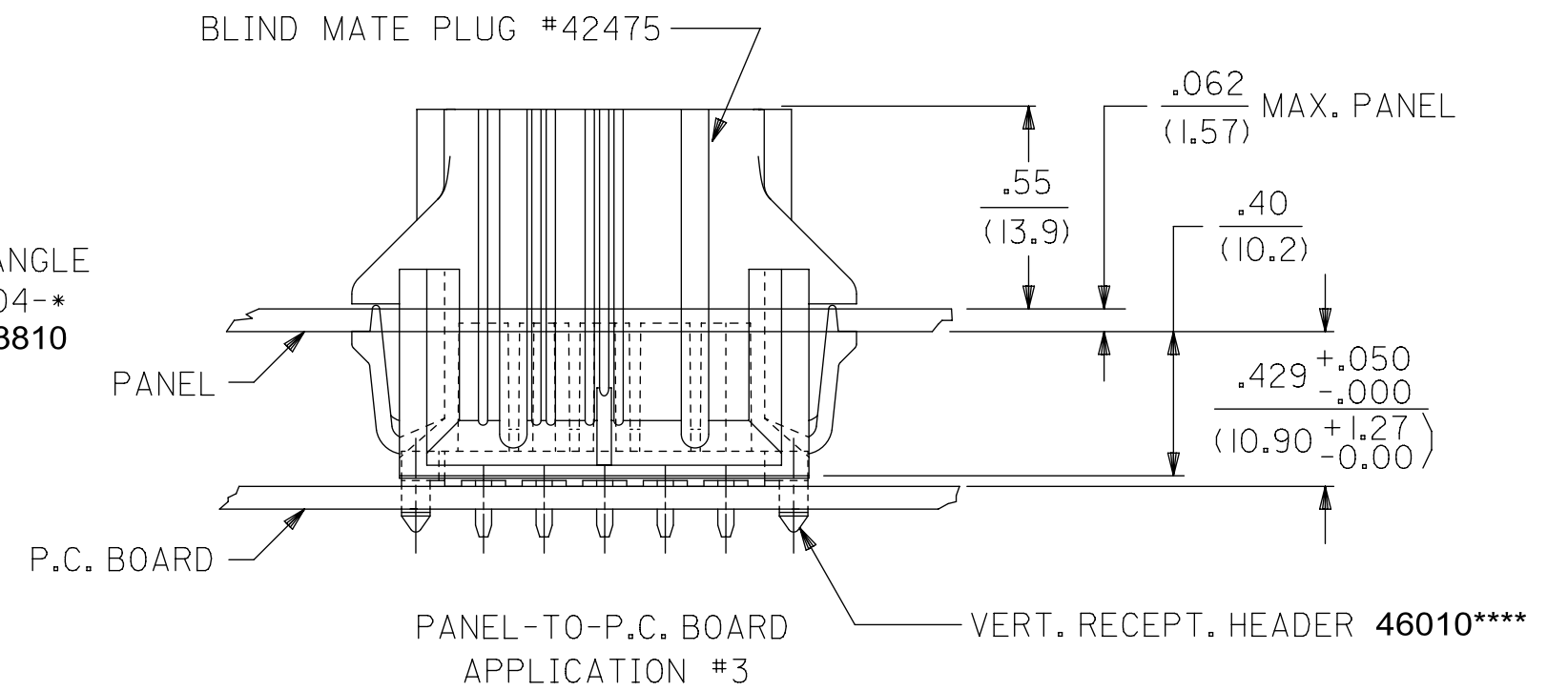
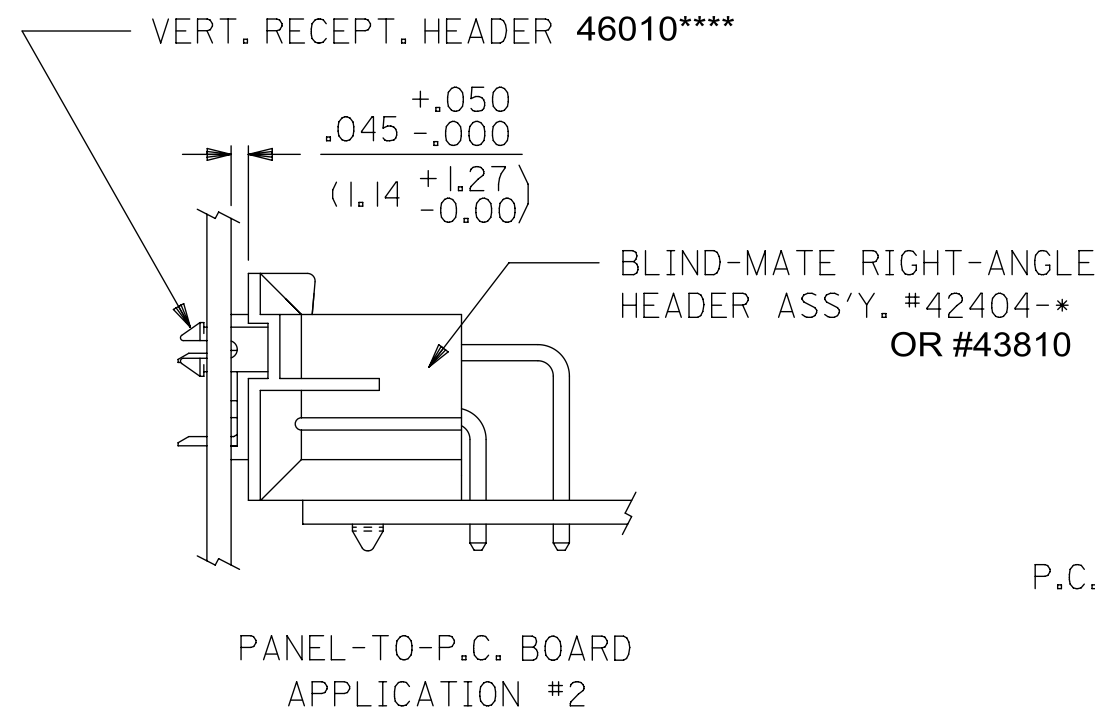
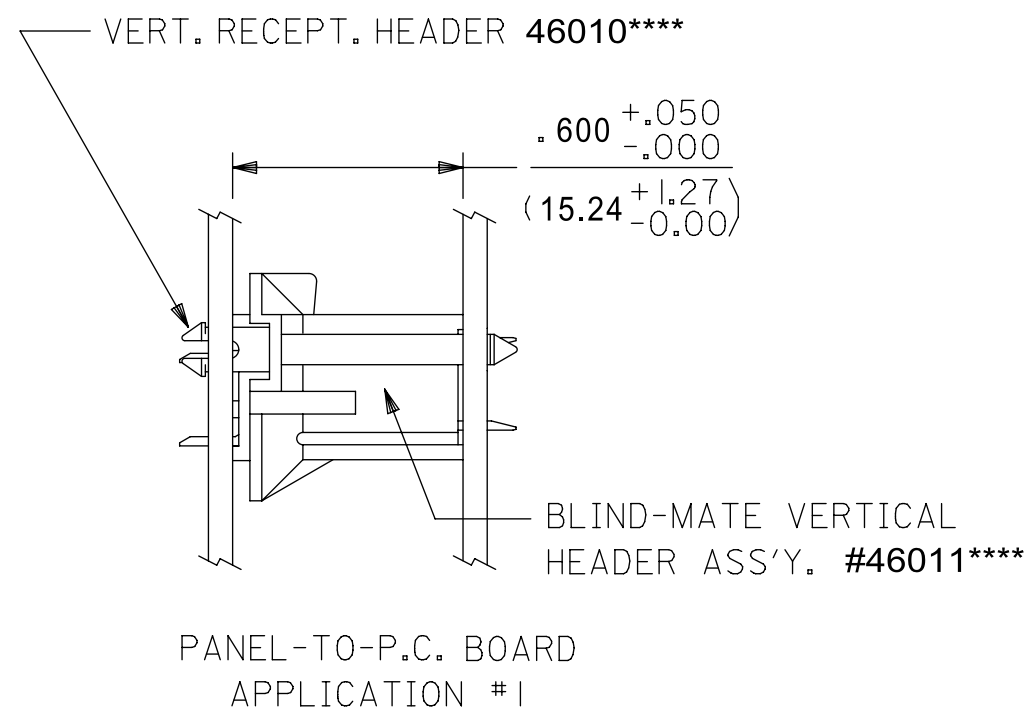


**ALIGNMENT TOLERANCES FOR .100 MAX. BOARD-TO-BOARD MISALIGNMENT**

(NO CONNECTOR FLOAT)



<b>QUALITY SYMBOLS</b> 	THIS DRAWING CONTAINS INFORMATION THAT IS PROPRIETARY TO MOLEX ELECTRONIC TECHNOLOGIES, LLC AND SHOULD NOT BE USED WITHOUT WRITTEN PERMISSION														
	<b>CONVERT TO NX</b> EC NO: 105751 DRWN: CSLAFTER CHKD: JBELL REV / APPR: FSMITH	GENERAL TOLERANCES (UNLESS SPECIFIED)				DIMENSION UNITS <b>IN/MM</b>		SCALE <b>4:1</b>							
		MM		INCH		DRWN BY		DATE							
		4 PLACES ±		±		TGREGORI		2005/08/30		<b>VERTICAL RECEPTACLE HEADER ASSEMBLY, BMI MINI-FIT PLUS HCS SERIES</b>					
		3 PLACES ±		± 0.01		CHK'D BY		DATE							
		2 PLACES ±		± 0.25 ± 0.015		JCOMERCI		DATE							
	1 PLACES ±		± 0.38 ±		APPR BY		DATE		<b>PRODUCT CUSTOMER DRAWING</b>						
	0 PLACES ±		±		JCOMERIC		DATE								
	ANGULAR TOL ± 0.5				DRAWING SIZE		THIRD ANGLE PROJECTION		SERIES		MATERIAL NUMBER		CUSTOMER		
	DRAFT WHERE APPLICABLE MUST REMAIN WITHIN DIMENSIONS				<b>C</b>				46010		SEE SHEET 3		GENERAL MARKET		
								DOCUMENT NUMBER		DOC TYPE		DOC PART		SHEET NUMBER	
								SD-46010-001		PSD		000		2 OF 3	

12		11		10		9		8		7	
ITEM NUMBER		CKT. SIZE	HOUSING MATERIAL	PLATING (SEE NOTE 2)		ITEM NUMBER		CKT. SIZE	HOUSING MATERIAL	PLATING (SEE NOTE 2)	
*	460100211	2	94V-2	1		*	460100222	2	94V-0	2	
	↑ 0411	4	↑	↑			↑ 0422	4	↑	↑	
	0611	6					0622	6			
*	0811	8				*	0822	8			
	1011	10					1022	10			
*	1211	12				*	1222	12			
	1411	14					1422	14			
	1611	16					1622	16			
	1811	18					1822	18			
*	2011	20				*	2022	20			
*	↓ 2211	22	↓	↓		*	↓ 2222	22	↓	↓	
	460102411	24	94V-2	1			460102422	24	94V-0	2	
*	460100221	2	94V-0	1		*	460100212	2	94V-2	2	
	↑ 0421	4	↑	↑			↑ 0412	4	↑	↑	
	0621	6					0612	6			
*	0821	8				*	0812	8			
	1021	10					1012	10			
*	1221	12				*	1212	12			
	1421	14					1412	14			
	1621	16					1612	16			
	1821	18					1812	18			
*	2021	20				*	2012	20			
*	↓ 2221	22	↓	↓		*	↓ 2212	22	↓	↓	
	460102421	24	94V-0	1			460102412	24	94V-2	2	

\* CONSULT FACTORY FOR AVAILABILITY

<b>QUALITY SYMBOLS</b> 	THIS DRAWING CONTAINS INFORMATION THAT IS PROPRIETARY TO MOLEX ELECTRONIC TECHNOLOGIES, LLC AND SHOULD NOT BE USED WITHOUT WRITTEN PERMISSION											
	CONVERT TO NX EC NO: 105751 DRWN: CSLAFTER CHKD: JBELL REV   APPR: FSMITH				2016/06/13 2016/07/15 2016/07/22		GENERAL TOLERANCES (UNLESS SPECIFIED)		DIMENSION UNITS <b>IN/MM</b>		SCALE <b>4:1</b>	
			4 PLACES ±    ±		DRWN BY <b>TGREGORI</b>		DATE <b>2005/08/30</b>					
			3 PLACES ±    ± 0.01		CHK'D BY <b>JCOMERCI</b>		DATE					
			2 PLACES ± 0.25 ± 0.015		APPR BY <b>JCOMERIC</b>		DATE		VERTICAL RECEPTACLE HEADER ASSEMBLY, BMI MINI-FIT PLUS HCS SERIES			
			1 PLACES ± 0.38 ±		DRAWING SIZE <b>C</b>		THIRD ANGLE PROJECTION		PRODUCT CUSTOMER DRAWING			
			0 PLACES ±    ±		ANGULAR TOL ± 0.5				SERIES    MATERIAL NUMBER    CUSTOMER <b>46010</b> <b>SEE SHEET 3</b> <b>GENERAL MARKET</b>			
			DRAFT WHERE APPLICABLE MUST REMAIN WITHIN DIMENSIONS						DOCUMENT NUMBER    DOC TYPE    DOC PART    SHEET NUMBER <b>SD-46010-001</b> <b>PSD</b> <b>000</b> <b>3 OF 3</b>			