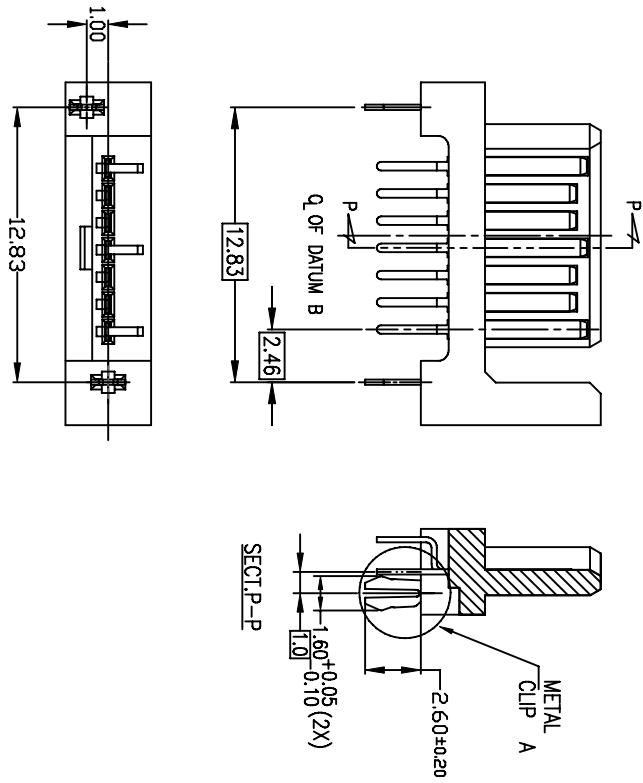
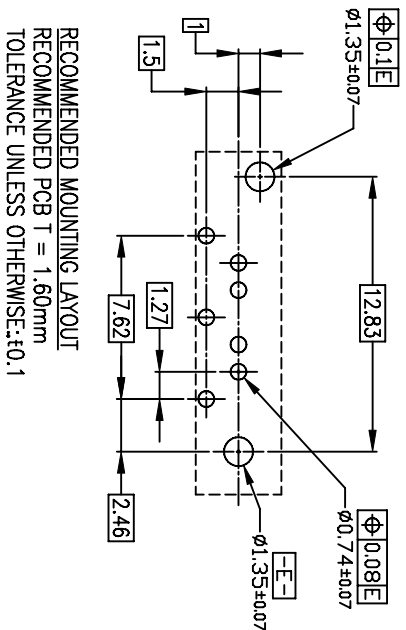
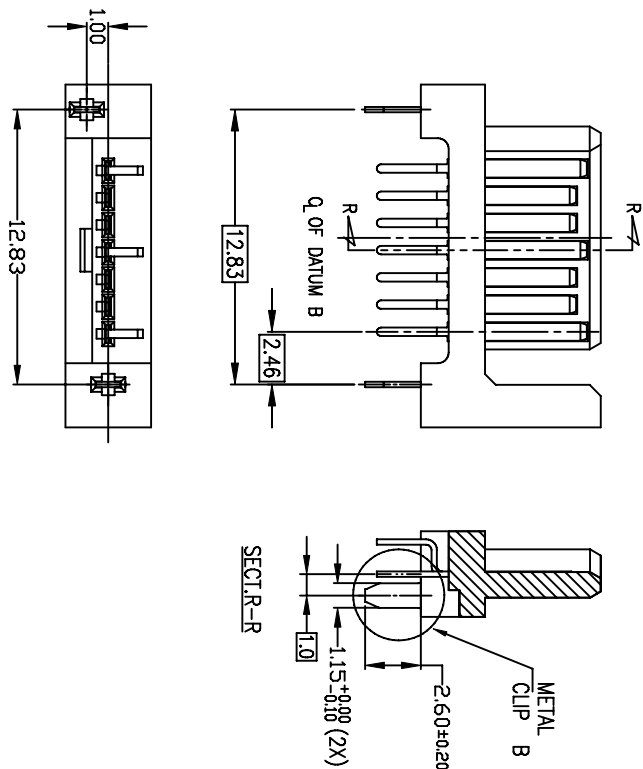




PRODUCT NO.	PLATING AT CONTACT PT	HOUSING COLOR	PLATING AT SOLDERTAIL	HOLD DOWN
59333-002LF	0.38um/ 15u" min	BLACK	For part : 59333-xxx (CANCEL)	METAL CLIP A
59333-102LF	0.38um/ 15u" min	BLUE		
59333-022LF	0.076um/ 3u" min	BLACK	For Leadfree part 59333-xxxLF	
59333-122LF	0.076um/ 3u" min	BLUE	Refer Note 3b & 5	



PRODUCT NO.	PLATING AT CONTACT PT	HOUSING COLOR	PLATING AT SOLDERTAIL	HOLD DOWN
59333-003LF	0.38um/ 15u" min	BLACK	For part : 59333-xxx (CANCEL)	METAL CLIP B
59333-103LF	0.38um/ 15u" min	BLUE		
59333-023LF	0.076um/ 3u" min	BLACK	For Leadfree part 59333-xxxLF	
59333-123LF	0.076um/ 3u" min	BLUE	Refer Note 3b & 5	



RECOMMENDED MOUNTING LAYOUT
RECOMMENDED PCB T = 1.60mm
TOLERANCE UNLESS OTHERWISE:±f0.1

mot'l. code	ecn no	dr	date	lineor	tolerances unless otherwise specified	CUSTOMER COPY	projection	scale	product family	product title	code
A	S03-0057	JPEH	04/15/03		.XX ± 0.30				SATA	S-ATA SIGNAL PLUG DIP VERTICAL TYPE ASS'Y	TWN
B	S03-0162	JPEH	11/03/03		.XXX ± 0.10				SATA	S-ATA SIGNAL PLUG DIP VERTICAL TYPE ASS'Y	TWN
C	S04-0170	JPEH	08/04/04		0' ±2'				SATA	S-ATA SIGNAL PLUG DIP VERTICAL TYPE ASS'Y	TWN
D	S04-0244	GLL	11/16/04						SATA	S-ATA SIGNAL PLUG DIP VERTICAL TYPE ASS'Y	TWN
E	T06-0189	S.Lin	11/16/06						SATA	S-ATA SIGNAL PLUG DIP VERTICAL TYPE ASS'Y	TWN
sheet index	revision	sheet	1	2							2 of