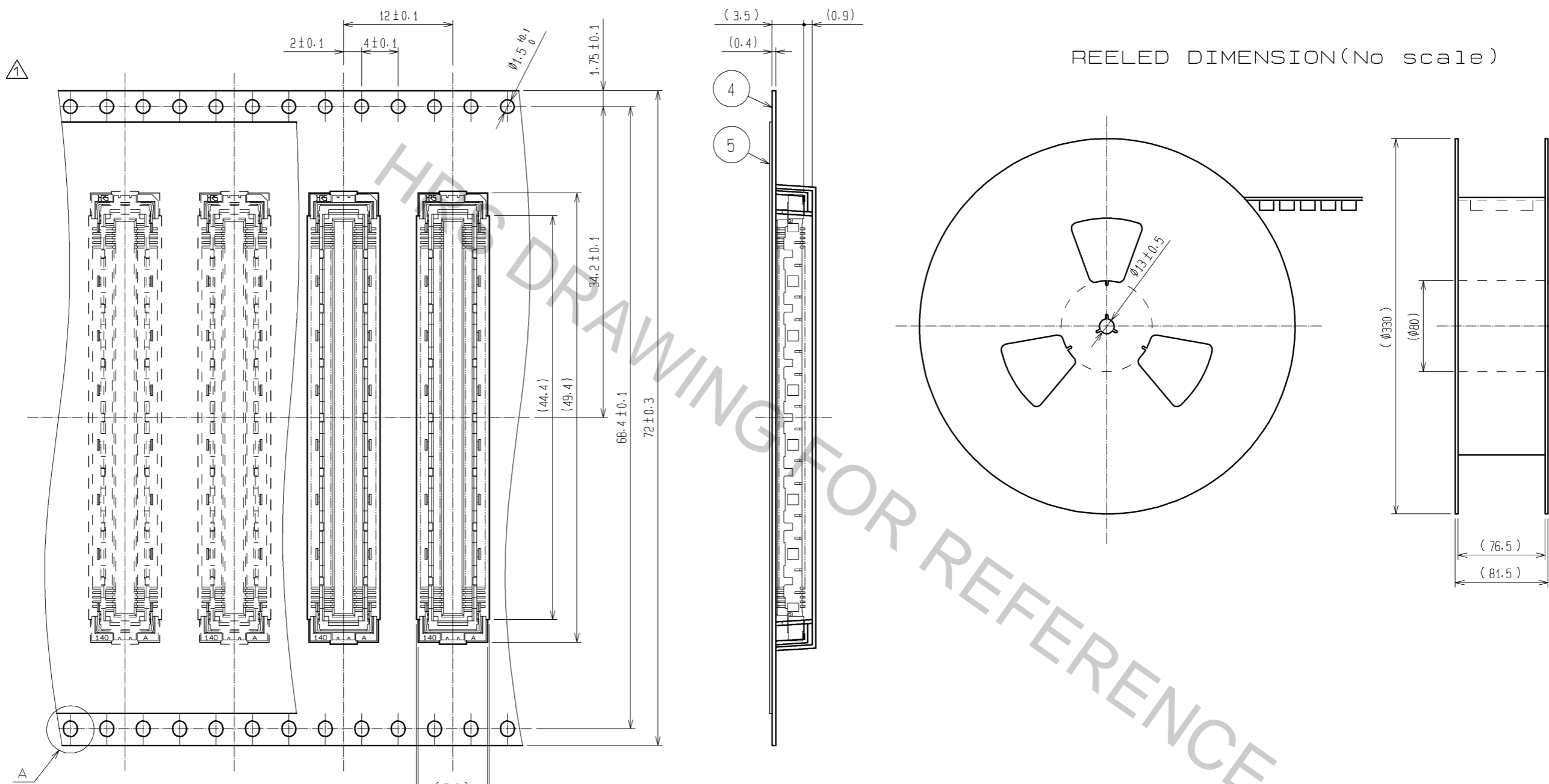


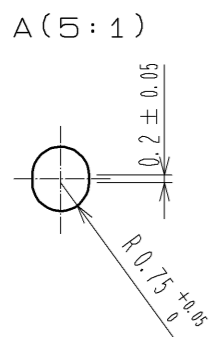
- NOTES
- SMT LEAD-COPLANARITY: 0.1 MAX.
 - THIS PRODUCT HAS NO POLARITY TO PATTERN FOR MOUNTING.
 - THE DIMENSIONS IN PARENTHESES ARE FOR REFERENCE.
 - STACKING HEIGHT FROM LEAD TO LEAD. (REFERENCE DIMENSIONS)
 - BOARD DISTANCE.
 - AREA IS VACUUM PICKUP AREA FOR REFERENCE.
 - EMBOSS CARRIER TAPE PACKAGE IS APPLIED ON THIS PRODUCT. PLEASE REFER TO THE SHEET 2/2 FOR THE RETAILS.

2	PHOSPHOR BRONZE	CONTACT AREA: GOLD 0.76µm min.	5	PET	TOP COVER TAPE			
		LEAD AREA: GOLD 0.03µm min.	4	PS	EMBOSSED CARRIER TAPE			
		UNDER PLATING: NICKEL 1.3µm min.	3	PHOSPHOR BRONZE	SURFACE AREA: GOLD 0.03µm min. UNDER PLATING: NICKEL 1.3µm min.			
1	LCP	BEIGE UL94V-0						
NO.	MATERIAL	FINISH . REMARKS	NO.	MATERIAL	FINISH . REMARKS			
UNITS mm		SCALE 4 : 1	COUNT 2	DESCRIPTION OF REVISIONS DIS-F-006595		DESIGNED Y.J. ASAO	CHECKED HT. YAMAGUCHI	DATE 13.01.10
HRS HIROSE ELECTRIC CO., LTD.		APPROVED : HS. OKAWA 11.11.02	DRAWING NO. EDC3-151991-25					
		CHECKED : HT. YAMAGUCHI 11.11.02	PART NO. FX10B-168S-SV(85)					
		DESIGNED : TS. OONO 11.11.02	CODE NO. CL570-0254-0-85					
		DRAWN : TS. OONO 11.11.02						

DRAWING FOR PACKING(2:1)



THE DIRECTION OF PULLING OUT



- NOTES
- 1 1REEL : 250 CONNECTORS.
 - 2 MINIMUM 10 COMPARTMENTS FROM BOTH REEL ENDS REMAIN EMPTY.
 - 3 THIS PRODUCT HAS NO POLARITY TO TAPE AND REEL PACKAGING.
 - 4 THE DIMENSIONS IN PARENTHESES ARE FOR REFERENCE.

HRS	DRAWING NO.	EDC3-151991-25
	PART NO.	FX10B-168S-SV(85)
	CODE NO.	CL570-0254-0-85
		2/2