

10/100/1000BASE-T SINGLE & DUAL-PORT TRANSFORMER MODULES

Ruggedized



- Compliant with IEEE 802.3ab for 1000Base-T
- 350µH OCL with 8mA bias at extended temperatures
- Storage temperature: -55°C to +125°C
- Operating temperature:
 - 1000B-5001/5002/5003: -40°C to +85°C
 - 1000B-5001X/5002X/5003X: -55°C to +125°C
- IC grade transfer-molded package withstands 235°C peak temperature profile RoHS version withstands 245°C
- MSL: 3

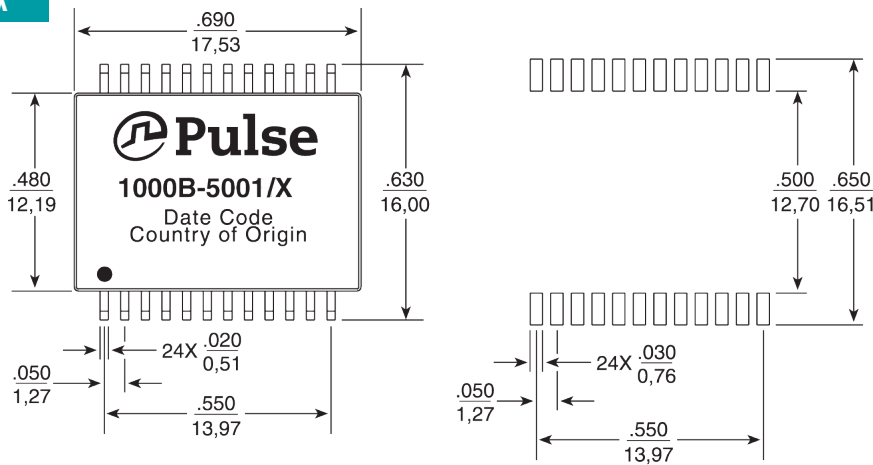
Electrical Specifications @ 25°C

Part Number ²	Insertion Loss (dB Min)	Return Loss (dB Max)				Crosstalk (dB Max)			CM to CM Rejection Ratio (dB Max)			DM to CM Rejection Ratio (dB Max)			HiPot (Vrms MIN) @60HZ (1MIN)
		0.1-100 Mhz	30 Mhz	60 Mhz	80 Mhz	100 Mhz	30 Mhz	60 Mhz	100 Mhz	30 Mhz	60 Mhz	100 Mhz	30 Mhz	60 Mhz	
1000B-5001	-1.20	-18	-12	-10	-10	-43	-37	-33	-40	-35	-30	-43	-37	-33	1500
1000B-5001X	-1.40	-18	-12	-10	-8	-43	-37	-33	-40	-35	-30	-43	-37	-33	1500
1000B-5002	-1.20	-18	-14	-12	-10	-43	-37	-33	-40	-35	-30	-43	-37	-33	1500
1000B-5002X	-1.20	-18	-14	-12	-10	-43	-37	-33	-40	-35	-30	-43	-37	-33	1500
1000B-5003	-1.20	-18	-14	-11	-9	-43	-37	-33	-40	-35	-30	-43	-37	-33	1500

Note: 1. Add suffix NL for RoHS compliant part; i.e. 1000B-5001 becomes 1000B-5001NL. 2. For Tape and Reel Packaging, add "T" suffix at the end of the part number; i.e. 1000B-5001XT.

Mechanical

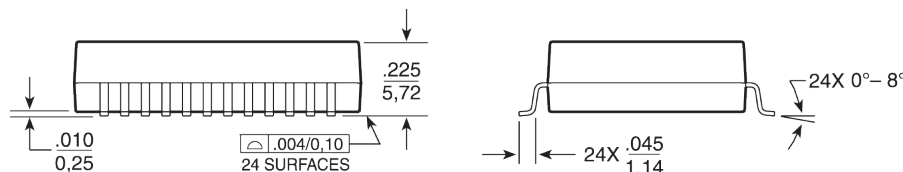
1000B-5001/X



Weight 3.0 grams
Tape and Reel 300/reel
Tube 25/tube

Dimensions: $\frac{\text{Inches}}{\text{mm}}$
Unless otherwise specified, all tolerances are $\pm \frac{.010}{0,25}$

SUGGESTED PAD LAYOUT

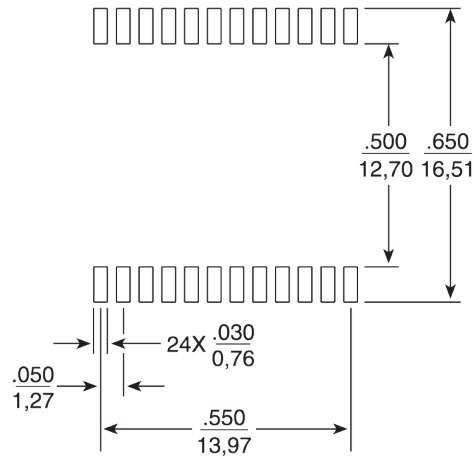
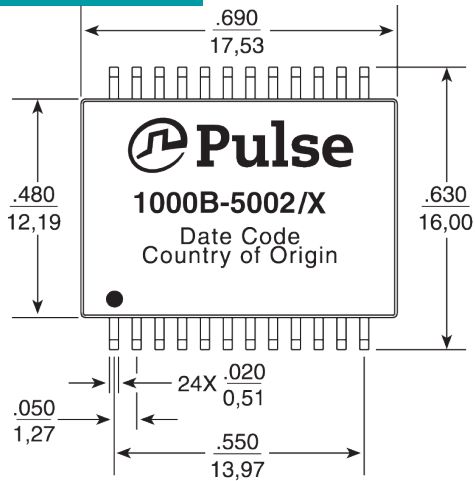


10/100/1000BASE-T SINGLE & DUAL-PORT TRANSFORMER MODULES

Ruggedized



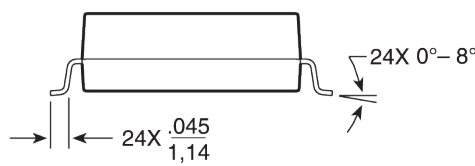
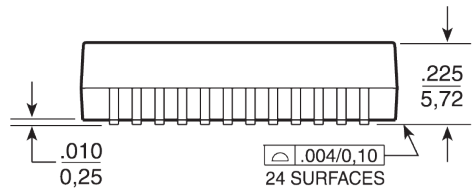
1000B-5002/X



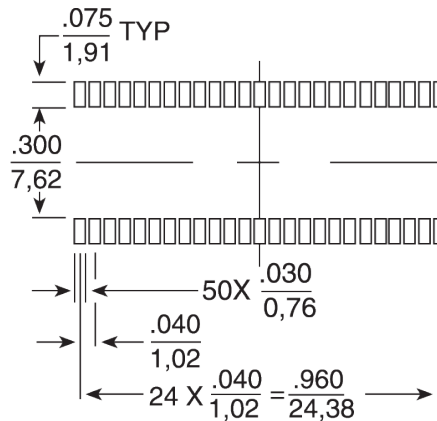
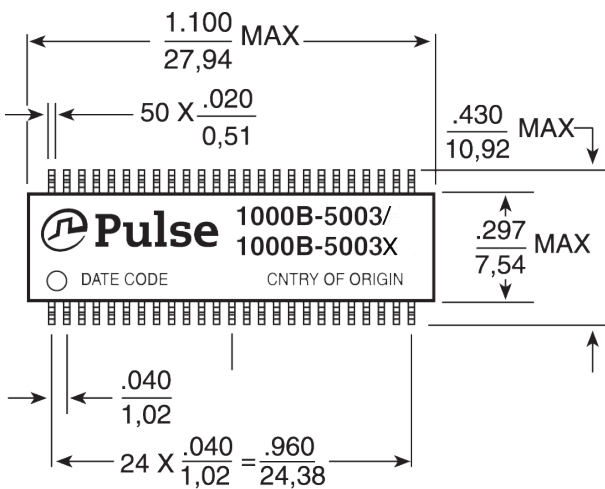
Weight 2.6 grams
Tape and Reel 300/reel
Tube 25/tube

Dimensions: $\frac{\text{Inches}}{\text{mm}}$
Unless otherwise specified,
all tolerances are $\pm \frac{.010}{0,25}$

SUGGESTED PAD LAYOUT



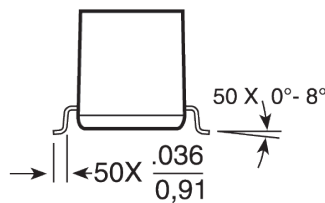
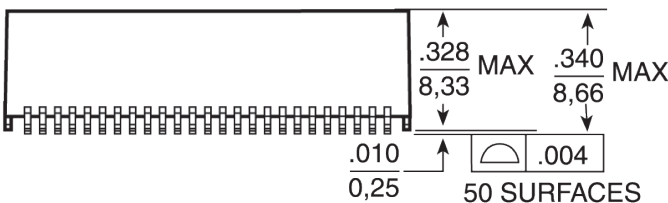
1000B-5003/X



Weight 3.5 grams
Tape and Reel 250/reel
Tube 15/tube

Dimensions: $\frac{\text{Inches}}{\text{mm}}$
Unless otherwise specified,
all tolerances are $\pm \frac{.010}{0,25}$

SUGGESTED PAD LAYOUT



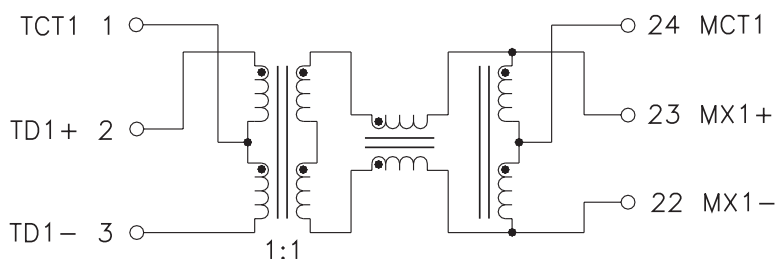
10/100/1000BASE-T SINGLE & DUAL-PORT TRANSFORMER MODULES

Ruggedized

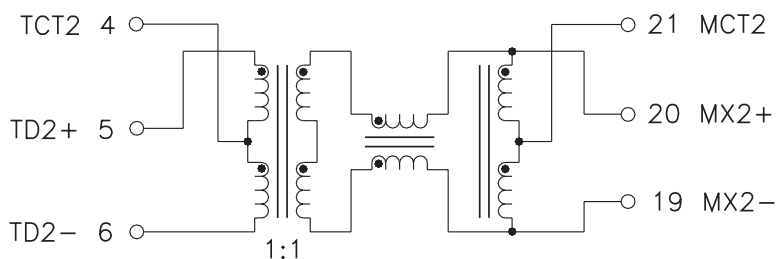
Electrical Schematic

1000B-5001/X

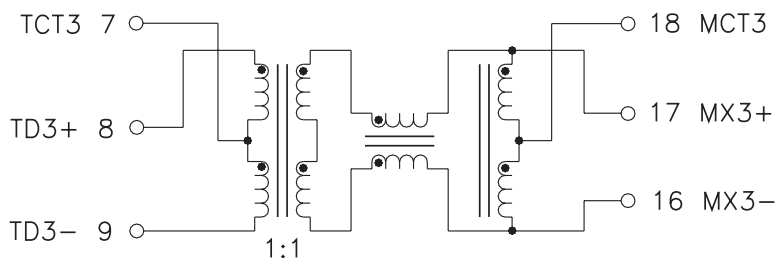
CHANNEL 1



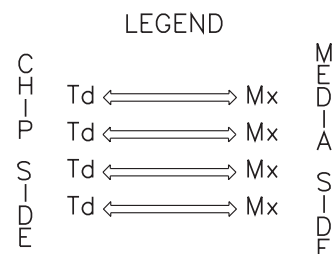
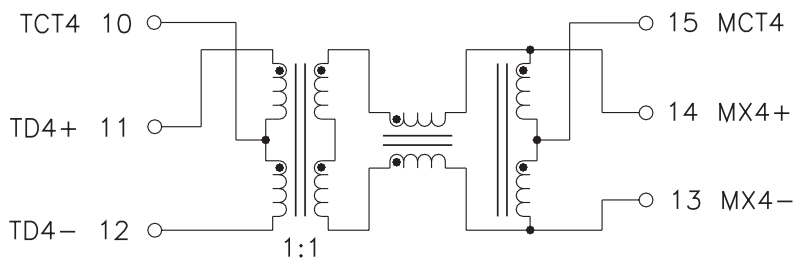
CHANNEL 2



CHANNEL 3



CHANNEL 4



ALL CHANNELS ARE IN PHASE BETWEEN INPUT AND OUTPUT

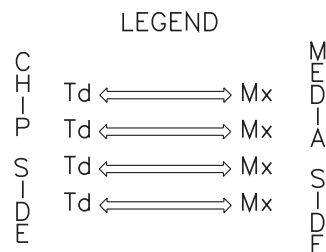
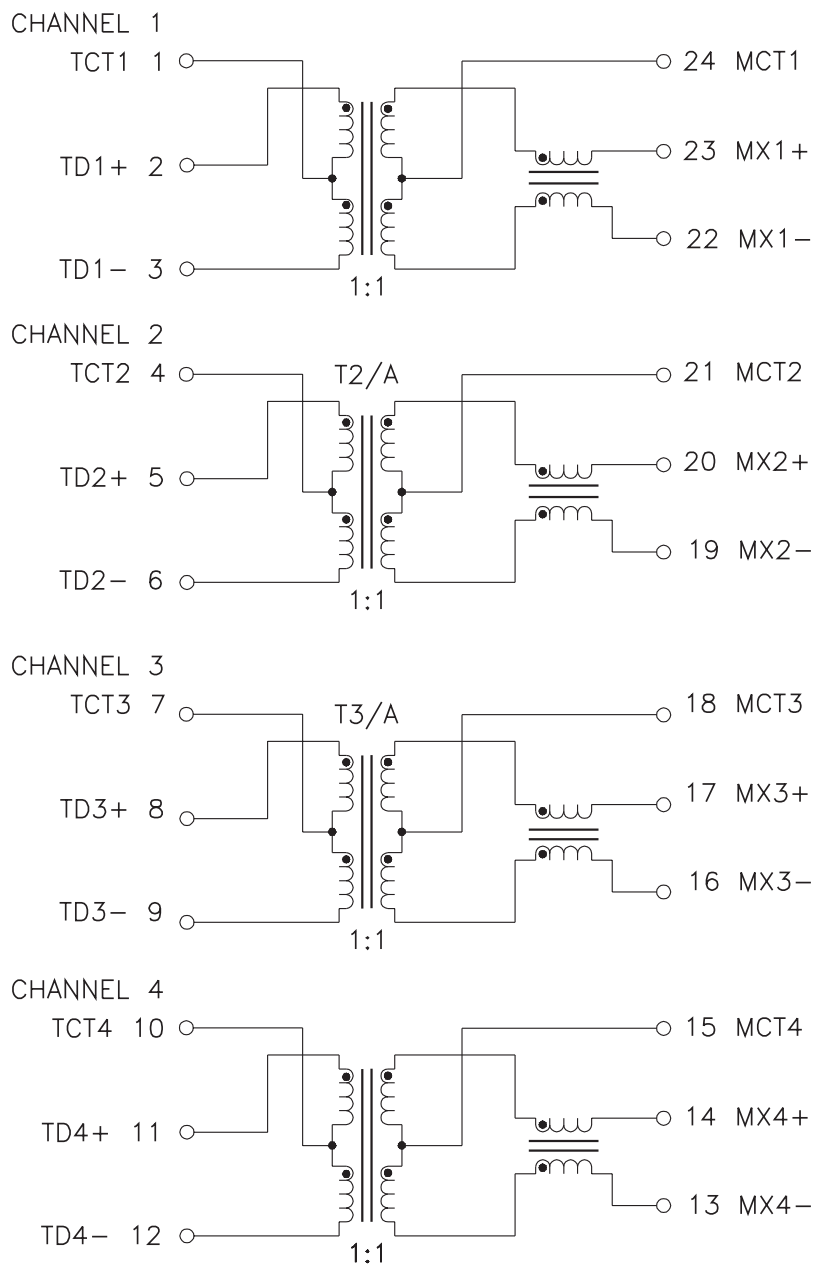
10/100/1000BASE-T SINGLE & DUAL-PORT TRANSFORMER MODULES

Ruggedized



Electrical Schematic

1000B-5002/X



ALL CHANNELS ARE IN PHASE BETWEEN INPUT AND OUTPUT

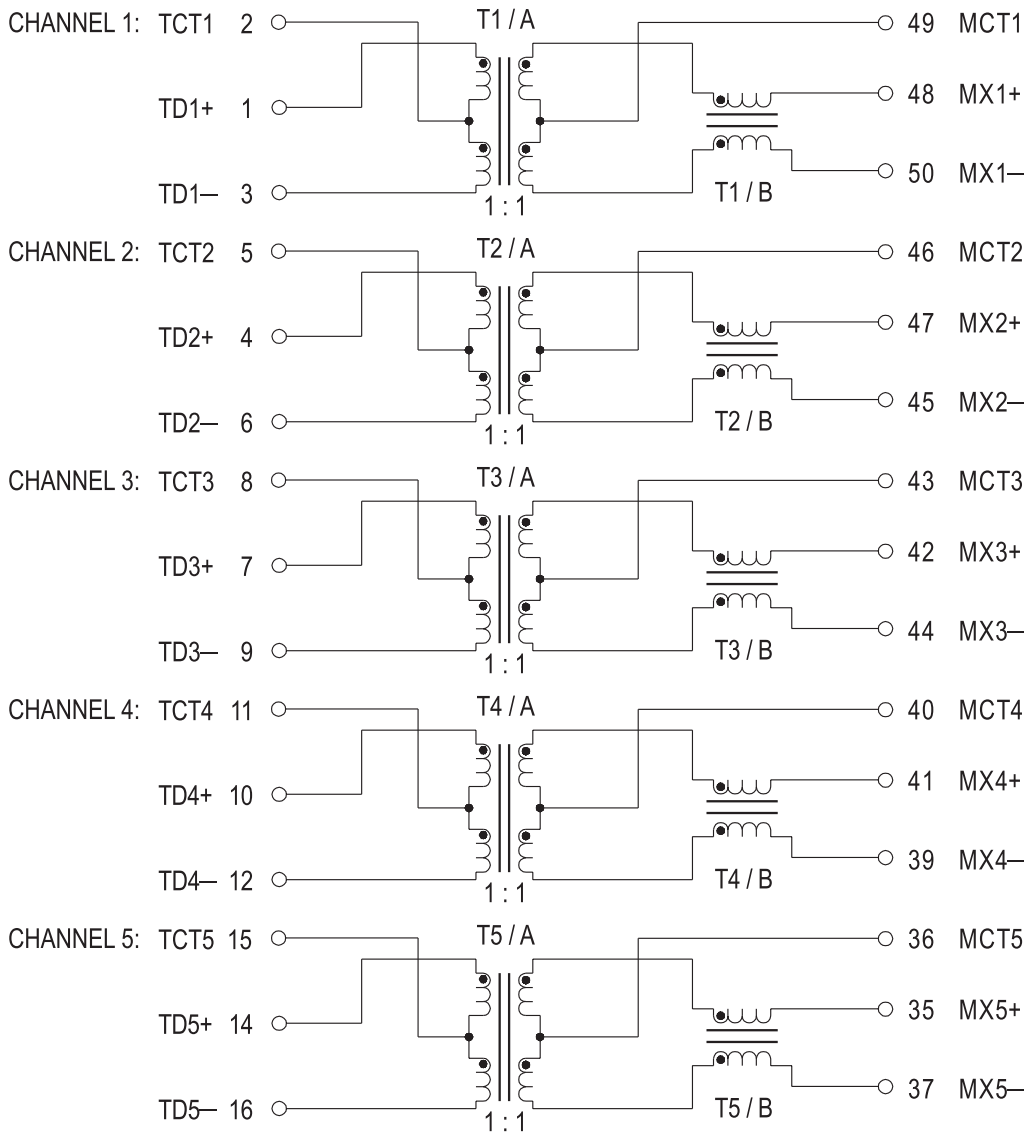
10/100/1000BASE-T SINGLE & DUAL-PORT TRANSFORMER MODULES

Ruggedized



Electrical Schematic

1000B-5003/X



LEGEND

CHIP SIDE ← Td ↔ Mx MEDIAN SIDE

ALL CHANNELS ARE IN PHASE BETWEEN INPUT AND OUTPUT

Continued on next page.

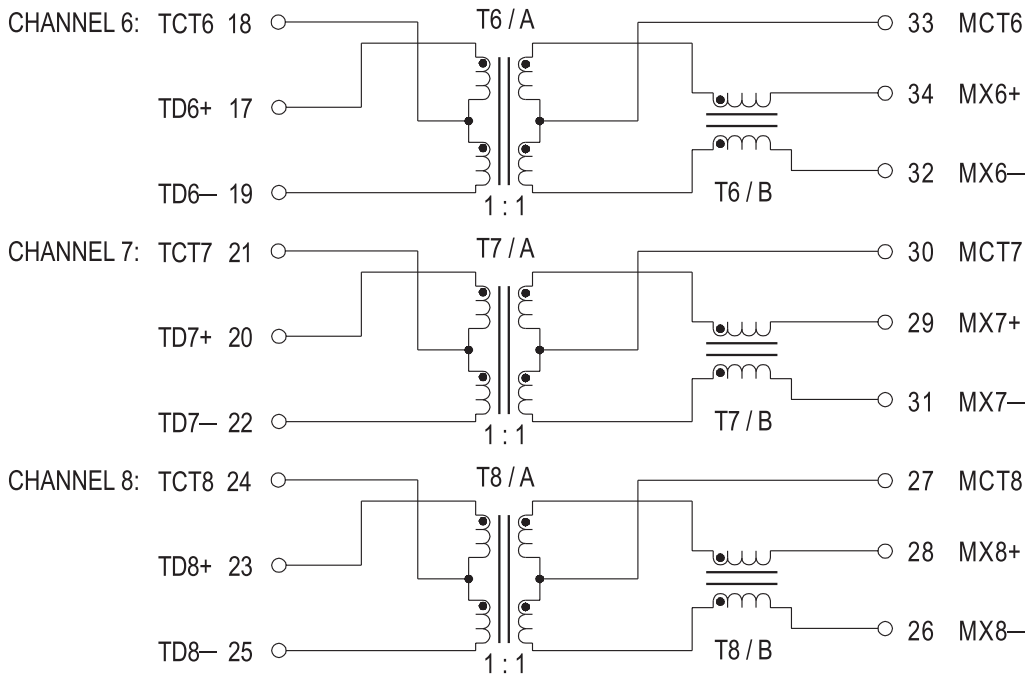
10/100/1000BASE-T SINGLE & DUAL-PORT TRANSFORMER MODULES

Ruggedized



Electrical Schematic

1000B-5003/X (cont.)



LEGEND

C H I P
S I D E
T_d ↔ M_x
M E D I A
S I D E

ALL CHANNELS ARE IN PHASE BETWEEN INPUT AND OUTPUT

For More Information

Pulse Worldwide
Headquarters
Two Pearl Buck
Court
Bristol, PA 19007
U.S.A.

Tel: 215 781 6400
Fax: 215 781 6403

Performance warranty of products offered on this data sheet is limited to the parameters specified. Data is subject to change without notice. Other brand and product names mentioned herein may be trademarks or registered trademarks of their respective owners. © Copyright, 2015. Pulse Electronics, Inc. All rights reserved.