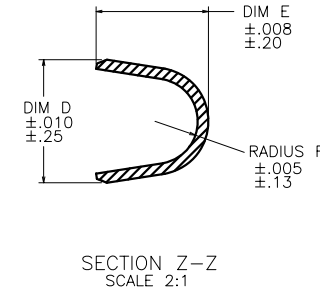
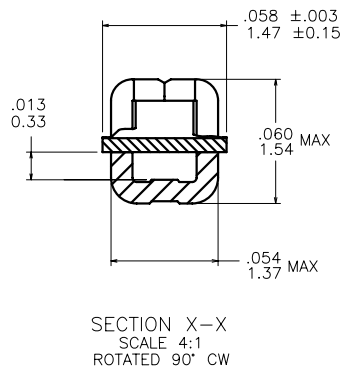
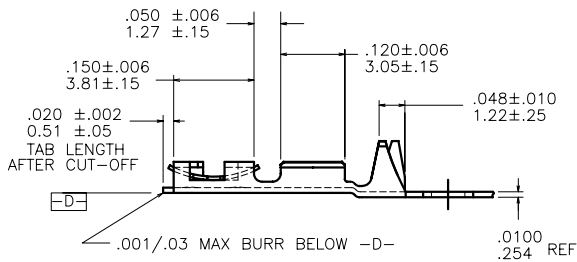
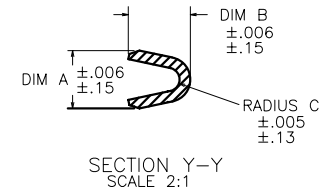
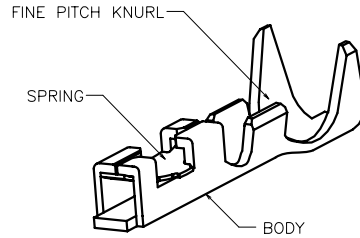
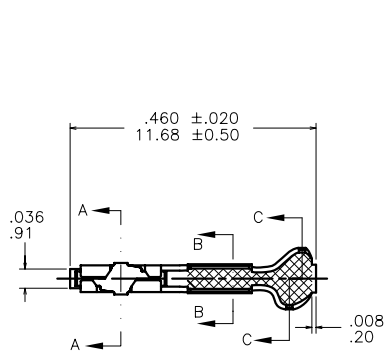


PRODUCT NUMBER SEE TABLE	AWG RANGE	WIRE BARREL			INSULATION BARREL			
		A	B	C	INS. DIA. RANGE	D	E	F
	18-20	.104/2.64	.104/2.64	.021/0.53	.042/1.07 - .103/2.62	.139/3.53	.120/3.05	.050/1.27
	22-26	.070/1.78	.070/1.78	.017/0.43	.036/0.91 - .103/2.62	.139/3.53	.120/3.05	.050/1.27
	28-32	.054/1.37	.058/1.47	.011/0.28	.028/0.71 - .054/1.37	.115/2.92	.105/2.67	.040/1.02



mat'l. code				surface		tolerance		projection		product family	
SEE TABLE				dr		tolerances unless otherwise specified		INCH/MM		PV TERMINALS	
ltr	ecn no	dr	date	tolerances unless otherwise specified					title		
N	V08-0510	HTB	2008-12-02	angles	XX $\pm .01/X \pm 3$	INCH/MM		MINI PV™ C.T.W. RECEPT.			
-	-	-	-		XXX $\pm .005/XX \pm 13$	scale 3:1		FOR .019 [0.48] PIN			
H	V05-0530	HTB	2005-05-27	0° $\pm 2'$	XXXX $\pm .0020/XXX \pm .051$			sheet 1 of 3		size	
J	V06-0623	HTB	2006-06-28	dr	E. KROPIEWNICKI	1996-10-07		FCI		A4	
K	V07-0218	HTB	2007-03-16	engr	M. SMYK	1996-10-07		dwg no			
L	V07-0517	HTB	2007-08-08	chr	T. BREWBAKER	1996-10-07		75374			
M	V08-0115	HTB	2008-04-02	appd	M. SMYK	1996-10-07		type		CUSTOMER Drawing	
sheet	revision	N	N	N							
index	sheet	1	2	3							



PRODUCT NUMBER		SPRING THICKNESS	AWG RANGE	MATERIAL & PLATING	
REELED	LOOSE PIECE			1/4 HARD BRASS BODY	BeCu HEAT TREATED SPRING
75374-001	75374-002	O B S O L E T E		40µ/1.02µm MIN GOLD OVER 50µ/1.27µm MIN NICKEL IN CONTACT AREA REMAINDER OF TOP OF TERMINAL GOLD FLASH OVER 50µ"/1.27µm NICKEL BACKSIDE OF TERMINAL PLATED WITH 30µ"/0.76µm NICKEL ONLY	GOLD FLASH
75374-001LF	75374-002LF	.0065/0.165	22-26		
75374-003	75374-004	O B S O L E T E			
75374-003LF	75374-004LF	.0048/0.120	22-26		
75374-005	75374-006	O B S O L E T E			
75374-005LF	75374-006LF	.0035/0.090	22-26		
75374-007	75374-008	O B S O L E T E			
75374-007LF	75374-008LF	.0065/0.165	28-32		
75374-009	75374-010	O B S O L E T E			
75374-009LF	75374-010LF	.0048/0.120	28-32		
75374-011	75374-012	O B S O L E T E			
75374-011LF	75374-012LF	.0035/0.090	28-32		
75374-013	75374-014	O B S O L E T E			
75374-013LF	75374-014LF	.0065/0.165	18-20		
75374-015	75374-016	O B S O L E T E			
75374-015LF	75374-016LF	.0048/0.120	18-20		
75374-017	75374-018	O B S O L E T E			
75374-017LF	75374-018LF	.0035/0.090	18-20		
75374-019	75374-020	O B S O L E T E		TIN	
75374-019LF	75374-020LF	.0065/0.165	22-26		HOT DIPPED TIN (NOTE 5)
75374-021	75374-022	O B S O L E T E			O B S O L E T E
75374-021LF	75374-022LF	.0048/0.120	22-26		HOT DIPPED TIN (NOTE 5)
75374-023	75374-024	O B S O L E T E			O B S O L E T E
75374-023LF	75374-024LF	.0035/0.090	22-26		HOT DIPPED TIN (NOTE 5)

mat'l. code		surface		tolerance		projection		product family	
SEE TABLE		✓						PV TERMINALS	
ltr	ecn no	dr	date	tolerances unless otherwise specified				title	
N				angles	$.XX \pm 01/X \pm 3$ $.XXX \pm 005/XX \pm 13$	INCH/MM		MINI PV™ C.T.W. RECEPT. FOR .019 [0.48] PIN	
				0° ±2'	XXXX ±0020/XXX±051	scale 1:1		dwg no	
				dr	E. KROPIEWNICKI	1996-10-07		sheet 2 of 3 size	
				engr	M. SMYK	1996-10-07		75374 A4	
				chr	T. BREWBAKER	1996-10-07		type	
				appd	M. SMYK	1996-10-07		CUSTOMER Drawing	
sheet index	revision sheet								



PRODUCT NUMBER		SPRING THICKNESS	AWG RANGE	MATERIAL & PLATING	
REELED	LOOSE PIECE			1/4 HARD BRASS BODY	BeCu HEAT TREATED SPRING
75374-025	75374-026	O B S O L E T E		O B S O L E T E	
75374-025LF	75374-026LF	.0065/0.165	28-32	HOT DIPPED TIN (NOTE 5)	
75374-027	75374-028	O B S O L E T E		O B S O L E T E	
75374-027LF	75374-028LF	.0048/0.120	28-32	HOT DIPPED TIN (NOTE 5)	
75374-029	75374-030	O B S O L E T E		O B S O L E T E	
75374-029LF	75374-030LF	.0035/0.090	28-32	HOT DIPPED TIN (NOTE 5)	
75374-031	75374-032	O B S O L E T E		O B S O L E T E	
75374-031LF	75374-032LF	.0065/0.165	18-20	HOT DIPPED TIN (NOTE 5)	
75374-033	75374-034	O B S O L E T E		O B S O L E T E	
75374-033LF	75374-034LF	.0048/0.120	18-20	HOT DIPPED TIN (NOTE 5)	
75374-035	75374-036	O B S O L E T E		O B S O L E T E	
75374-035LF	75374-036LF	.0035/0.090	18-20	HOT DIPPED TIN (NOTE 5)	

TIN

NOTES:

- PART TO MATE WITH .019 ±.002/0.48 ±0.05 PIN.
- TAB CUT-OFF DIM IS VERY CRITICAL WHEN USED IN CONJUNCTION WITH MINI ROD AND MINI LATCH HOUSINGS.
- APPLICABLE SPECIFICATION :
 - TA-75 : CRIMP METHODS FOR USE IN MINI LATCH HOUSINGS.
 - TA-210 : CRIMP METHODS FOR USE IN MINI ROD HOUSINGS.
- PRODUCT MEETS EUROPEAN UNION DIRECTIVES AND OTHER COUNTRY REGULATIONS AS DESCRIBED IN GS-22-008.
- THIS PRODUCT HAS 100% TIN PLATING IN THE INTERFACE AND HAS NOT BEEN TESTED FOR WHISKER GROWTH IN ALL INTERCONNECT ENVIRONMENTS.
- THIS PRODUCT IS NOT INTENDED TO BE EXPOSED TO MANUFACTURING SOLDERING PROCESSES.

mat'l. code		surface		tolerance		projection		product family	
SEE TABLE		✓				INCH/MM		PV TERMINALS	
ltr	ecn no	dr	date	tolerances unless otherwise specified		INCH/MM		title	
N				angles	° ±2'	XX +.01/XX+3	scale 1:1	MINI PV™ C.T.W. RECEPT. FOR .019 [0.48] PIN	
						XXX +.005/XX+13		dwg no 75374 sheet 3 of 3 size A4	
						XXXX +.0020/XXX+051		type CUSTOMER Drawing	
		dr	T. BREWBAKER	2005-05-19			FCI		
		engr	T. BREWBAKER	2005-05-19					
		chr	T. BREWBAKER	2005-05-19					
		appd	T. BREWBAKER	2005-05-19					
sheet index	revision sheet								