

Cable connector - RC-09P1N12T049 - 1595283

Please be informed that the data shown in this PDF Document is generated from our Online Catalog. Please find the complete data in the user's documentation. Our General Terms of Use for Downloads are valid (<http://phoenixcontact.com/download>)


Cable connector, angled, shielded: yes, Screw locking, M23, Number of positions: 8+1, Type of contact: Pin, Solder connection, Cable diameter: 6.5 mm ... 7.5 mm



The figure shows the 12-pos. product version



Key Commercial Data

Packing unit	8 STK
GTIN	 4 046356 377959
GTIN	4046356377959

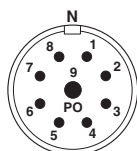
Technical data

Environmental Product Compliance

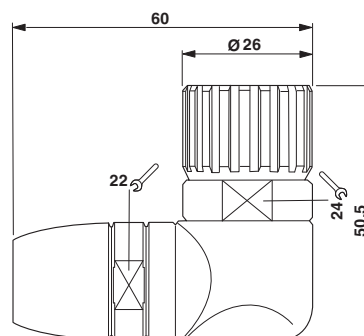
China RoHS	Environmentally Friendly Use Period = 50
	For details about hazardous substances go to tab "Downloads", Category "Manufacturer's declaration"

Drawings

Schematic diagram



Dimensional drawing



Cable connector - RC-09P1N12T049 - 1595283

Approvals

Approvals

Approvals

EAC

Ex Approvals

Approval details

EAC		B.01742
-----	---	---------

Phoenix Contact 2017 © - all rights reserved
<http://www.phoenixcontact.com>

PHOENIX CONTACT GmbH & Co. KG
Flachsmarktstr. 8
32825 Blomberg
Germany
Tel. +49 5235 300
Fax +49 5235 3 41200
<http://www.phoenixcontact.com>