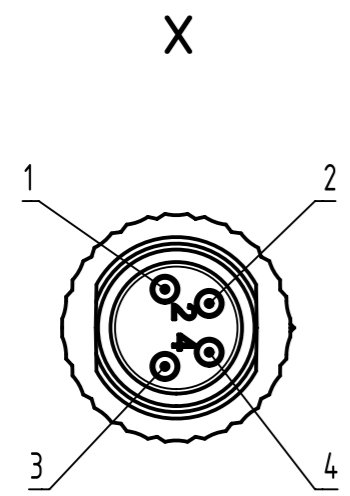
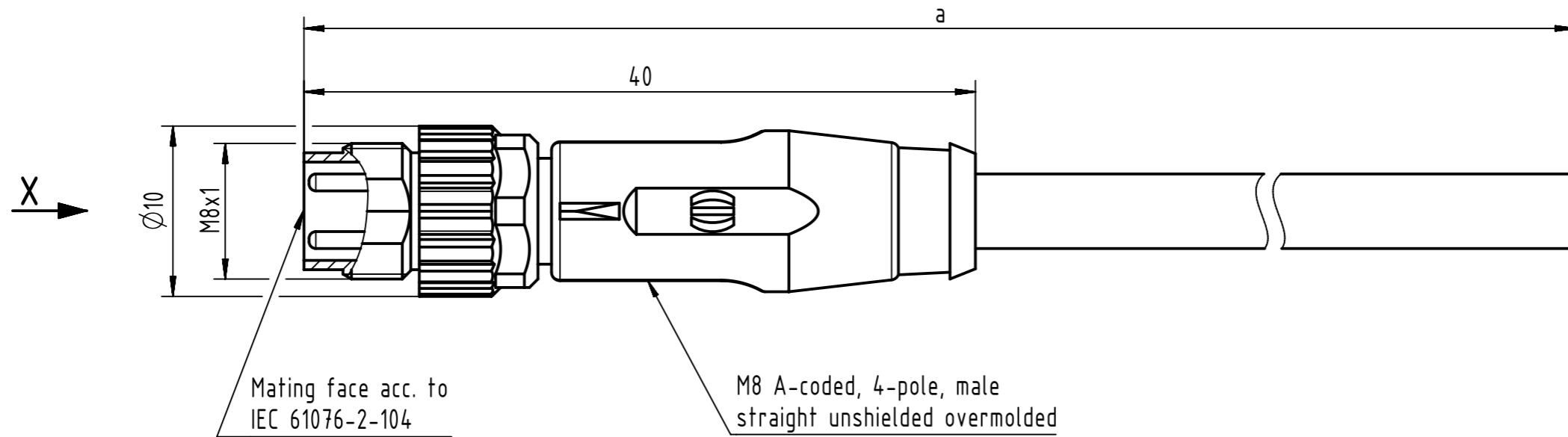


Connector Location A

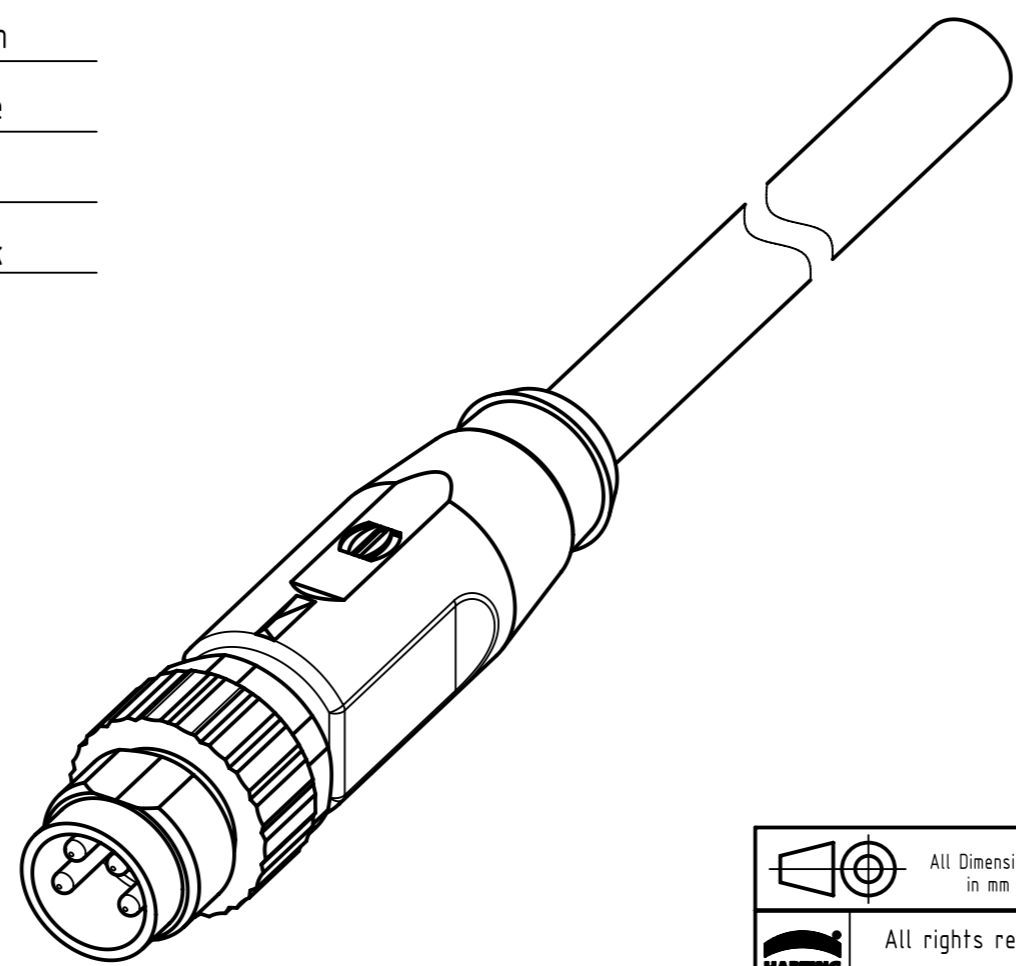
Connector Location B



Loading-Plan:

- 1 brown
- 2 white
- 3 blue
- 4 black

- Protection level: IP67
 - Temperature range: -25°C ... +80°C



length in "1m" step	40	XXX=400
	39	XXX=390
	.	.
	12	XXX=120
length in "0.1m" step	11	XXX=110
	10	XXX=100
	9.9	XXX=099
	9.8	XXX=098
	.	.
	0.4	XXX=004
	0.3	XXX=003
	0.2	XXX=002
	0.1	XXX=001
Step	a [m]	XXX

4.0 to 40	+1%
0.1 to 3.9	+0.04
a [m]	Tolerance

Part no.	213480004XXXXX
Type of cable	XX
PVC grey, 4x0.25mm ²	XX=81
PUR black, 4x0.25mm ²	XX=89

All rights reserved Department HCS - RO HARTING Customised Solutions D-32427 Minden	All Dimensions in mm Tech. Character. Free size tol. According to production drawing	Created by COSTEA	Inspected by MUNTEANV	Standardisation AVRAM	Date 2017-09-19	State Final Release	Doc-Key / ECM-Nr. 100577961/UGD/009/B 500000125440
	Title M8 Cable Assembly	Type TB	Number 213480004XXXXX	Rev. B	Page 1/1		