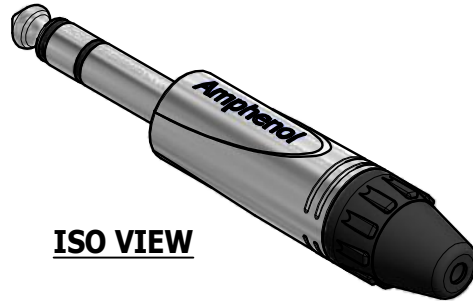
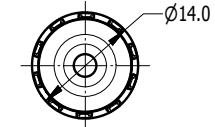
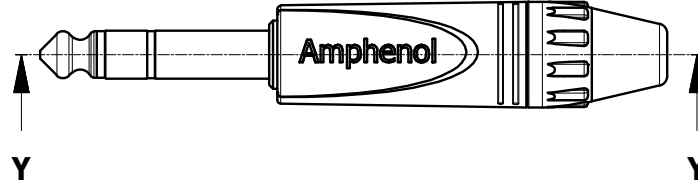
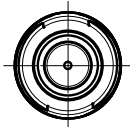
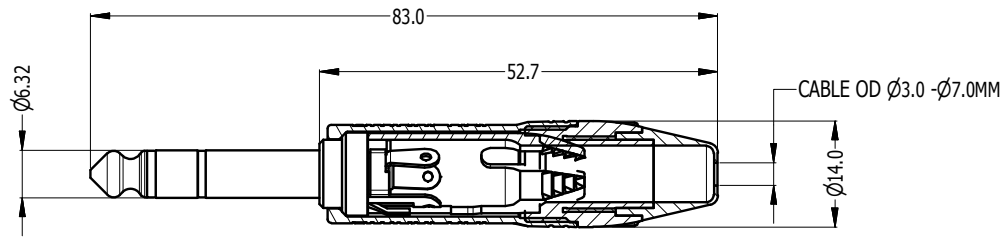




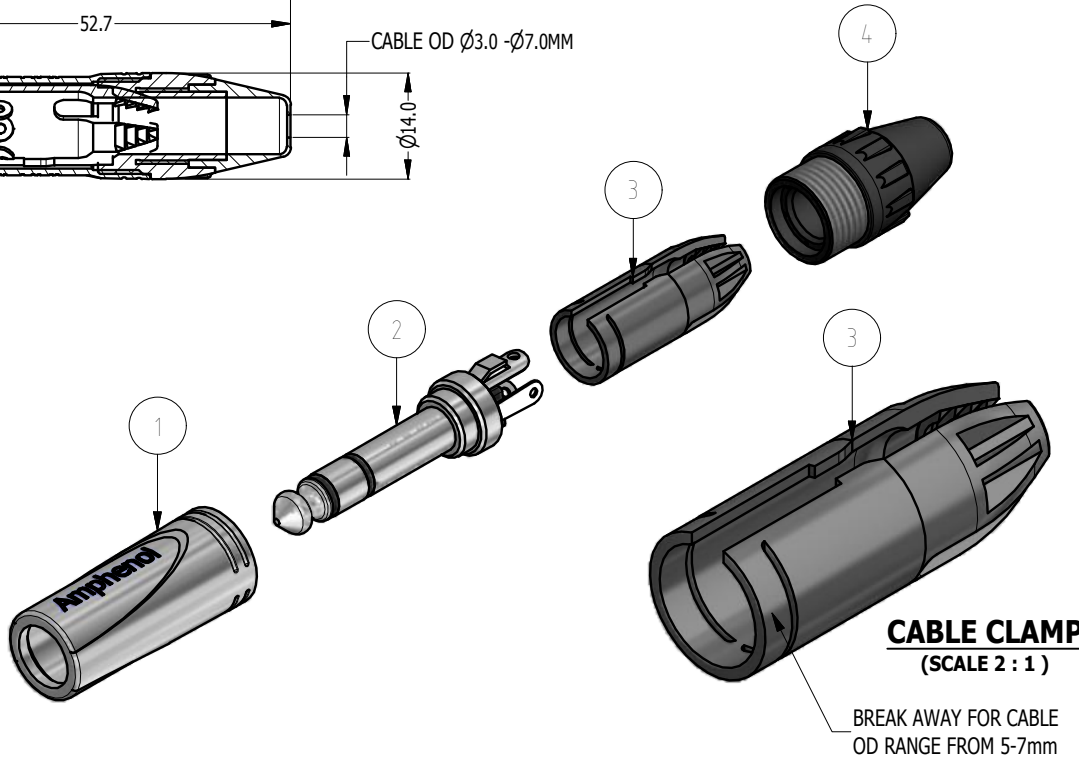
REVISION HISTORY			
REV	DESCRIPTION	DATE	CHG No
1	FIRST ISSUE	30-05-17	----
2	UPDATED CABLE CLAMP	14-03-18	9465



**ISO VIEW**



CATALOGUE PN	SHELL FINISH	CONTACT FINISH	BACKSHELL FINISH
QS3P	NICKEL	NICKEL SLEEVE AND TIP	MATT BLACK
QS3PB-AU	MATT BLACK	GOLD SLEEVE AND TIP	MATT BLACK



**CABLE CLAMP**  
(SCALE 2 : 1)

BREAK AWAY FOR CABLE  
OD RANGE FROM 5-7mm

4	50440055-000/*00	THERMOPLASTIC BACKSHELL - BLACK/COLOUR	1	UNLESS OTHERWISE SPECIFIED TOLERANCE TO BE	THIS DOCUMENT IS THE PROPERTY OF AMPHENOL AUSTRALIA PTY. LTD. NO PART THEREOF MAY BE REPRODUCED AND USED WITHOUT THE PRIOR WRITTEN CONSENT OF THE OWNER		<b>Amphenol</b> Amphenol Australia Pty.Ltd, 22 Industry Blvd, Carrum Downs, VIC 3201																				
3	50260024-500	THERMOPLASTIC CABLE CLAMP - BLACK	1																								
2	50310064-100/300	MONO INSERT ASSEMBLY - GOLD/NICKEL	1	<table border="1"> <thead> <tr> <th>LINEAR</th> <th>ANGULAR</th> </tr> </thead> <tbody> <tr> <td>X ±0.5</td> <td>X' ±1</td> </tr> <tr> <td>X.X ±0.1</td> <td>X.X' ±30'</td> </tr> <tr> <td>X.XX ±0.05</td> <td>X.XX" ±15'</td> </tr> </tbody> </table>	LINEAR	ANGULAR	X ±0.5	X' ±1	X.X ±0.1	X.X' ±30'	X.XX ±0.05	X.XX" ±15'	<table border="1"> <tr> <td>MATERIAL:</td> <td>DRN: MH</td> <td>DATE: 30-05-17</td> </tr> <tr> <td>REFER TO COMPONENT</td> <td>CKD: MH</td> <td>DATE: 14-03-18</td> </tr> <tr> <td></td> <td>APP'D: PM</td> <td>DATE: 14-03-18</td> </tr> </table>	MATERIAL:	DRN: MH	DATE: 30-05-17	REFER TO COMPONENT	CKD: MH	DATE: 14-03-18		APP'D: PM	DATE: 14-03-18	<table border="1"> <tr> <td>TITLE:</td> <td>PART No:</td> </tr> <tr> <td><b>1/4" PHONE STEREO PLUG CUSTOMER DRAWING</b></td> <td><b>SEE TABLE</b></td> </tr> </table>	TITLE:	PART No:	<b>1/4" PHONE STEREO PLUG CUSTOMER DRAWING</b>	<b>SEE TABLE</b>
LINEAR	ANGULAR																										
X ±0.5	X' ±1																										
X.X ±0.1	X.X' ±30'																										
X.XX ±0.05	X.XX" ±15'																										
MATERIAL:	DRN: MH	DATE: 30-05-17																									
REFER TO COMPONENT	CKD: MH	DATE: 14-03-18																									
	APP'D: PM	DATE: 14-03-18																									
TITLE:	PART No:																										
<b>1/4" PHONE STEREO PLUG CUSTOMER DRAWING</b>	<b>SEE TABLE</b>																										
1	53480189-300/400	DIECAST SHELL - NICKEL/MATT BLACK	1	BREAK ALL SHARP EDGES AND REMOVE ALL BURRS	SCALE: <b>1:1</b>	SIZE: <b>A4</b>	<table border="1"> <tr> <td>CAD FILE</td> <td>DRAWING NO.</td> <td>SHEET</td> </tr> <tr> <td>55011235000111</td> <td><b>55011235-000-1</b></td> <td><b>2/2</b></td> </tr> </table>	CAD FILE	DRAWING NO.	SHEET	55011235000111	<b>55011235-000-1</b>	<b>2/2</b>														
CAD FILE	DRAWING NO.	SHEET																									
55011235000111	<b>55011235-000-1</b>	<b>2/2</b>																									
ITEM	PART NUMBER	DESCRIPTION	QTY	DO NOT SCALE	FINISH: <b>SEE TABLE</b>																						
Parts List				DIMENSIONS IN MILLIMETRES																							