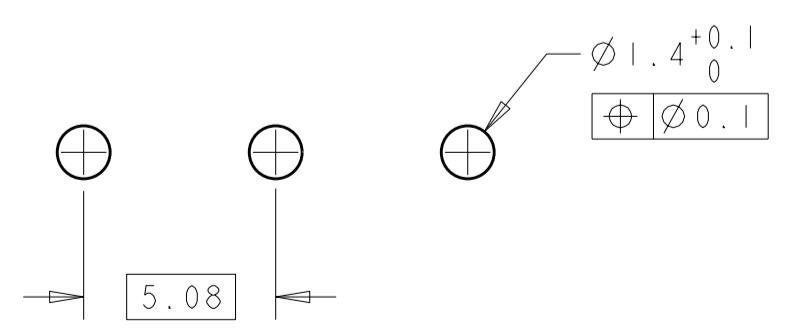
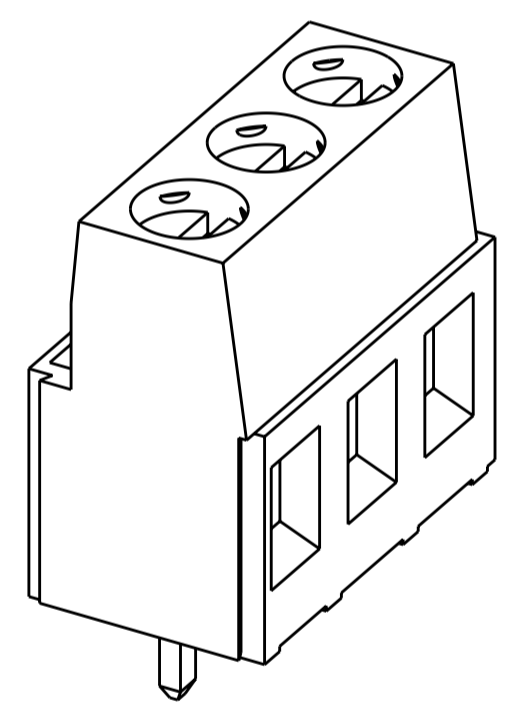
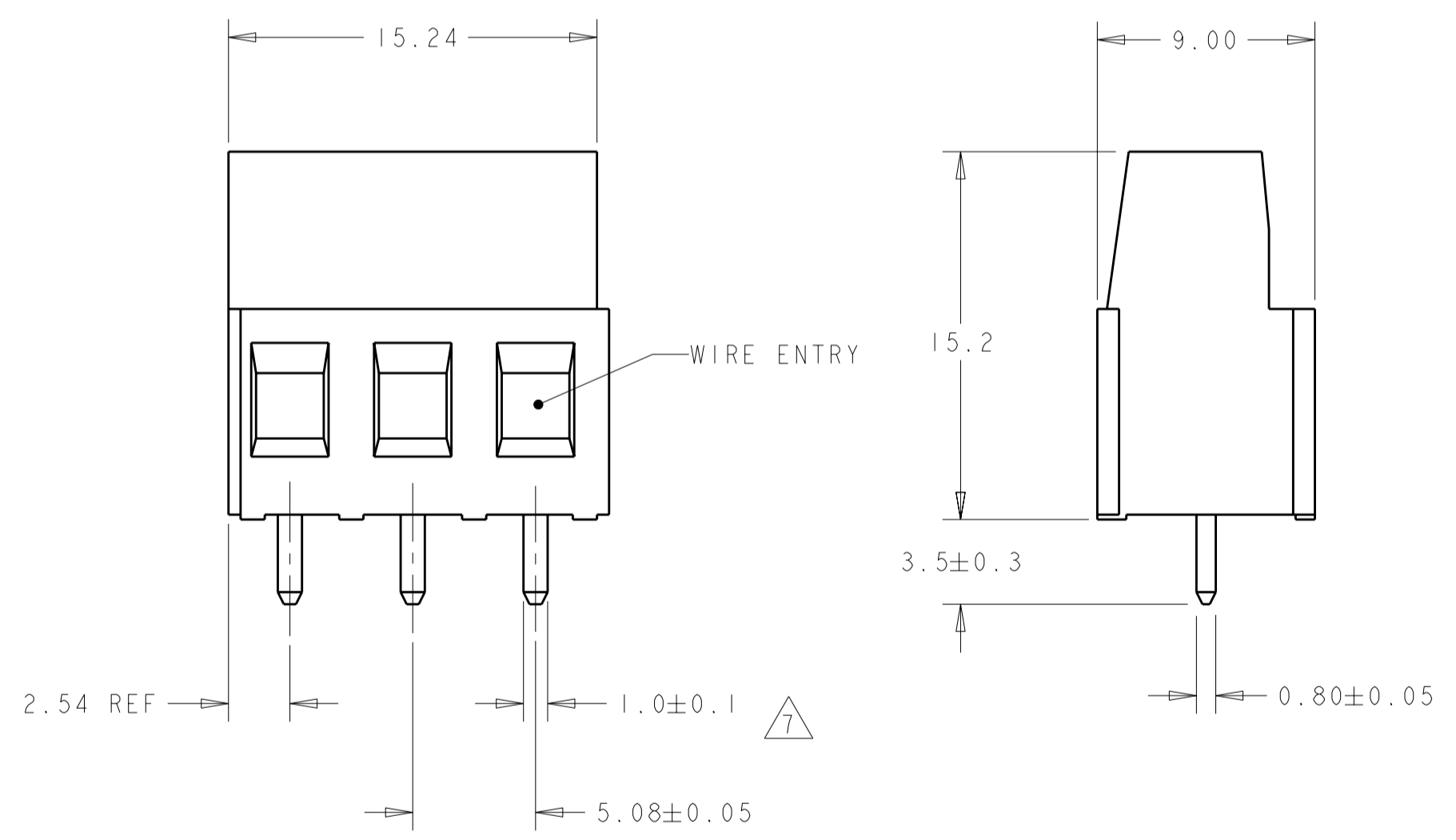
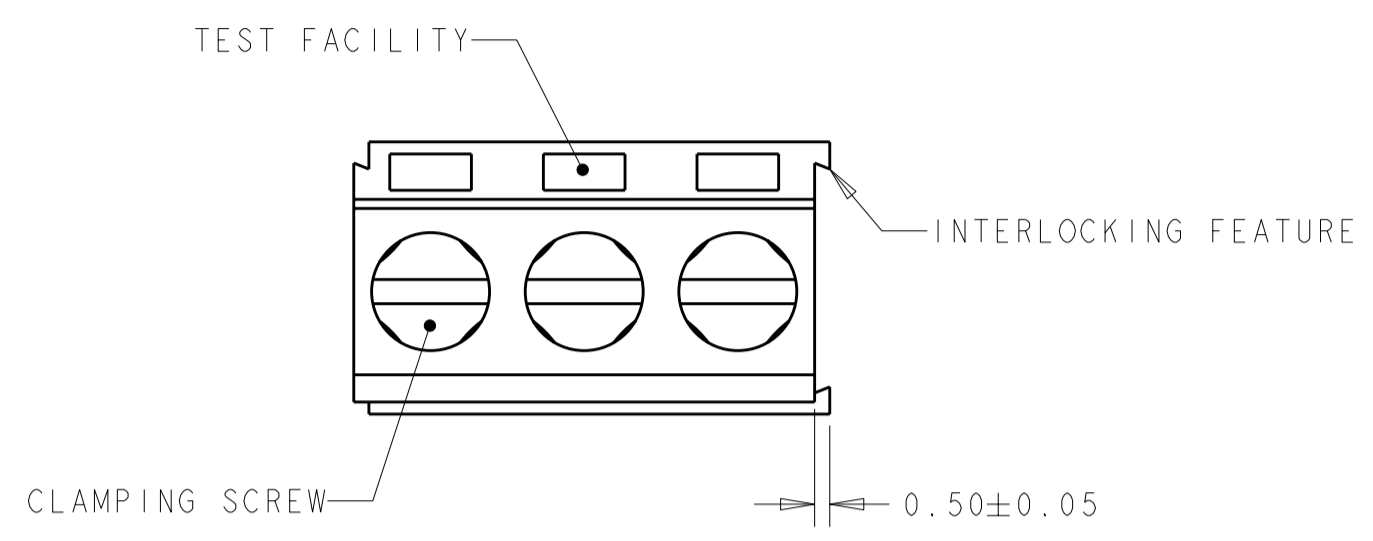


THIS DRAWING IS UNPUBLISHED. RELEASED FOR PUBLICATION 20  
 © COPYRIGHT 20 ALL RIGHTS RESERVED.

LOC	DIST	REVISIONS			
P	LTR	DESCRIPTION	DATE	DWN	APVD
FT	0	DI	REVISED PER ECO-11-005294	06APR2011	RK HMR

- 1. MATERIALS AND FINISH:  
 HOUSING: PA 6-6, UL 94-V0, COLOR:BLACK.  
 CLAMP: BRASS, NICKEL PLATED.  
 TERMINAL: BRASS, TIN PLATED.  
 CLAMPING SCREW: M3, BRASS, NICKEL PLATED.
- 2. SUITABLE FOR 1,6-2,4mm. PCB THICKNESS.
- 3. END-TO-END STACKABLE W/INTERLOCK WITHOUT LOSS OF CENTERLINE SPACING.
- 4. WIRE SIZE RANGE: 12 - 30 AWG
- 5. RECOGNIZED UNDER THE COMPONENT PROGRAM OF UNDERWRITERS LABORATORIES INC. FILE No E60677.
- 6. IMQ CERTIFICATE WITH SURVEILLANCE IN CONFORMITY WITH IEC 998-1/998-2-1.
- 7. NOT CUMULATIVE TOLERANCE.
- 8. WHITE INK STAMPING.
- 9. BUCHANAN LOGO TO APPEAR ON HOUSING, LOCATION OPTIONAL, WHERE SPACE PERMITS.



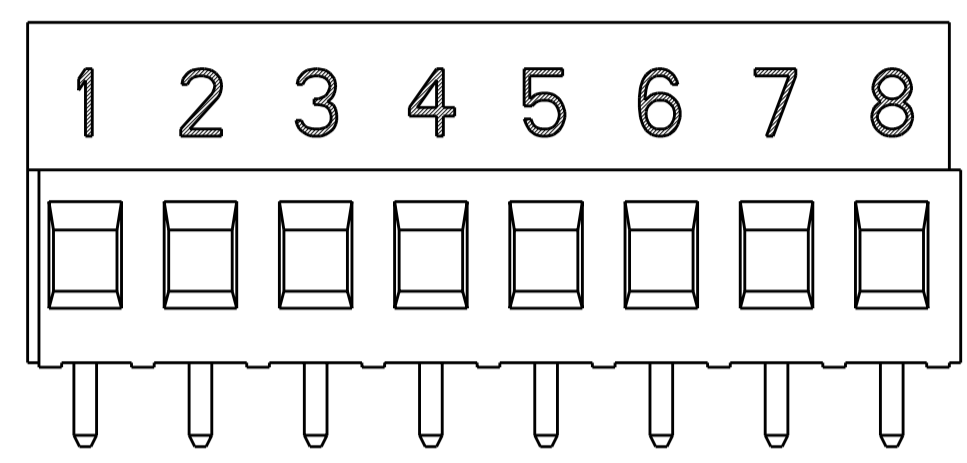
RECOMMENDED PC BOARD LAYOUT  
 SCALE 5:1

SEE DETAIL P	30.48	6	3-796949-1
SEE DETAIL N	10.16	2	3-796949-0
SEE DETAIL M	40.64	8	2-796949-9
SEE DETAIL L	40.64	8	2-796949-8
-	127.00	25	2-796949-5
-	121.92	24	2-796949-4
-	116.84	23	2-796949-3
-	111.76	22	2-796949-2
-	106.68	21	2-796949-1
-	101.60	20	2-796949-0
-	96.52	19	1-796949-9
-	91.44	18	1-796949-8
-	86.36	17	1-796949-7
-	81.28	16	1-796949-6
-	76.20	15	1-796949-5
-	71.12	14	1-796949-4
-	66.04	13	1-796949-3
-	60.96	12	1-796949-2
-	55.88	11	1-796949-1
-	50.80	10	1-796949-0
-	45.72	9	796949-9
-	40.64	8	796949-8
-	35.56	7	796949-7
-	30.48	6	796949-6
-	25.40	5	796949-5
-	20.32	4	796949-4
-	15.24	3	796949-3
-	10.16	2	796949-2
MARKING	A	POSN	PART NUMBER

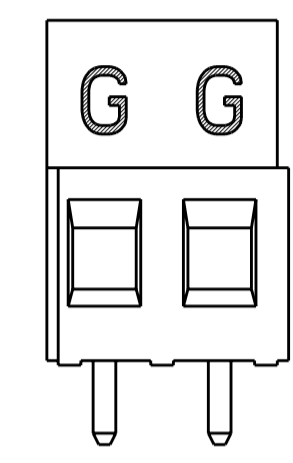
THIS DRAWING IS A CONTROLLED DOCUMENT.		DWN S.WELDON 22AUG2001	TE Connectivity NAME: TERMINAL BLOCK PCB MOUNT W/INTERLOCK, 5.08mm PITCH	
DIMENSIONS: mm		CHK D.BIEVENOUR 22AUG2001		
TOLERANCES UNLESS OTHERWISE SPECIFIED:		APVD D.BIEVENOUR 22AUG2001		
0 PLC ±0 1 PLC ±.3 2 PLC ±.25 3 PLC ±0 4 PLC ±0 ANGLES ±2° FINISH		PRODUCT SPEC - APPLICATION SPEC - WEIGHT -		
MATERIAL		SCALE 4:1		SIZE A2
		CAGE CODE 00779		DRAWING NO 796949
CUSTOMER DRAWING		SHEET 1 OF 2		REV DI

THIS DRAWING IS UNPUBLISHED.      RELEASED FOR PUBLICATION      20  
 © COPYRIGHT 20      ALL RIGHTS RESERVED.

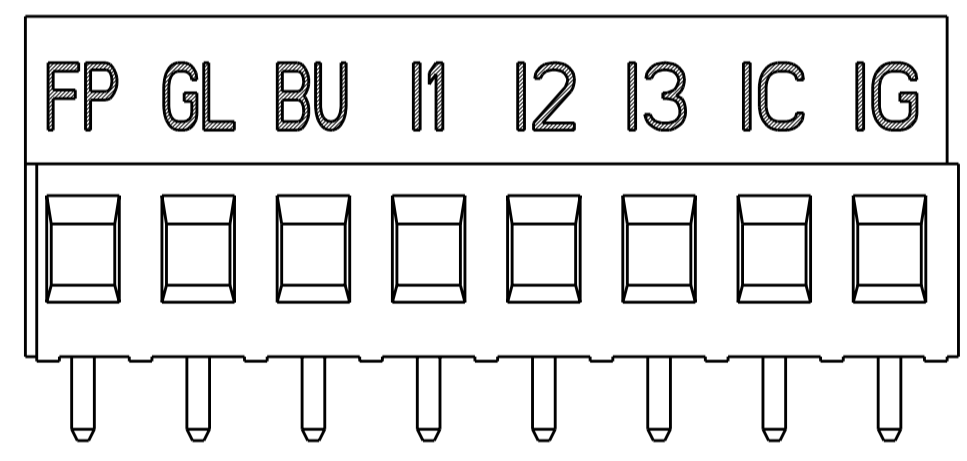
LOC	DIST	REVISIONS				
P	LTR	DESCRIPTION	DATE	DWN	APVD	
FT	0	-	SEE SHEET 1	-	-	



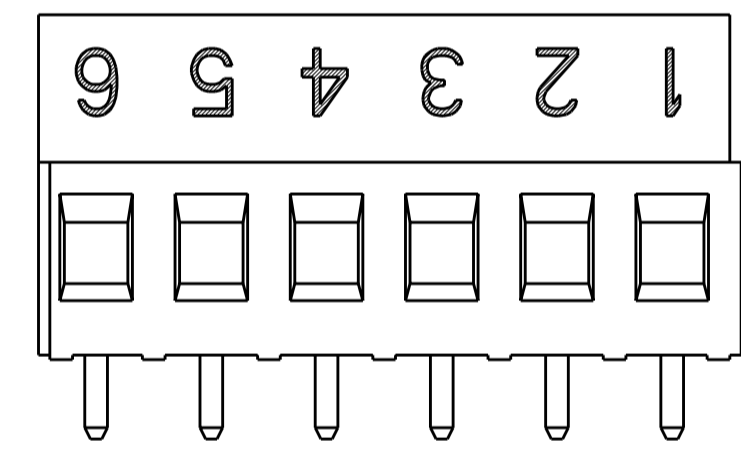
DETAIL L 



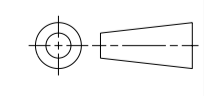
DETAIL N 



DETAIL M 



DETAIL P 

THIS DRAWING IS A CONTROLLED DOCUMENT.		DWN S. WELDON	22AUG2001	<b>STE</b> TE Connectivity
DIMENSIONS: mm		CHK D. BIEVENOUR	22AUG2001	
 TOLERANCES UNLESS OTHERWISE SPECIFIED: 0 PLC ±0 1 PLC ±.3 2 PLC ±.25 3 PLC ±0 4 PLC ±0 ANGLES ±2° FINISH		APVD D. BIEVENOUR	22AUG2001	
		PRODUCT SPEC APPLICATION SPEC WEIGHT		
MATERIAL	-	CUSTOMER DRAWING		RESTRICTED TO -
SCALE 4:1			SHEET 2 OF 2	REV D1