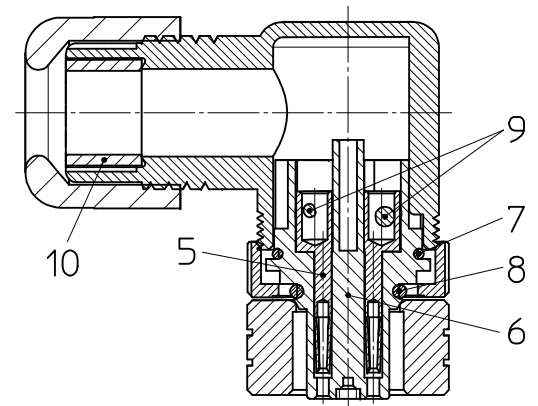
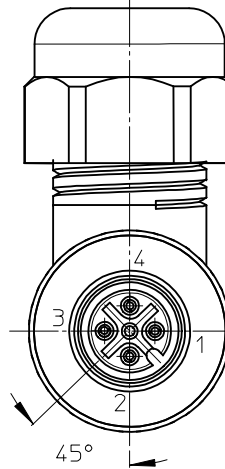


| ITEM | QTY | DESCRIPTION        | MATERIAL          | FINISH |
|------|-----|--------------------|-------------------|--------|
| 10   | 1   | M12 GROMMET PG9    | CR/NBR (BLACK)    | -      |
| 9    | 4   | SCREW M2.5x5.2     | ST                | ZN     |
| 8    | 1   | O-RING 7.1x1.35    | FPM 60 (RED)      | -      |
| 7    | 1   | O-RING 13x1        | NBR 70            | -      |
| 6    | 1   | FEMALE INSERT, 5P  | PA (BLACK)        | -      |
| 5    | 4   | FEMALE CONTACT PIN | COPPER ALLOY      | NI3b   |
| 4    | 1   | HUT NUT PG9        | PA6 (BLACK)       | -      |
| 3    | 1   | HSG RA PG9         | POLYAMIDE (BLACK) | -      |
| 2    | 1   | LOCK RING          | PA (BLACK)        | -      |
| 1    | 1   | COUPLING NUT       | BRASS             | ZN     |



ENG.-NO.: 8A4001-32

Notes:

- ELECTRICAL RATINGS:  
CURRENT: 4AMP MAX  
VOLTAGE: 250V AC/ 300V DC
- MECHANICAL:  
TEMPERATURE RANGE: -25° TO +90°C  
INGRESS PROTECTION: IP 67

| ENTER DESCRIPTION<br>EC NO: IPG2013-1023<br>DRW:RSCHIEBER 2013/01/16<br>CHKD:APOHL 2013/01/16<br>APPR:CBURGER 2013/01/29 | QUALITY SYMBOLS<br>▽=0<br>◻=0 | GENERAL TOLERANCES (UNLESS SPECIFIED) |        | DIMENSION STYLE<br>MM ONLY |  | SCALE<br>2:1                 | DESIGN UNITS<br>METRIC        | THIRD ANGLE PROJECTION |   |
|--|-------------------------------|---------------------------------------|--------|----------------------------|--|------------------------------|-------------------------------|------------------------|---|
|  |                               | mm                                    | INCH   | DRAWN BY<br>RSCHIEBER      | DATE<br>2013/01/16                                   | TITLE<br>FA M12 4P FE RA PG9 | molex                         |                        |   |
| 1  | DESCRIPTION                   | 4 PLACES                              | ± ---  | ± ---                      | CHECKED BY<br>APOHL                                  | DATE<br>2013/01/16           | DOCUMENT NO.<br>SD-120071-014 | SHEET NO.<br>1 OF 1    | THIS DRAWING CONTAINS INFORMATION THAT IS PROPRIETARY TO MOLEX INCORPORATED AND SHOULD NOT BE USED WITHOUT WRITTEN PERMISSION |
|  |                               | 3 PLACES                              | ± ---  | ± ---                      | APPROVED BY<br>CBURGER                               | DATE<br>2013/01/29           |                               |                        |   |
|  |                               | 2 PLACES                              | ± 0.05 | ± ---                      | MATERIAL NO.<br>1200715010                           |                              |                               |                        |   |
|  |                               | 1 PLACE                               | ± 0.10 | ± ---                      | DRAFT WHERE APPLICABLE MUST REMAIN WITHIN DIMENSIONS |                              |                               |                        |   |
|  |                               | 0 PLACE                               | ± 0.50 | ± ---                      | ANGULAR ± .5 °                                       |                              |                               |                        |   |