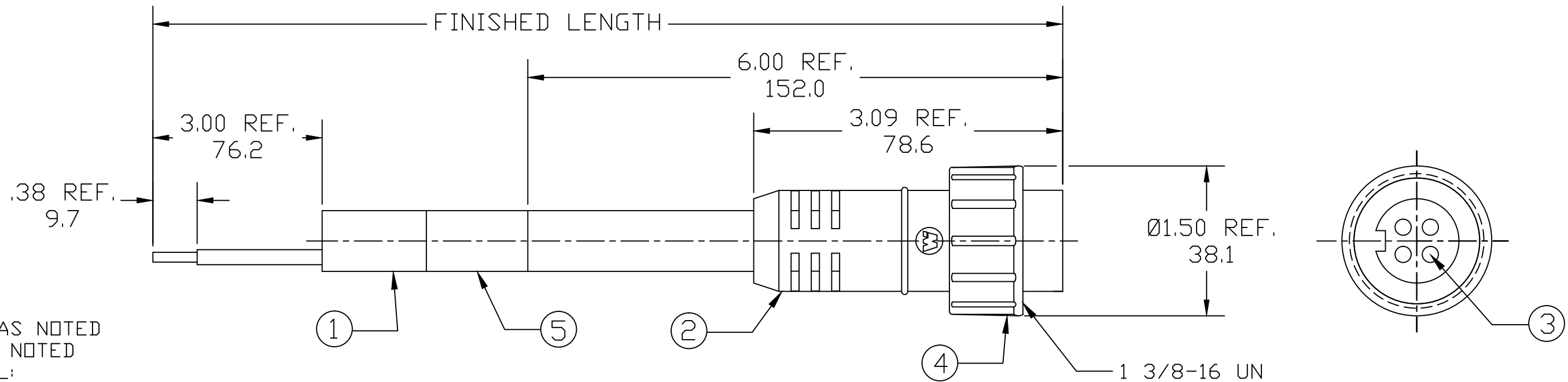


| POLES | MATERIAL NO. | ENGINEERING NO. | FINISHED LENGTH |
|-------|--------------|-----------------|------------------------------------|
| 4 | 1300000074 | 32638 | 6.0 FT. +2.19"-0 [183CM+56mm-0] |
| 4 | 1300000076 | 32639 | 12.0 FT. +3.50"-0 [366 CM +89mm-0] |
| 3 | 1300000044 | 32324 | 12.0 FT. +3.50"-0 [366 CM +89mm-0] |



- NOTES:
1. MATERIAL: AS NOTED
 2. FINISH: AS NOTED
 3. ELECTRICAL:
VOLTAGE: 600V AC/DC
CURRENT: 2 POLE: 18A
3 POLE: 18A
4 POLE: 15A
 4. TEMP RATING: -20°TO +105°C
 5. PROTECTION: IP67 (WHEN MATED)

| ITEM | COMPONENT | MATERIAL | FINISH |
|------|------------------|---------------|--------------|
| 5 | WRAP LABEL | VINYL | BLACK/YELLOW |
| 4 | COUPLING NUT | THERMOPLASTIC | BLACK |
| 3 | CONTACT SOCKET | COPPER ALLOY | UN-PLATED |
| 2 | OVERMOLD | RUBBER | YELLOW |
| 1 | CABLE-14 AWG SOW | CPE JACKET | YELLOW |

| ADD P/N 1300000044 EC NO: IPG2017-0018 DRWN: RSTONE 7/8/16 CHKD: K COX 2012/11/28 APPR: TWOLDEGE 2013/02/07 | QUALITY SYMBOLS ▽=0 ∇=0 | GENERAL TOLERANCES (UNLESS SPECIFIED) <table border="1" style="width: 100%; border-collapse: collapse;"> <thead> <tr> <th></th> <th>mm</th> <th>INCH</th> </tr> </thead> <tbody> <tr> <td>4 PLACES</td> <td>±---</td> <td>±---</td> </tr> <tr> <td>3 PLACES</td> <td>±---</td> <td>±---</td> </tr> <tr> <td>2 PLACES</td> <td>±---</td> <td>±.01</td> </tr> <tr> <td>1 PLACE</td> <td>±0.3</td> <td>±---</td> </tr> </tbody> </table> | | mm | INCH | 4 PLACES | ±--- | ±--- | 3 PLACES | ±--- | ±--- | 2 PLACES | ±--- | ±.01 | 1 PLACE | ±0.3 | ±--- | DIMENSION STYLE IN/MM DRAWN BY DATE RSTONE 2012/11/20 CHECKED BY DATE K JOZWIK --- APPROVED BY DATE JFMURPHY 2013/02/07 | SCALE --- DESIGN UNITS INCH | THIRD ANGLE PROJECTION | QUICK CHANGE CABLE ASSY 2-4P FEMALE, 14 AWG |
|---|-------------------------------|--|--------------|-----------|-----------|--------------------------------|------|------|----------|------|------|----------|------|------|---------|------|------|---|--------------------------------------|----------------------------|--|
| | | mm | INCH | | | | | | | | | | | | | | | | | | |
| | 4 PLACES | ±--- | ±--- | | | | | | | | | | | | | | | | | | |
| | 3 PLACES | ±--- | ±--- | | | | | | | | | | | | | | | | | | |
| 2 PLACES | ±--- | ±.01 | | | | | | | | | | | | | | | | | | | |
| 1 PLACE | ±0.3 | ±--- | | | | | | | | | | | | | | | | | | | |
| DRAFT WHERE APPLICABLE MUST REMAIN WITHIN DIMENSIONS | | | | SEE CHART | | | | | | | | | | | | | | | | | |
| MATERIAL NO. | | | DOCUMENT NO. | | SHEET NO. | SD-130000-004 1 OF 1 | | | | | | | | | | | | | | | |
| THIS DRAWING CONTAINS INFORMATION THAT IS PROPRIETARY TO MOLEX INCORPORATED AND SHOULD NOT BE USED WITHOUT WRITTEN PERMISSION | | | | | | | | | | | | | | | | | | | | | |