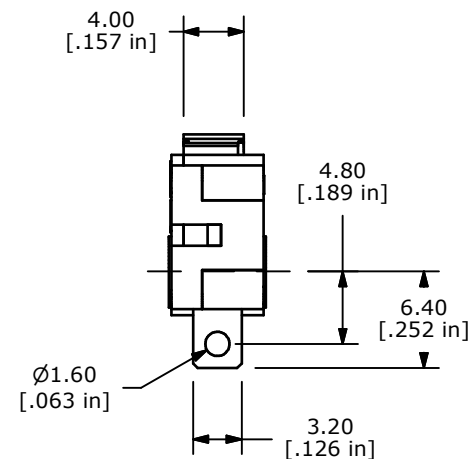
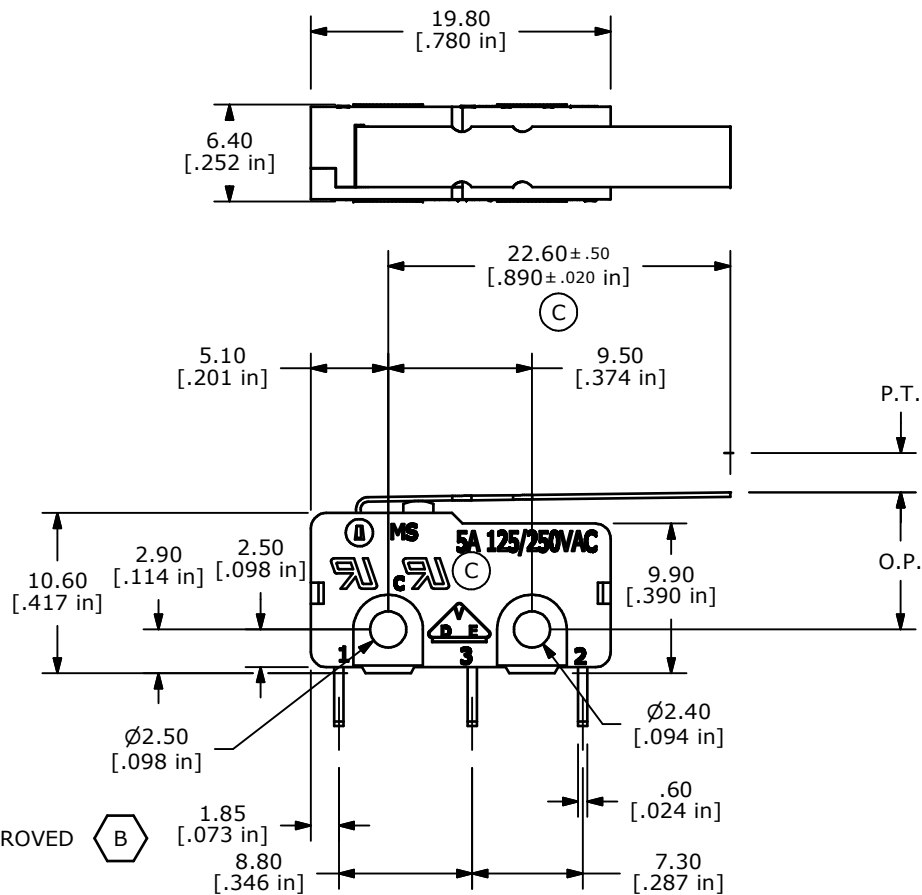
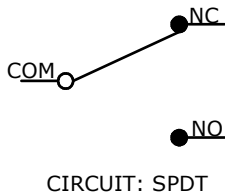


ISOMETRIC

O.P. (MM)	P.T. (MM)
9.5 ±0.8	4.2 MAX

O.P. = OPERATING POINT
P.T. = PRE-TRAVEL



- NOTES:
1. ALL DIMENSIONS IN MM [INCH]
 2. GENERAL TOLERANCE: X.X=±0.4
X.XX=±0.25
 3. RATING: 5A @125/250VAC UL, CUL, VDE, APPROVED
 - ▲ 4. OPERATING FORCE: 25±12 GRAMS
 5. OPERATING TEMP: -25°C TO 85°C
 6. ELECTRICAL LIFE: 50,000 CYCLES MIN. (C)
 7. MECHANICAL LIFE: 1,000,000 CYCLES TYP. (C)
 8. INSULATION RESISTANCE: 100 MΩ
 9. DIELECTRIC STRENGTH: 1000VAC 1 MINUTE (INITIAL VALUE)
 10. CONTACT RESISTANCE: 100 MILLI-OHMS MAX.
 11. ▲ DENOTES CRITICAL PARAMETER.
 12. 2002/95/EC (ROHS) COMPLIANT (C)

E	15702	DIM FROM 5.15 TO 5.10	1/25/06	PH
D	15610	CHANGE RATING ON SWITCH	12/15/05	PH
C	15599	CHANGES NOTED	12/12/05	PH
B	15090	CORRECTED NOTE 3	7/12/05	JB
A	15002	RELEASED FOR PRODUCTION	6/30/05	JB
REV	PCR NO	DESCRIPTION	DATE	BY



TITLE MS0850503F025S1A

SCALE	DATE	DR	DWG	REV
2:1	6/30/2005	JB	Q970016	E

THE INFORMATION CONTAINED IN THIS DOCUMENT IS PROPRIETARY TO E-SWITCH AND IS NOT TO BE COPIED OR TRANSFERRED