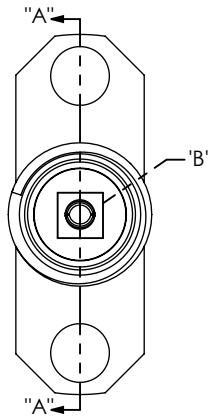
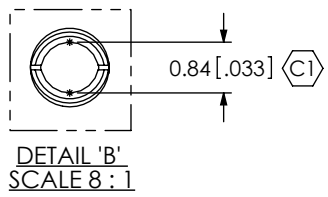


DO NOT SCALE FROM THIS PRINT

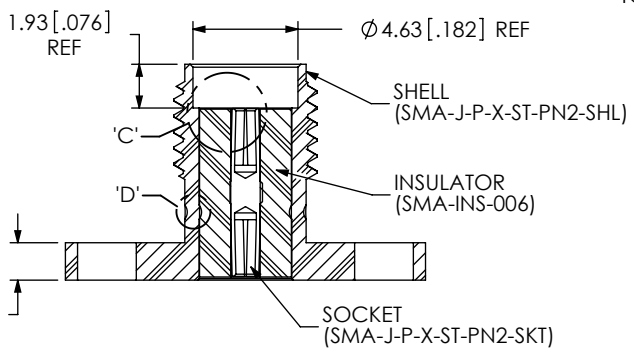
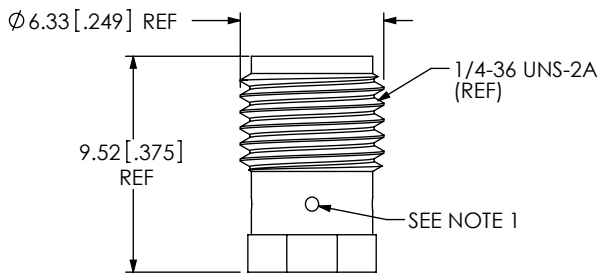
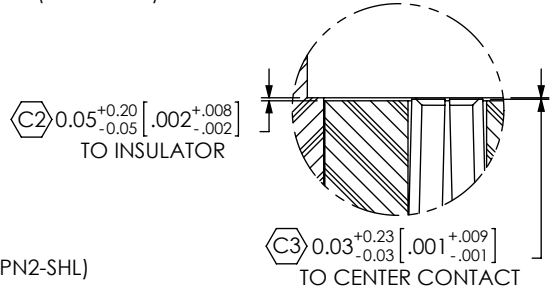


DESIGNED & DIMENSIONED IN MILLIMETERS [INCHES]

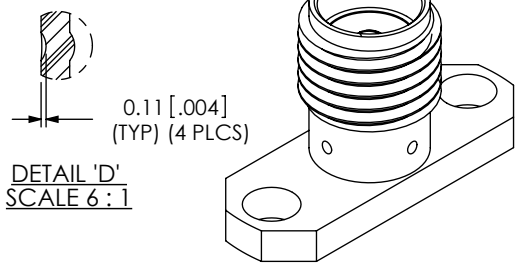
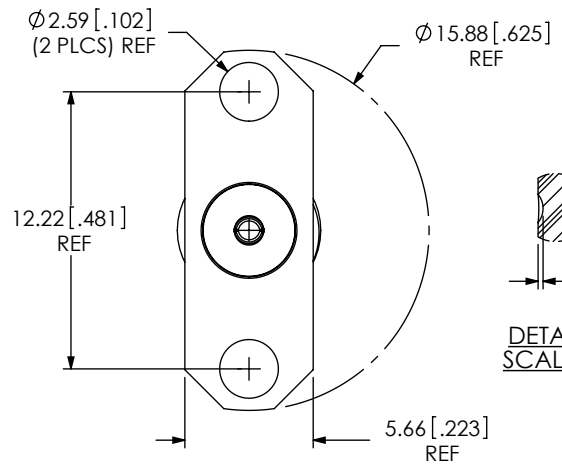


**SMA-J-P-X-ST-PN2**  
 GENDER -J: JACK  
 TYPE -P: PCB  
 TERMINATION -PN2: PANEL MOUNT  
 ORIENTATION -ST: STRAIGHT

PLATING SPECIFICATION  
 -H: HEAVY GOLD (SEE TABLE 1)

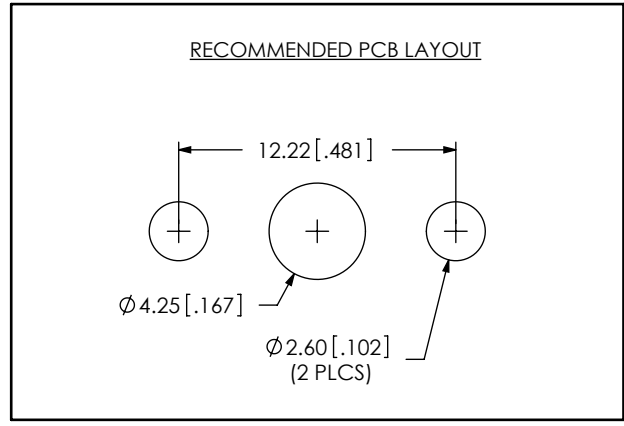


DETAIL 'C' SCALE 8:1



SECTION "A"-A"

DETAIL 'D' SCALE 6:1



- NOTES:
1.  $\text{C}$  REPRESENTS A CRITICAL DIMENSION.
  2. STAKE AROUND CIRCUMFERENCE 4 INDENTSEQUALLY SPACED.
  3. PUSHOUT FORCE FOR INSULATOR: 44.48 N [10 LB] MIN.
  4. CENTER CONTACT PUSHOUT FORCE: 13.35 N [3 LB] MIN.
  5. PARTS TO BE PACKAGED IN TRAYS; IF QUANTITY IS LESS THAN HALF TRAY, PARTS TO BE PACKAGED IN COHESIVE FOAM
  6. RoHS COMPLIANT.

F:\DWG\MISC\MKTG\SMA-J-P-X-ST-PN2-MKT.SLDDRW

UNLESS OTHERWISE SPECIFIED, DIMENSIONS ARE IN MILLIMETERS [INCHES]. TOLERANCES ARE:  
 DECIMALS ANGLES  
 .X:  $\pm 0.3$  [.01] 2°  
 .XX:  $\pm 0.13$  [.005]  
 .XXX:  $\pm 0.051$  [.0020]

**PROPRIETARY NOTE**  
 THIS DOCUMENT CONTAINS INFORMATION CONFIDENTIAL AND PROPRIETARY TO SAMTEC, INC. AND SHALL NOT BE REPRODUCED OR TRANSFERRED TO OTHER DOCUMENTS OR DISCLOSED TO OTHERS OR USED FOR ANY PURPOSE OTHER THAN THAT WHICH IT WAS OBTAINED WITHOUT THE EXPRESSED WRITTEN CONSENT OF SAMTEC, INC.

**samtec**  
 520 PARK EAST BLVD, NEW ALBANY, IN 47150  
 PHONE: 812-944-6733 FAX: 812-948-5047  
 e-Mail: info@SAMTEC.com code: 55322

TABLE 1: MATERIAL

SAMTEC PART NUMBER	ITEM	MATERIAL	PLATING - (REFERENCE)
SMA-J-P-X-ST-PN2-SHL	SHELL	BRASS C3604B	0.00013[.000005] GOLD OVER .00127[.000050] NICKEL
SMA-INS-006	INSULATOR	PTFE TEFLON (WHITE)	N/A
SMA-J-P-X-ST-PN2-SKT	SOCKET	BeCu C17300	0.00076[.000030] GOLD OVER .00127[.000050] NICKEL

MATERIAL: SEE TABLE 1  
 DO NOT SCALE DRAWING  
 SHEET SCALE: 3:1

DESCRIPTION: SMA STRAIGHT, PANEL MOUNT JACK- 50 OHM  
 DWG. NO. **SMA-J-P-X-ST-PN2**  
 BY: R MUSSER 01/28/2008 SHEET 1 OF 1