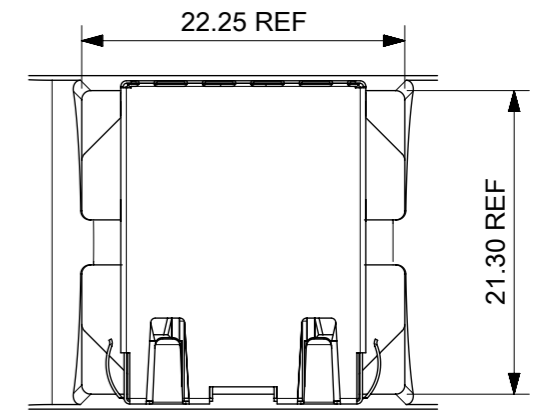
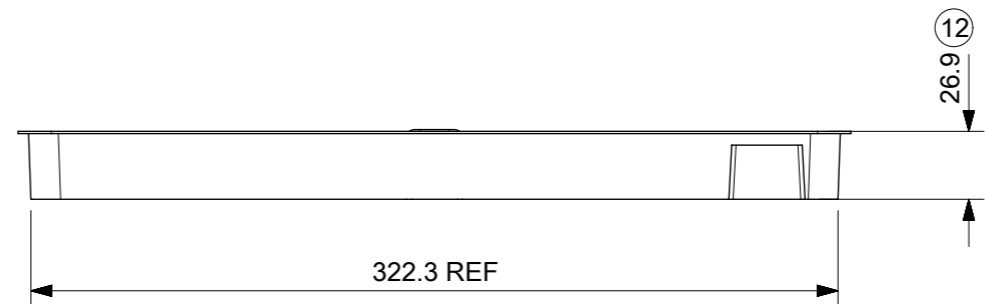
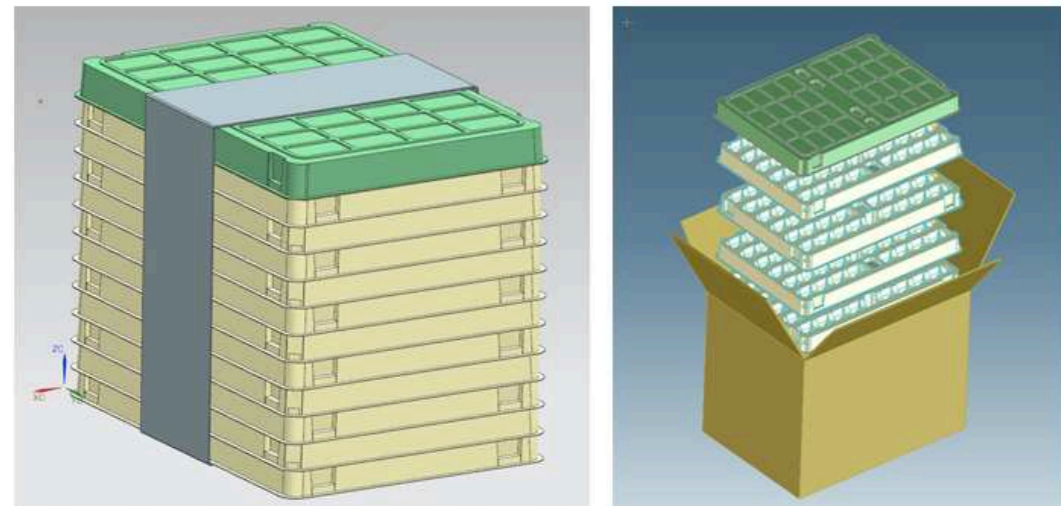
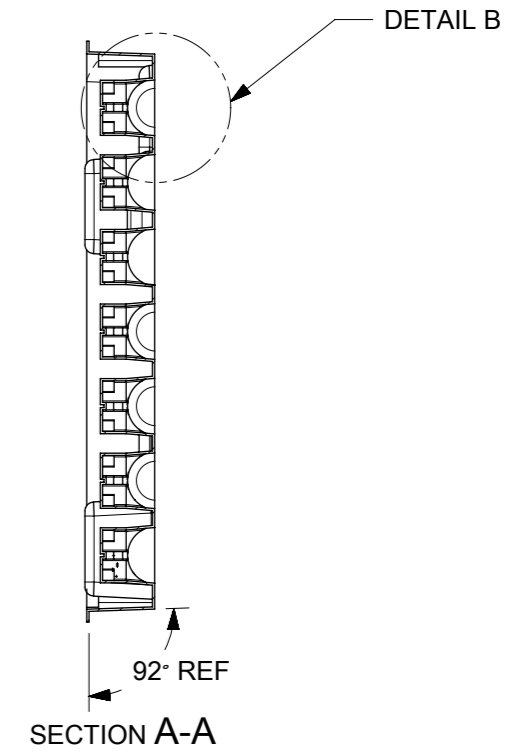
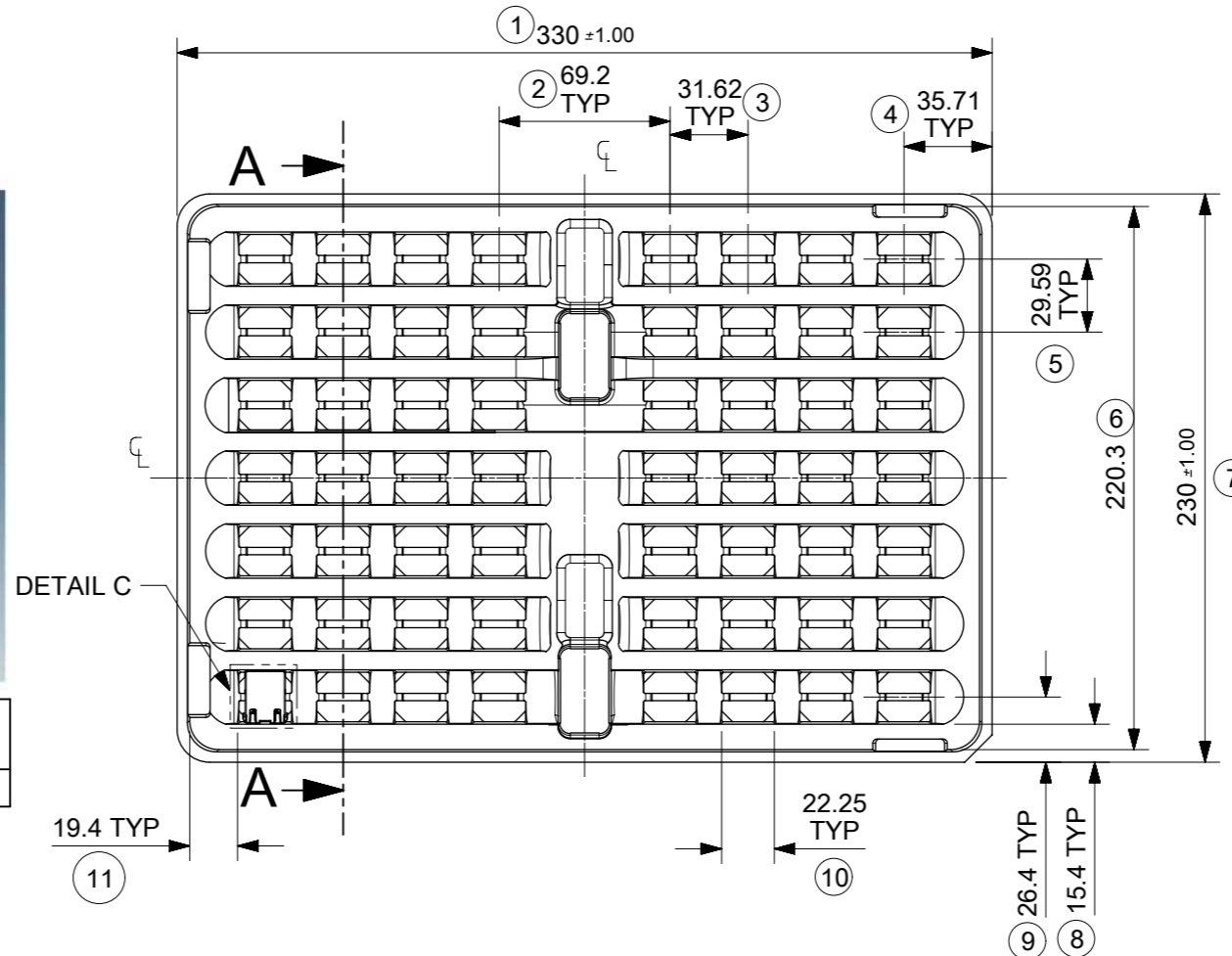


DETAIL B



DETAIL C
SCALE 2:1



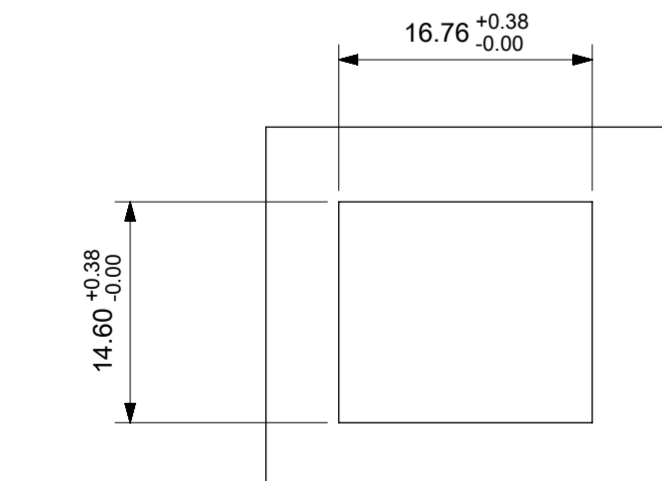
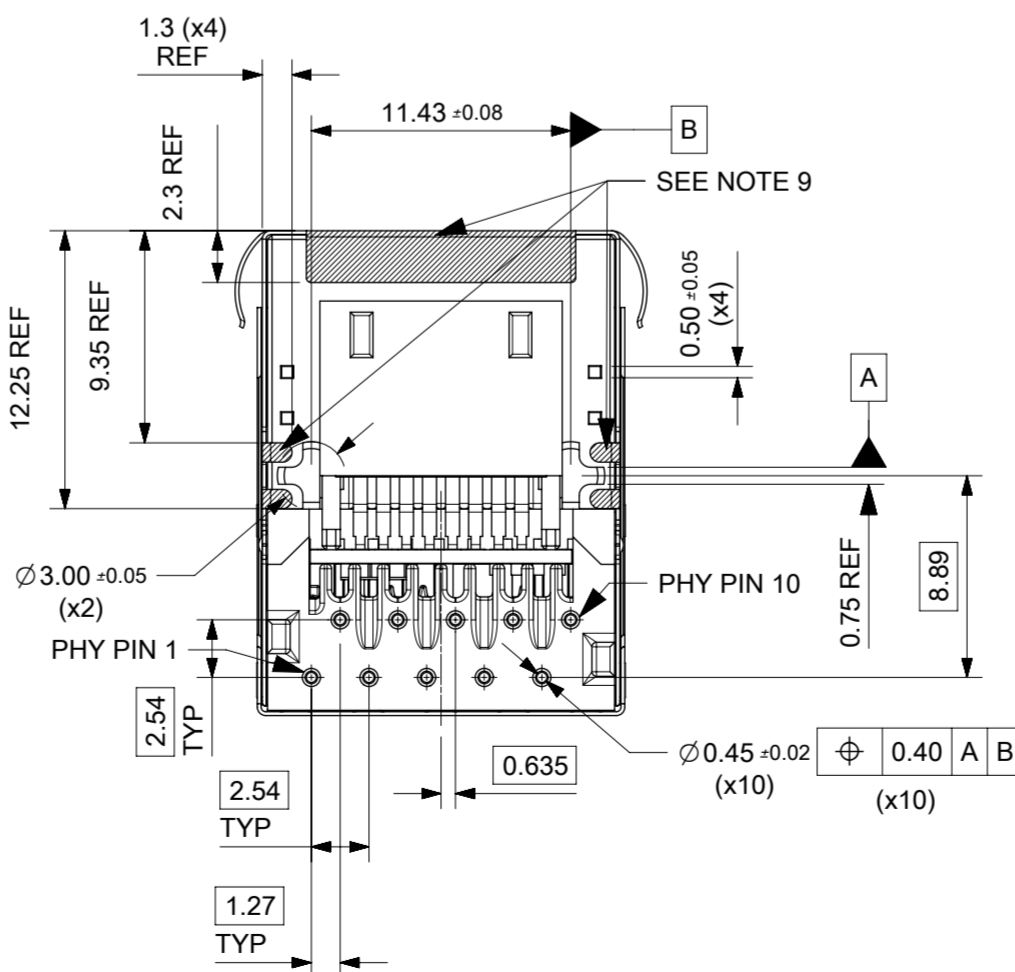
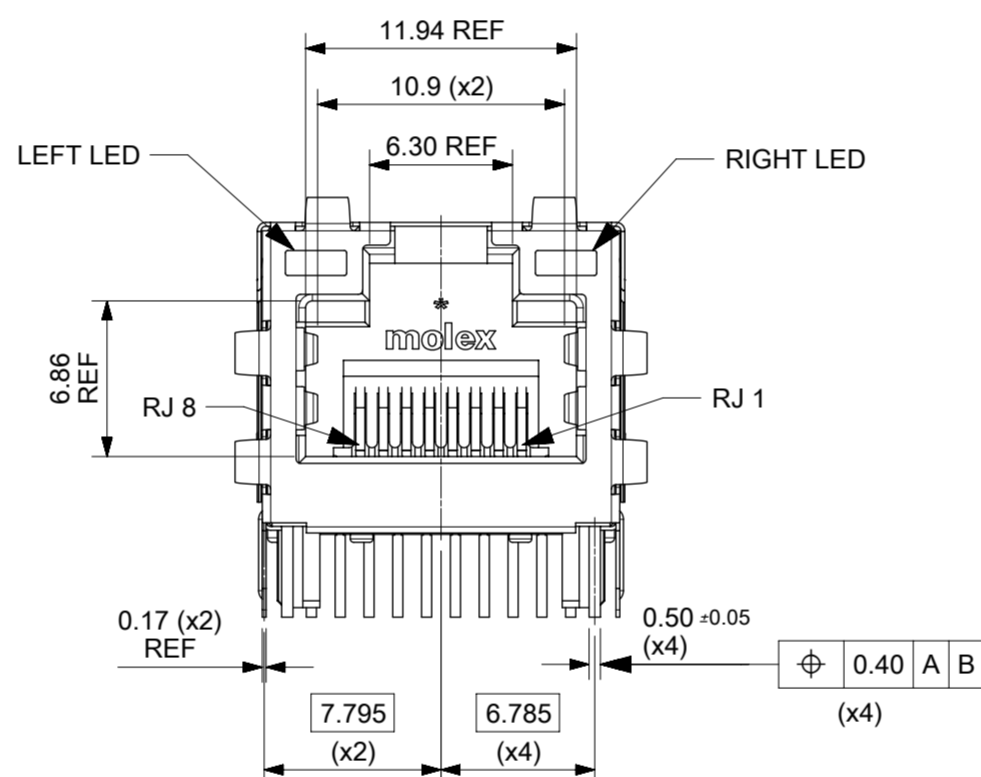
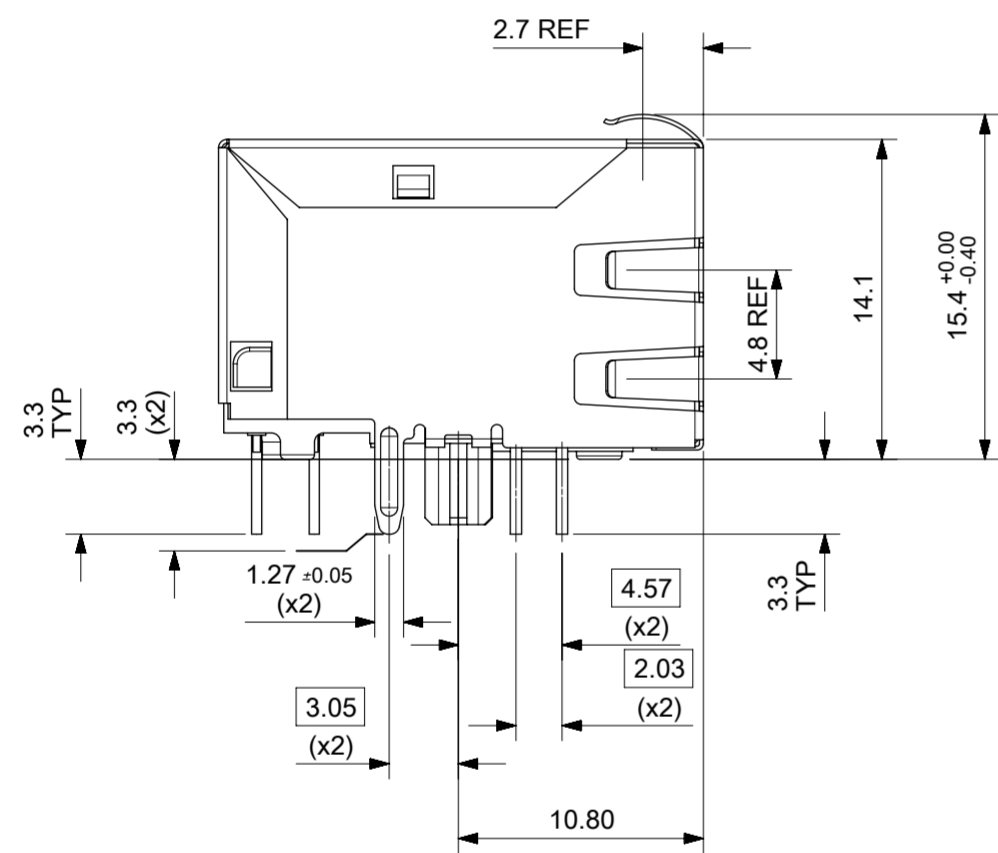
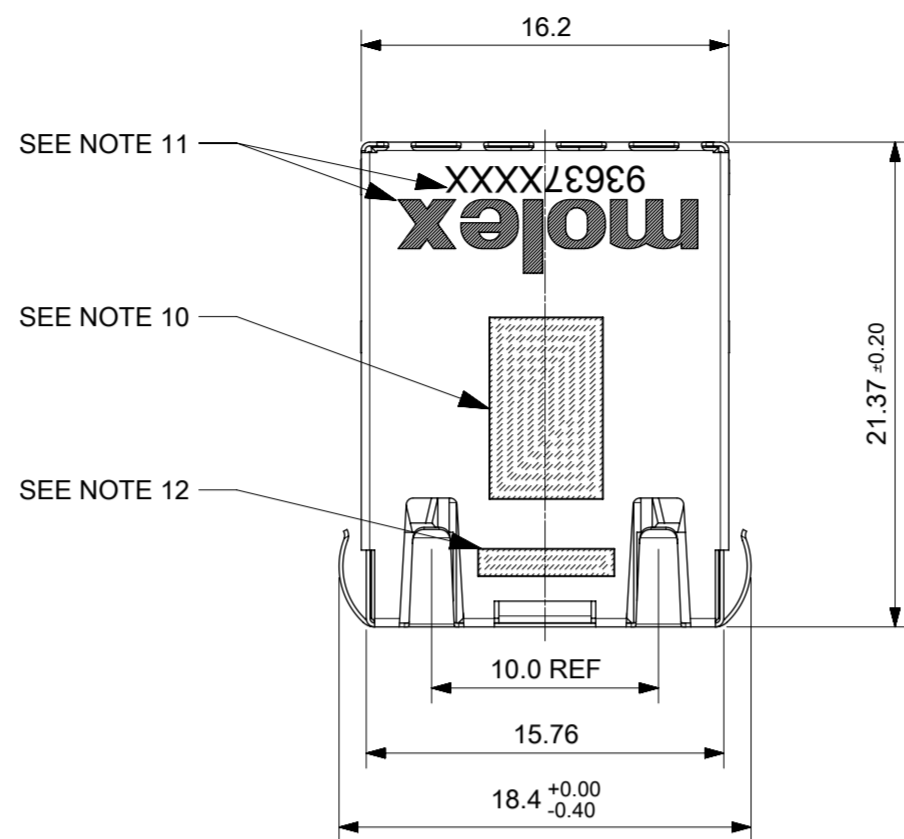
VERSION	QUANTITY PER TRAY	QUANTITY OF TRAYS PER BOX	QUANTITY PER BOX	QUANTITY PER PALLET
0.85" VERSION	56	12	672	18,144

- NOTES:
- MATERIAL: PETA ANTISTATIC
 - THICKNESS: 0.9mm ±0.05mm
 - COLOUR: CLEAR
 - BOW 2mm MAXIMUM PER 330mm
 - TWIST 2mm MAXIMUM PER 330mm
 - TRAY PART NO. AND RECYCLE LOGO TO BE CLEARLY MARKED ON TRAY
RECYCLE LOGO SHOULD BE APPROPRIATE TO MATERIAL USED
 - WHERE RELEVANT, DIMENSIONS SHOULD BE SYMMETRICAL ABOUT THE CENTRELINE
 - GENERAL PROFILE TOLERANCE 0.40 ON NON DIMENSIONED FEATURES

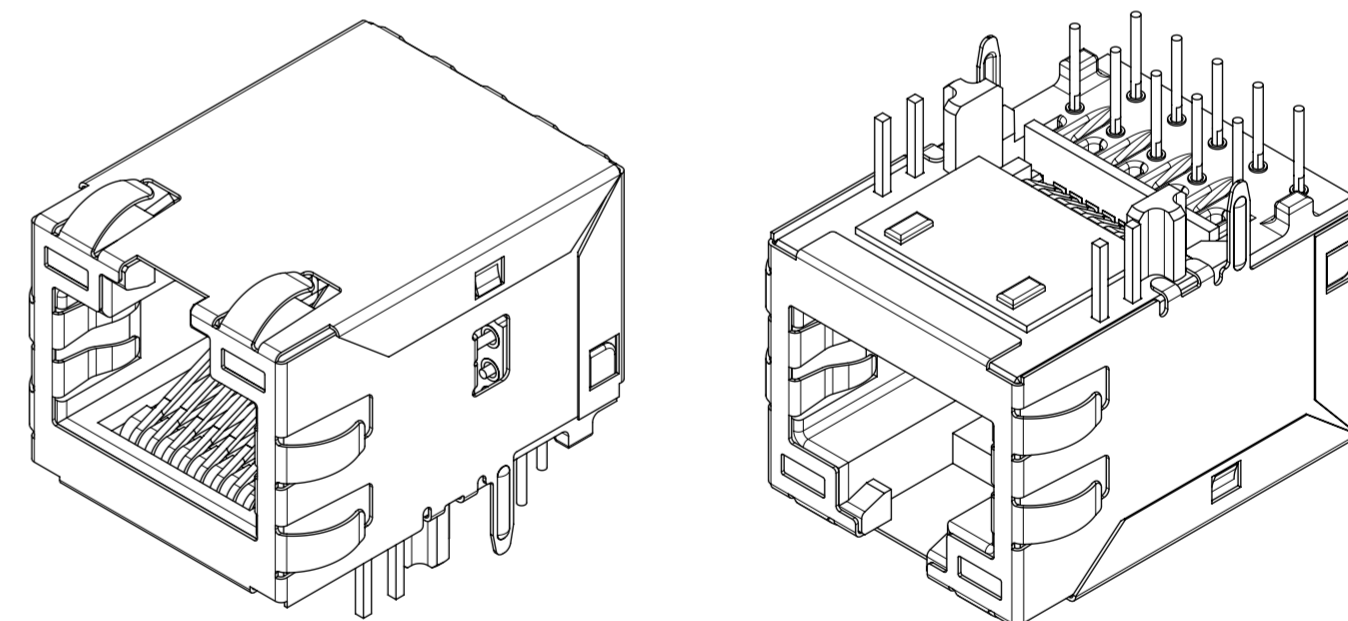
LAST INSPECTION NUMBER USED: 12

THIS DRAWING CONTAINS INFORMATION THAT IS PROPRIETARY TO MOLEX ELECTRONIC TECHNOLOGIES, LLC AND SHOULD NOT BE USED WITHOUT WRITTEN PERMISSION												
QUALITY SYMBOLS	FA = 0	ORIGINAL RELEASE	2016/10/04	GENERAL TOLERANCES (UNLESS SPECIFIED)	DIMENSION UNITS		SCALE		 MXMAG STANDARD AND INVERTED TRAY			
	FE = 0		2016/12/07		MM	1:3						
	FF = 0		2016/12/07		ANGULAR TOL ± 1.0 °		DRWN BY	DATE				
FD = 0	EC NO: 109024	DRWN: DALLENO1	4 PLACES ±	KREILLY	2016/05/06							
FC = 0	CHK'D: DALLENO1	CHK'D: DALLENO1	3 PLACES ±	CHK'D BY	DATE	PRODUCT CUSTOMER DRAWING						
FB = 0	APPR: STGRIFFIN	APPR: STGRIFFIN	2 PLACES ± 0.2	APPR BY	DATE	SERIES	MATERIAL NUMBER	CUSTOMER				
FD = 0			1 PLACE ± 0.5	DRAWING SIZE	THIRD ANGLE PROJECTION	93462	990250150	GENERAL MARKET				
FE = 0			0 PLACES ±	A3		DOCUMENT NUMBER		DOC TYPE	DOC PART	SHEET NUMBER		
FF = 0			DRAFT WHERE APPLICABLE MUST REMAIN WITHIN DIMENSIONS			934620003	PSD	K	1 OF 1			

INVERTED PROFILE MAGNETIC JACK
GIGABIT ETHERNET W/LED
AND W/SHIELD TABS



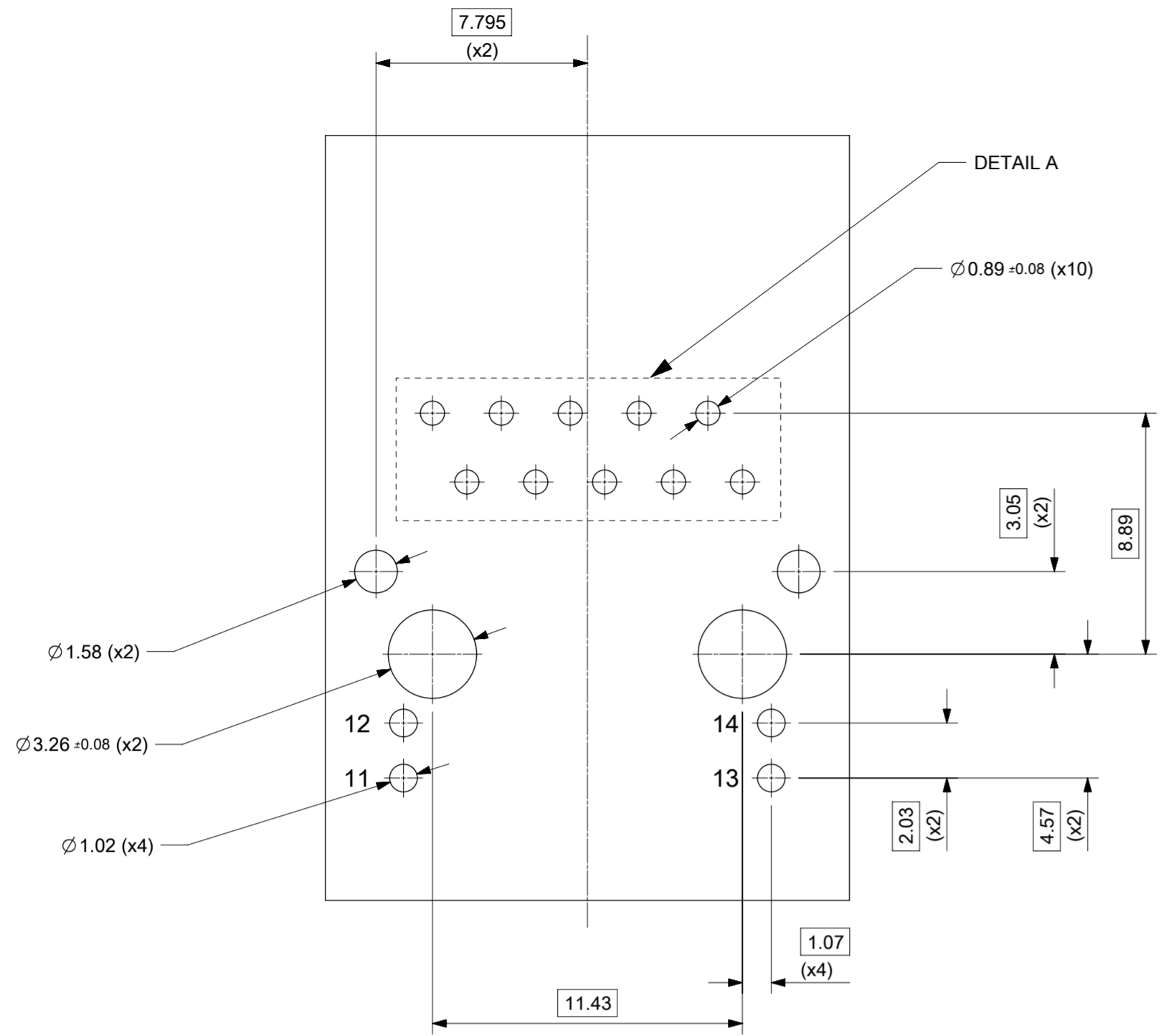
SUGGESTED PANEL CUT-OUT



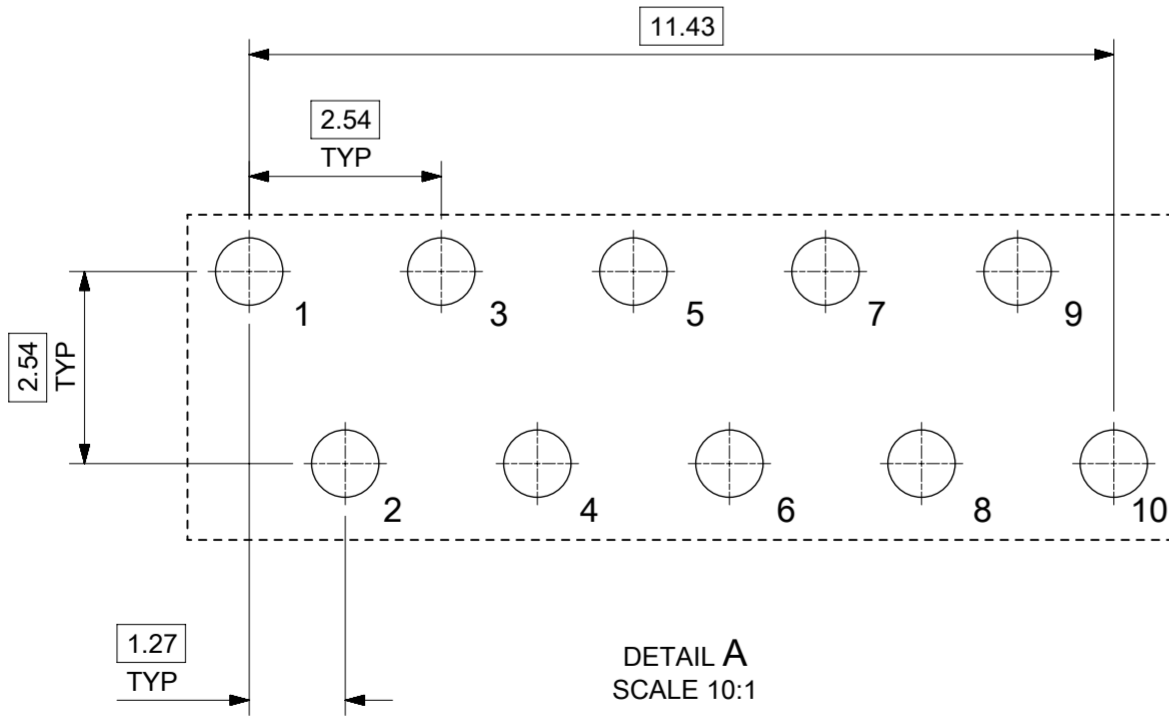
- NOTES:
- SHIELD MATERIAL: 0.17 mm THICK BRASS PRE-PLATED WITH NICKEL
SOLDER TABS POST DIPPED WITH MIN 1.27 μm TIN
 - HOUSING MATERIAL: LCP, BLACK, UL 94V-0
 - TERMINALS MATERIAL: PHOSPHOR BRONZE
RJ45 CONTACTS PLATING: BASE NICKEL PLATED WITH GOLD
FLASH OVER PALLADIUM NICKEL. REFER TO 934620001 PSP
PHY SOLDER TAILS: COPPER ALLOY
 - MATING INTERFACE ACCORDING TO IEC 60603-7 & TIA-1096-A
 - PRODUCT SPECIFICATION: 934620001 PSP
 - PACKAGING SPECIFICATION: 934620001 PSK TRAY
 - STAND OFF TO SYSTEM BOARD 0.30 mm MIN
 - RECOMMENDED PCB THICKNESS: 1.57 mm
 - SHIELD: AVOID ROUTING ANY TRACES
OR PLACING ANY VIAS BELOW THESE AREAS
 - AREA FOR PICK AND PLACE: 5.0 mm X 8.0 mm
 - INSCRIPTION MARKED BY LASER:
1st : MOLEX
2nd : P/N (SEE BOM)
 - INSCRIPTION MARKED BY LASER:
DATE CODE(DAY/WEEK/YEAR)
 - MATERIAL COMPLIANT TO RoHS DIRECTIVE 2002/95/EC

THIS DRAWING CONTAINS INFORMATION THAT IS PROPRIETARY TO MOLEX ELECTRONIC TECHNOLOGIES, LLC AND SHOULD NOT BE USED WITHOUT WRITTEN PERMISSION

REVISED EC NO: 116686 DRWN: KREILLY CHKD: DSHEA APPR: DBYRNES	2017/05/09	GENERAL TOLERANCES (UNLESS SPECIFIED)	DIMENSION UNITS	SCALE				
	2017/09/12	ANGULAR TOL ± 2.0 °	mm	3:1				
	2017/09/26	4 PLACES ±	DRWN BY	DATE		INV MX-MAG 12 CORE GIG W/LEDS W/SHIELDS		
		3 PLACES ±	KREILLY	2015/09/29				
		2 PLACES ± 0.1	CHK'D BY	DATE		PRODUCT CUSTOMER DRAWING		
	1 PLACE ± 0.2	DBYRNES	2017/02/22					
	0 PLACES ±	APPR BY	DATE	SERIES	MATERIAL NUMBER	CUSTOMER		
		STGRIFFIN	2015/11/19	93637	SEE TABLE ON SHEET 2	GENERAL MARKET		
		DRAFT WHERE APPLICABLE MUST REMAIN WITHIN DIMENSIONS	DRAWING SIZE	THIRD ANGLE PROJECTION	DOCUMENT NUMBER	DOC TYPE	DOC PART	SHEET NUMBER
			A2		936370003	PSD	000	1 OF 3



SUGGESTED BOARD LAYOUT
GIGABIT VERSION
COMPONENT SIDE
ALL DIMS REFERENC DIMS



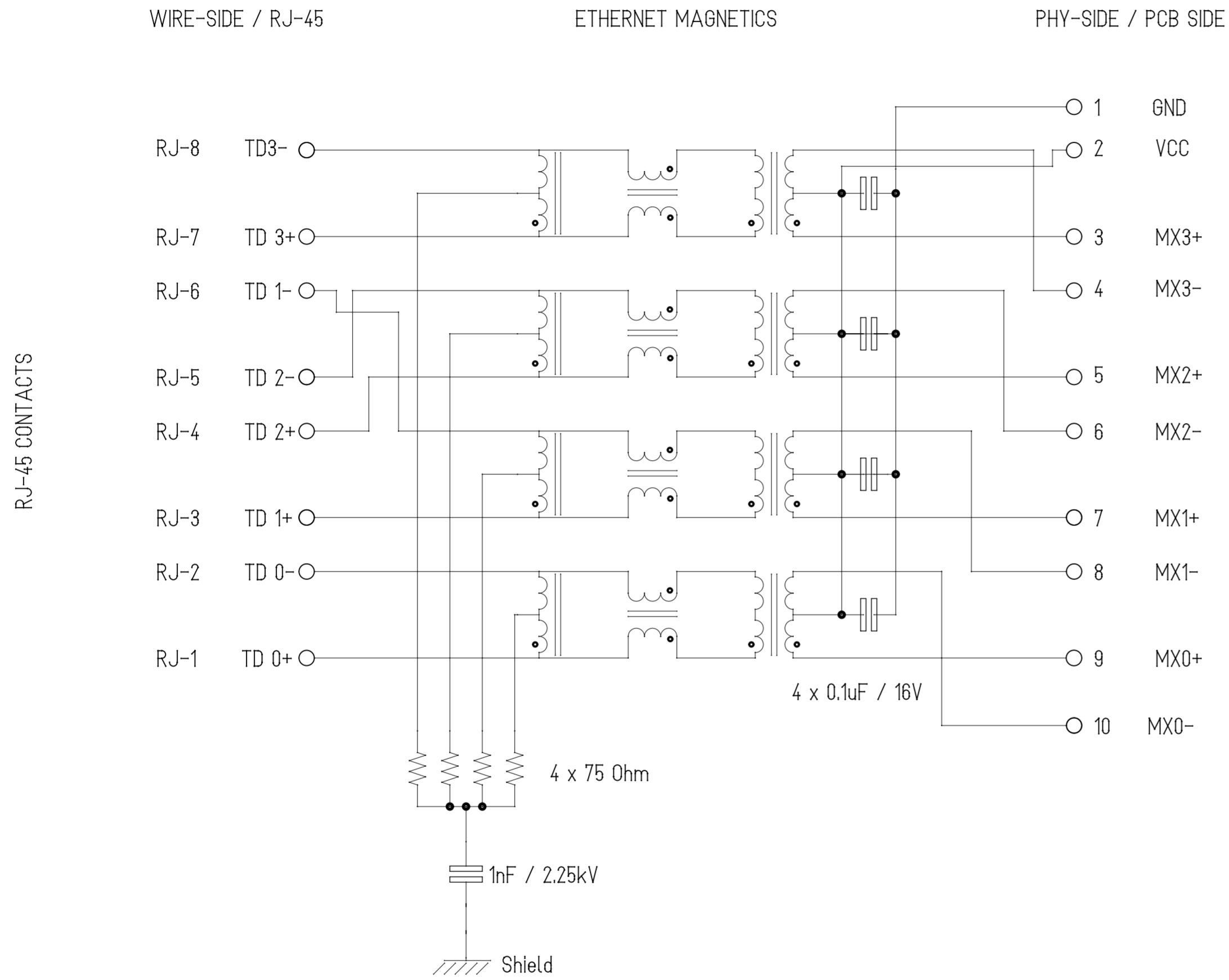
DETAIL A
SCALE 10:1

PIN CONFIGURATION
FOR GIGABIT VERSION

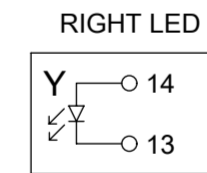
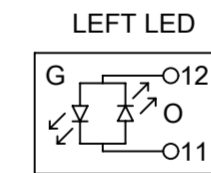
PART NUMBER	LEFT LED	RIGHT LED
93637-8617	GREEN/ORANGE	YELLOW

THIS DRAWING CONTAINS INFORMATION THAT IS PROPRIETARY TO MOLEX ELECTRONIC TECHNOLOGIES, LLC AND SHOULD NOT BE USED WITHOUT WRITTEN PERMISSION												
REVISED	EC NO: 116686	2017/05/09	GENERAL TOLERANCES (UNLESS SPECIFIED)	DIMENSION UNITS	SCALE	molex INV MX-MAG 12 CORE GIG W/LEDS W/SHIELDS						
	DRWN: KREILLY	2017/09/12	4 PLACES ±	mm	5:1							
	CHKD: DSHEA	2017/09/26	3 PLACES ±	ANGULAR TOL ± 2.0 °	DRWN BY	DATE	KREILLY 2015/09/29					
	REV	APPR: DBYRNES	2017/09/26	2 PLACES ± 0.1	CHK'D BY	DATE	DBYRNES 2017/02/22					
	C			1 PLACE ± 0.2	APPR BY	DATE	STGRIFFIN 2015/11/19					
			0 PLACES ±	DRAFT WHERE APPLICABLE MUST REMAIN WITHIN DIMENSIONS	DRAWING SIZE	THIRD ANGLE PROJECTION	PRODUCT CUSTOMER DRAWING		SERIES MATERIAL NUMBER CUSTOMER			
					A2		93637	SEE TABLE	GENERAL MARKET			
							DOCUMENT NUMBER	DOC TYPE	DOC PART	SHEET NUMBER		
							936370003	PSD	000	2 OF 3		

Description	Value	
OCL @100 kHz, 0.1 V 8 mA DC bias (-40°C to +85°C)	350 µH min.	
Turns ratio	1CT:1CT	
Transmission characteristics @ 25°C, all four pairs		
Insertion Loss		
Frequency f, (MHz)	Limits (dB max.)	Typical Values (dB max.)
1.0-9.9	0.4+0.1*log(f)	0.5 @ 10 MHz
10-49.9	0.5+0.3*log(f/10)	0.7 @ 50 MHz
50-79.9	1+1.4*log(f/80)	1.0 @ 80 MHz
80-100	1.3+3*log(f/100)	1.3 @ 100 MHz
Return Loss		
Frequency f, (MHz)	Limits (dB min.)	Typical Values (dB min.)
1.0-39.9	18	18 @ 40 MHz
40-100	12-20*log(f/80)	10 @ 100 MHz
CMR		
Frequency f, (MHz)	Limits (dB min.)	Typical Values (dB min.)
1.0-100	30	30 @ 100 MHz
Next		
Frequency f, (MHz)	Limits (dB min.)	Typical Values (dB min.)
1.0-39.9	35	35 @ 40 MHz
40-100	33-20*log(f/50)	27 @ 100 MHz
Isolation PHY to wire side		
2.25 kVDC/60sec		



ETHERNET TERMINALS



THIS DRAWING CONTAINS INFORMATION THAT IS PROPRIETARY TO MOLEX ELECTRONIC TECHNOLOGIES, LLC AND SHOULD NOT BE USED WITHOUT WRITTEN PERMISSION									
REVISED	EC NO: 116686	2017/05/09	GENERAL TOLERANCES (UNLESS SPECIFIED)	DIMENSION UNITS	SCALE	molex			
	DRWN: KREILLY	2017/09/12	(UNLESS SPECIFIED)	mm	1:1				
	CHK'D: DSHEA	2017/09/26	ANGULAR TOL ± 2.0 °	DRWN BY	DATE	INV MX-MAG 12 CORE GIG W/LEDS W/SHIELDS			
	REV APPR: DBYRNES	2017/09/26	4 PLACES ±	KREILLY	2015/09/29				
			3 PLACES ±	CHK'D BY	DATE	PRODUCT CUSTOMER DRAWING			
		2 PLACES ± 0.1	DBYRNES	2017/02/22					
		1 PLACE ± 0.2	APPR BY	DATE	SERIES MATERIAL NUMBER CUSTOMER				
		0 PLACES ±	STGRIFFIN	2015/11/19					
		DRAFT WHERE APPLICABLE MUST REMAIN WITHIN DIMENSIONS	DRAWING SIZE	THIRD ANGLE PROJECTION	93637		SEE TABLE ON SHEET 2		GENERAL MARKET
C			A2		DOCUMENT NUMBER		DOC TYPE		DOC PART SHEET NUMBER
					936370003		PSD		000 3 OF 3