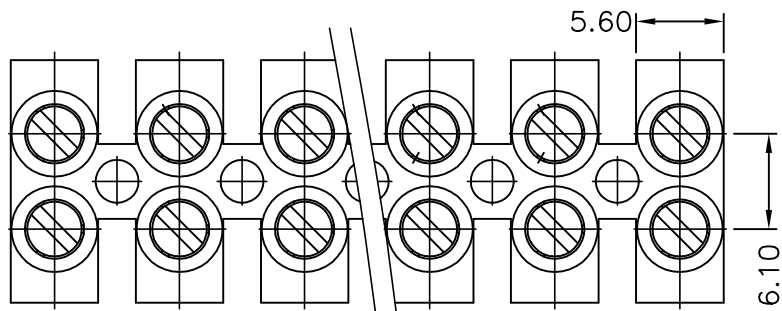
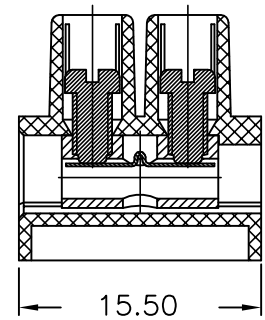
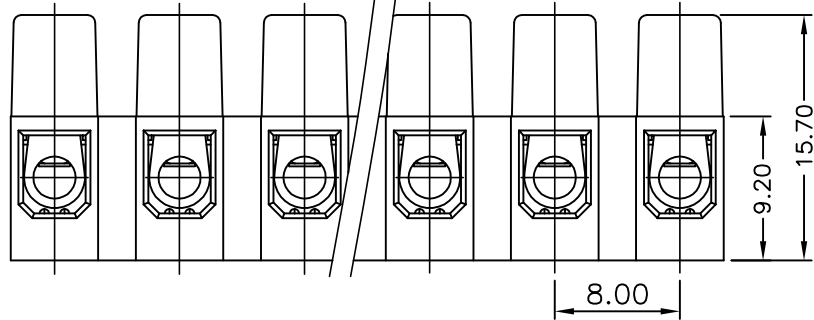
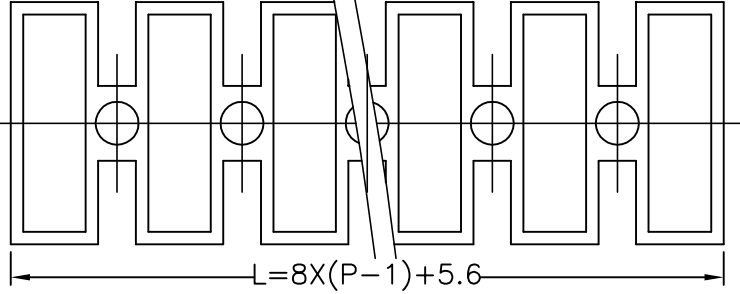


SIGN	DATE	DESCRIPTION	APPROVER
<i>THIS IS CAD DRAWING, DO NOT REVISE MANUALLY!!!</i>			



NOTES:

1. Rating: 300V 15A (UL)
2. Insulation Withstanding Voltage: AC2000V/MIN
3. Insulation Resistance: $\geq 500M\Omega$ or more at DC500V
4. Temperature Range: $-33^{\circ}C/+105^{\circ}C$
5. Screw Torque Value: 3.5 lbf-in (UL)
6. Suitable Electric Wire: 14-22AWG

RoHS Compliant

DIM	P	2	3	4	5	6	7	8	9	10	11	12
L	13.6	21.6	29.6	37.6	45.6	53.6	61.6	69.6	77.6	85.6	93.6	
TOL. (±)	0.08	0.12	0.16	0.20	0.24	0.28	0.32	0.36	0.40	0.44	0.48	



THESE DRAWINGS AND SPECIFICATIONS ARE THE PROPERTY OF ON-SHORE TECHNOLOGY, INC. AND SHALL NOT BE REPRODUCED, COPIED OR USED IN ANY MANNER WITHOUT THE PRIOR WRITTEN CONSENT OF ON-SHORE TECHNOLOGY, INC.

TITLE		ES0800 Series - 8.0mm Euro Strip, Wire guard, flat base					
PART NO.	ES0800/XXDSFB	DCX - number of poles per row		DWG NO.	ES0800/XXDSFB.DWG		
APPROVED	CHECKED	DESIGNED	DRAWN	5020		Tolerance	
KSZ 2007.08.01	KSZ 2007.08.01	KSZ 2007.08.01	KSZ 2007.08.01			UNIT: mm	.X ±015
				SHEET: 01/01		SCALE: NONE	.XX ±0.075
						REV.: A	.XXX ±0.05