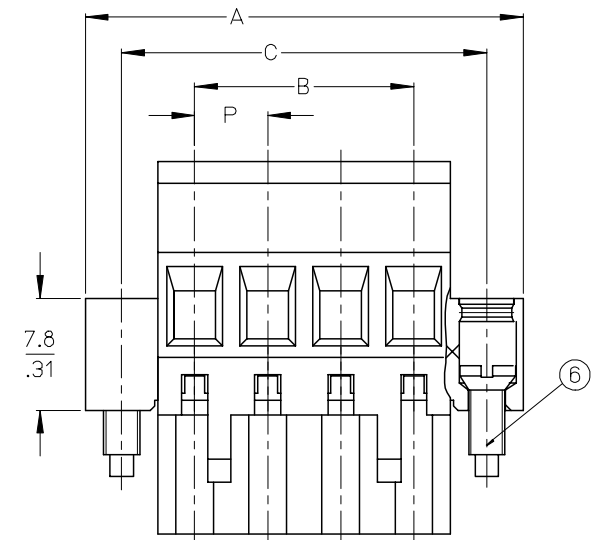
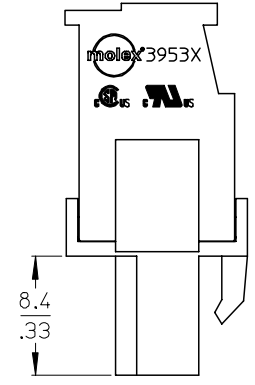
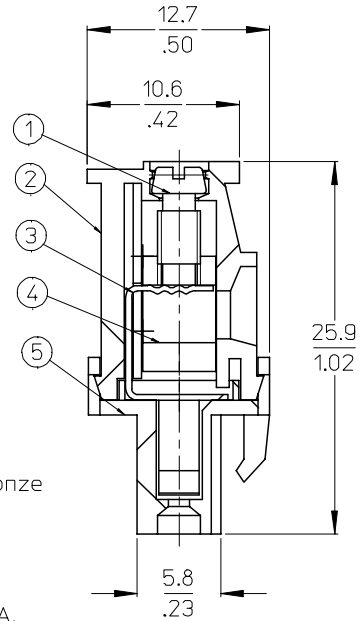
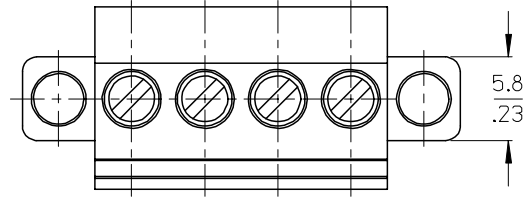
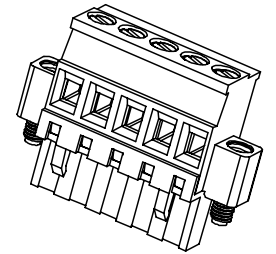


10 9 8 7 6 5 4 3 2 1

F  
E  
D  
C  
B  
A



**SPECIFICATIONS**

1. Material:
  - (1). Screw: Steel
  - (2). Body: PA66
  - (3). Terminal: Phosphor Bronze
  - (4). Cage: Brass
  - (5). Cover: PA66
  - (6). Screw: Steel
2. Wire range: 12 - 26AWG
3. Electrical rating: 300V, 10A.
4. Wire strip length: 5.0mm.
5. Operating temperature: -40°C to +105°C.
6. Max torque: 3 in.-lbs.
7. Insulation resistance: DC 500V, 500 Megohms.
8. Dielectric withstand: AC 2500V for 1 minute
9. Breakdown voltage: 4000V
10. Contact resistance: <10 milliohms
11. DIM. A = ( N + 2)X P
12. DIM. B = ( N - 1)X P
13. DIM. C = ( N + 1)X P
14. DIM. P (PITCH) = 5.08mm (.200")
15. N = Number of positions available 2 through 24.
16. ALL COMPONENTS ARE ROHS COMPLIANT.

RELEASE TO PROD EC NO: ETC2006-0308 DRWN: C YORK 2006/03/23 CHKD: R DEROSS 2006/03/24 APPR: R DEROSS 2006/03/24	QUALITY SYMBOLS ▽=0 ▽=0	GENERAL TOLERANCES (UNLESS SPECIFIED)		DIMENSION STYLE	SCALE	DESIGN UNITS	THIRD ANGLE PROJECTION	
				MM/IN	3:1	INCH		
				MM/IN				
				DRAWN BY	DATE	TITLE		
				C. YORK	2006/03/16	5.08MM, EURO PLUG, VERTICAL REAR WIRE ENTRY WITH MOUNTING ENDS		
				CHECKED BY	DATE	MOLEX INCORPORATED		
				R. DEROSS	2006/03/16	DOCUMENT NO. SD-39537-001		
				APPROVED BY	DATE	SHEET NO. 1 OF 2		
				R. DEROSS	2006/03/16			
				MATERIAL NO.	SEE SHT. 2			
				SIZE	THIS DRAWING CONTAINS INFORMATION THAT IS PROPRIETARY TO MOLEX INCORPORATED AND SHOULD NOT BE USED WITHOUT WRITTEN PERMISSION			
				B				

9 8 7 6 5 4 3 2 1

10 9 8 7 6 5 4 3 2 1

F

E

D

C

B

A

Description	Circuit size	Material Numbers												Dimensional Information						
		Black						Green						Dim. A		Dim B		Dim C		
		100% Tin			30 u' Gold			100% Tin			30 u' Gold			mm	inch	mm	inch	mm	inch	
		Printing Options			Printing Options			Printing Options			Printing Options									
None	10AV	11AV	None	10AV	11AV	None	10AV	11AV	None	10AV	11AV	None	10AV	11AV						
5.08mm, Euro Plug, Vertical RWE, Mounting Ends	2	395373002	395373302	395373402	395373502	395373602	395373702	395373802	395373902	395374002	395374102	395374202	395374302	395374402	20.3	0.80	5.1	0.20	15.2	0.60
5.08mm, Euro Plug, Vertical RWE, Mounting Ends	3	395373003	395373303	395373403	395373503	395373603	395373703	395373803	395373903	395374003	395374103	395374203	395374303	395374403	25.4	1.00	10.2	0.40	20.3	0.80
5.08mm, Euro Plug, Vertical RWE, Mounting Ends	4	395373004	395373304	395373404	395373504	395373604	395373704	395373804	395373904	395374004	395374104	395374204	395374304	395374404	30.5	1.20	15.2	0.60	25.4	1.00
5.08mm, Euro Plug, Vertical RWE, Mounting Ends	5	395373005	395373305	395373405	395373505	395373605	395373705	395373805	395373905	395374005	395374105	395374205	395374305	395374405	35.6	1.40	20.3	0.80	30.5	1.20
5.08mm, Euro Plug, Vertical RWE, Mounting Ends	6	395373006	395373306	395373406	395373506	395373606	395373706	395373806	395373906	395374006	395374106	395374206	395374306	395374406	40.6	1.60	25.4	1.00	35.6	1.40
5.08mm, Euro Plug, Vertical RWE, Mounting Ends	7	395373007	395373307	395373407	395373507	395373607	395373707	395373807	395373907	395374007	395374107	395374207	395374307	395374407	45.7	1.80	30.5	1.20	40.6	1.60
5.08mm, Euro Plug, Vertical RWE, Mounting Ends	8	395373008	395373308	395373408	395373508	395373608	395373708	395373808	395373908	395374008	395374108	395374208	395374308	395374408	50.8	2.00	35.6	1.40	45.7	1.80
5.08mm, Euro Plug, Vertical RWE, Mounting Ends	9	395373009	395373309	395373409	395373509	395373609	395373709	395373809	395373909	395374009	395374109	395374209	395374309	395374409	55.9	2.20	40.6	1.60	50.8	2.00
5.08mm, Euro Plug, Vertical RWE, Mounting Ends	10	395373010	395373310	395373410	395373510	395373610	395373710	395373810	395373910	395374010	395374110	395374210	395374310	395374410	61.0	2.40	45.7	1.80	55.9	2.20
5.08mm, Euro Plug, Vertical RWE, Mounting Ends	11	395373011	395373311	395373411	395373511	395373611	395373711	395373811	395373911	395374011	395374111	395374211	395374311	395374411	66.0	2.60	50.8	2.00	61.0	2.40
5.08mm, Euro Plug, Vertical RWE, Mounting Ends	12	395373012	395373312	395373412	395373512	395373612	395373712	395373812	395373912	395374012	395374112	395374212	395374312	395374412	71.1	2.80	55.9	2.20	66.0	2.60
5.08mm, Euro Plug, Vertical RWE, Mounting Ends	13	395373013	395373313	395373413	395373513	395373613	395373713	395373813	395373913	395374013	395374113	395374213	395374313	395374413	76.2	3.00	61.0	2.40	71.1	2.80
5.08mm, Euro Plug, Vertical RWE, Mounting Ends	14	395373014	395373314	395373414	395373514	395373614	395373714	395373814	395373914	395374014	395374114	395374214	395374314	395374414	81.3	3.20	66.0	2.60	76.2	3.00
5.08mm, Euro Plug, Vertical RWE, Mounting Ends	15	395373015	395373315	395373415	395373515	395373615	395373715	395373815	395373915	395374015	395374115	395374215	395374315	395374415	86.4	3.40	71.1	2.80	81.3	3.20
5.08mm, Euro Plug, Vertical RWE, Mounting Ends	16	395373016	395373316	395373416	395373516	395373616	395373716	395373816	395373916	395374016	395374116	395374216	395374316	395374416	91.4	3.60	76.2	3.00	86.4	3.40
5.08mm, Euro Plug, Vertical RWE, Mounting Ends	17	395373017	395373317	395373417	395373517	395373617	395373717	395373817	395373917	395374017	395374117	395374217	395374317	395374417	96.5	3.80	81.3	3.20	91.4	3.60
5.08mm, Euro Plug, Vertical RWE, Mounting Ends	18	395373018	395373318	395373418	395373518	395373618	395373718	395373818	395373918	395374018	395374118	395374218	395374318	395374418	101.6	4.00	86.4	3.40	96.5	3.80
5.08mm, Euro Plug, Vertical RWE, Mounting Ends	19	395373019	395373319	395373419	395373519	395373619	395373719	395373819	395373919	395374019	395374119	395374219	395374319	395374419	106.7	4.20	91.4	3.60	101.6	4.00
5.08mm, Euro Plug, Vertical RWE, Mounting Ends	20	395373020	395373320	395373420	395373520	395373620	395373720	395373820	395373920	395374020	395374120	395374220	395374320	395374420	111.8	4.40	96.5	3.80	106.7	4.20
5.08mm, Euro Plug, Vertical RWE, Mounting Ends	21	395373021	395373321	395373421	395373521	395373621	395373721	395373821	395373921	395374021	395374121	395374221	395374321	395374421	116.8	4.60	101.6	4.00	111.8	4.40
5.08mm, Euro Plug, Vertical RWE, Mounting Ends	22	395373022	395373322	395373422	395373522	395373622	395373722	395373822	395373922	395374022	395374122	395374222	395374322	395374422	121.9	4.80	106.7	4.20	116.8	4.60
5.08mm, Euro Plug, Vertical RWE, Mounting Ends	23	395373023	395373323	395373423	395373523	395373623	395373723	395373823	395373923	395374023	395374123	395374223	395374323	395374423	127.0	5.00	111.8	4.40	121.9	4.80
5.08mm, Euro Plug, Vertical RWE, Mounting Ends	24	395373024	395373324	395373424	395373524	395373624	395373724	395373824	395373924	395374024	395374124	395374224	395374324	395374424	132.1	5.20	116.8	4.60	127.0	5.00

SEE SHEET 1 EC NO: ETC2006-0308 DRWNG: YORK 2006/03/12 CHKD: DEROSS 2006/03/24 APPR: DEROSS 2006/03/24	QUALITY SYMBOLS ▽=0 ▽=0	GENERAL TOLERANCES (UNLESS SPECIFIED)		DIMENSION STYLE MM/IN		SCALE 3:1	DESIGN UNITS INCH	THIRD ANGLE PROJECTION
		4 PLACES ± --- ±.0015	3 PLACES ±0.038 ±.005	DRAWN BY C. YORK	DATE 2006/03/16	TITLE 5.08MM, EURO PLUG, VERTICAL REAR WIRE ENTRY WITH MOUNTING ENDS		
		2 PLACES ±0.13 ±.01	1 PLACE ±0.3 ± ---	CHECKED BY R. DEROSS	DATE 2006/03/16			
		ANGULAR ± 2 °		APPROVED BY R. DEROSS	DATE 2006/03/16	MOLEX INCORPORATED		
DRAFT WHERE APPLICABLE MUST REMAIN WITHIN DIMENSIONS	MATERIAL NO. SEE CHART	DOCUMENT NO. SD-39537-001		SHEET NO. 2 OF 2				
THIS DRAWING CONTAINS INFORMATION THAT IS PROPRIETARY TO MOLEX INCORPORATED AND SHOULD NOT BE USED WITHOUT WRITTEN PERMISSION								

9 8 7 6 5 4 3 2 1