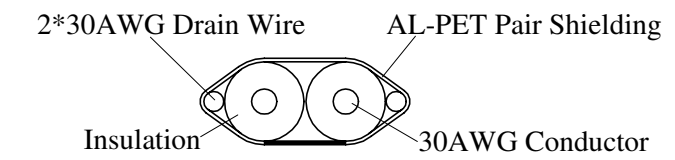
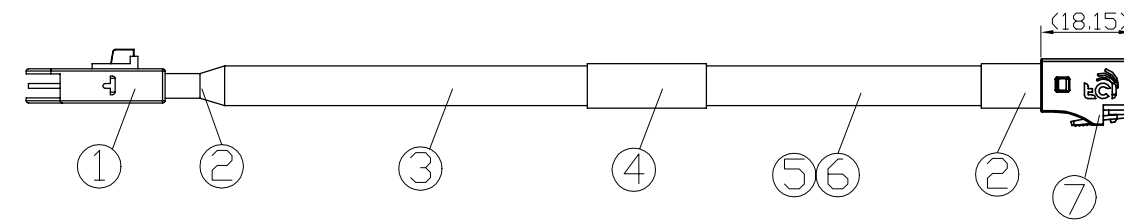
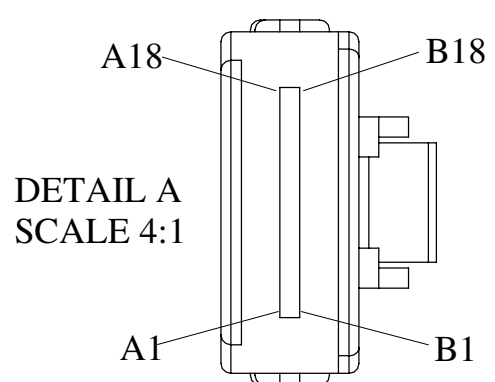


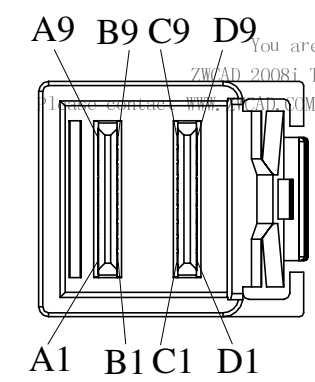
Cross Section C-C
SCALE 6:1



Parallel Pair Unit
SCALE 20:1



DETAIL A
SCALE 4:1



DETAIL B
SCALE 4:1

- NOTES:
- 100% CONTINUITY TESTED AS DEFINED IN WIRE DIAGRAM.
 - HI-POT TEST: DC 300V/10ms
CONNECTION RESISTANCE: 3.0 Ohm MAX.
INSULATION RESISTANCE: 10M Ohm MIN.
 - ROHS COMPLIANCE
 - PACKAGE SPECIFICATION REFER TO GS-14-1274.
 - A SYMBOL WILL BE NEXT TO ANY DIMENSION, VIEW OR NOTE WHICH HAS BEEN MODIFIED WITH THE CURRENT DRAWING REVISION

You are using
ZWCAD 2008i Trial Version
Please contact www.zw3d.com.cn for detailed information

7	1	EA	Short Type HD miniSAS CONNECTOR KIT
6	A/R	MM	30AWG DISCRETE SINGLE WIRE FOR SIDEBAND SIGNAL
5	A/R	MM	30AWG PARALLEL PAIR 100 ohms DIFFERENTIAL CABLE, AL-PET+2*30AWG DRAIN WIRE zygomorphic FOR SHIELDING
4	1	EA	CABLE LABEL, BRIGHT WHITE
3	A/R	MM	PLASTIC BRAID, BLACK COLOR
2	A/R	MM	AC fabric tape, BLACK COLOR
1	1	EA	miniSAS STRAIGHT CONNECTOR KIT
ITEM	Q'TY	UNIT	DESCRIPTION

www.fciconnect.com		surface - ✓	tolerance std -	projection	MM
		TOLERANCES UNLESS OTHERWISE SPECIFIED			
Dr	Andy Wu	2013-01-16	ANGULAR	0.X ±-	size A3
Eng	Andy Wu	2013-01-16	LINEAR	0.XX ±-	Scale NTS
Chr	Roger Cheng	2013-01-16	0° ±-	0.XXX ±-	ECN -
Appr	Jackson Wang	2013-01-16	Product family		Spec ref -

rev	ecn no	dr	date
A		Andy	01/16/2013

	title	Internal miniSASHD short type to miniSAS ST cable assembly	dwg no 10124109	Rev. A
	catalog no	-		



Copyright FCI.

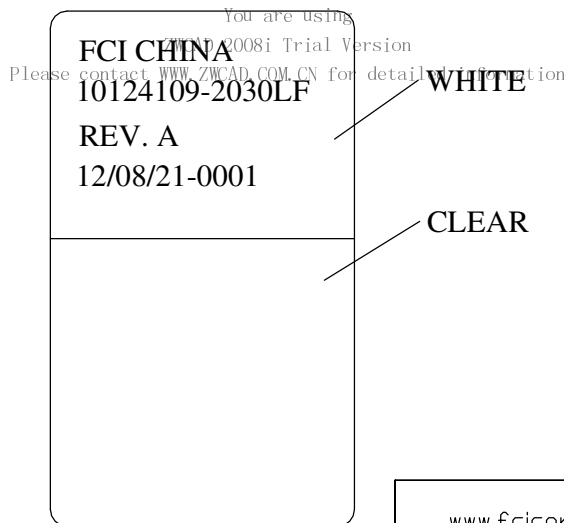
WIRE DIAGRAM:

TABLE 1:

P1 CONTROLLER			P2 CONTROLLER	
PIN	SYMBOL		SYMBOL	PIN
B18	GND	-----	GND	A9
B17	Tx3-	○→	Rx3-	A8
B16	Tx3+	○→	Rx3+	A7
B15	GND	-----	GND	B9
B14	Tx2-	○→	Rx2-	B8
B13	Tx2+	○→	Rx2+	B7
B12	GND	-----	GND	B6
B11	SB 6	←→	SB 1	B2
B10	SB 2	←→	SB 4	D1
B9	SB 1	←→	SB 6	D2
B8	SB 0	←→	SB 7	A1
B7	GND	-----	GND	A6
B6	Tx1-	○→	Rx1-	A5
B5	Tx1+	○→	Rx1+	A4
B4	GND	-----	GND	A3
B3	Tx0-	○→	Rx0-	B5
B2	Tx0+	○→	Rx0+	B4
B1	GND	-----	GND	B3
A18	GND	-----	GND	C9
A17	Rx3-	←○	Tx3-	C8
A16	Rx3+	←○	Tx3+	C7
A15	GND	-----	GND	D9
A14	Rx2-	←○	Tx2-	D8
A13	Rx2+	←○	Tx2+	D7
A12	GND	-----	GND	D6
A11	SB 5	←→	SB 2	C2
A10	SB 4	←→	SB 3	B1
A9	SB 3	←→	SB 4	C1
A8	SB 7	←→	SB 0	A2
A7	GND	-----	GND	C6
A6	Rx1-	←○	Tx1-	C5
A5	Rx1+	←○	Tx1+	C4
A4	GND	-----	GND	C3
A3	Rx0-	←○	Tx0-	D5
A2	Rx0+	←○	Tx0+	D4
A1	GND	-----	GND	D3

FCI P/N	WIRE GAUGE	LENGTH("L")	TOLERANCE
10124109-2030LF	30AWG	300 mm	±15mm
10124109-2040LF	30AWG	400 mm	±15mm
10124109-2050LF	30AWG	500 mm	±15mm
10124109-2060LF	30AWG	600 mm	±15mm
10124109-2070LF	30AWG	700 mm	±15mm
10124109-2080LF	30AWG	800 mm	±15mm
10124109-2090LF	30AWG	900 mm	±15mm
10124109-2100LF	30AWG	1000 mm	±20mm

CABLE LABEL SPEC.:



LABEL NOTES:

- A. FCI PN and Revision: see table 1
- B. 12/08/21-0001
 - SN: SERIAL NUMBER
 - DD: DATE
 - MM: MONTH
 - YY: YEAR
- C. SN: START FROM 0001... WHICH COULD NOT BE REPEAT.

rev	ecn no	dr	date

www.fciconnect.com		surface - ✓	tolerance std -	projection	MM
Dr Andy Wu		TOLERANCES UNLESS OTHERWISE SPECIFIED		size A3	Scale NTS
Eng Andy Wu		ANGULAR	LINEAR		
Chr Roger Cheng		0° ±'	0.X ±'	ECN	-
Appr Jackson Wang		Product family		Spec ref -	
FCI title		Internal miniSASHD short type to miniSAS ST cable assembly		dwg no 10124109	Rev. A
catalog no		-		CUSTOMER	sheet 2 of 2

