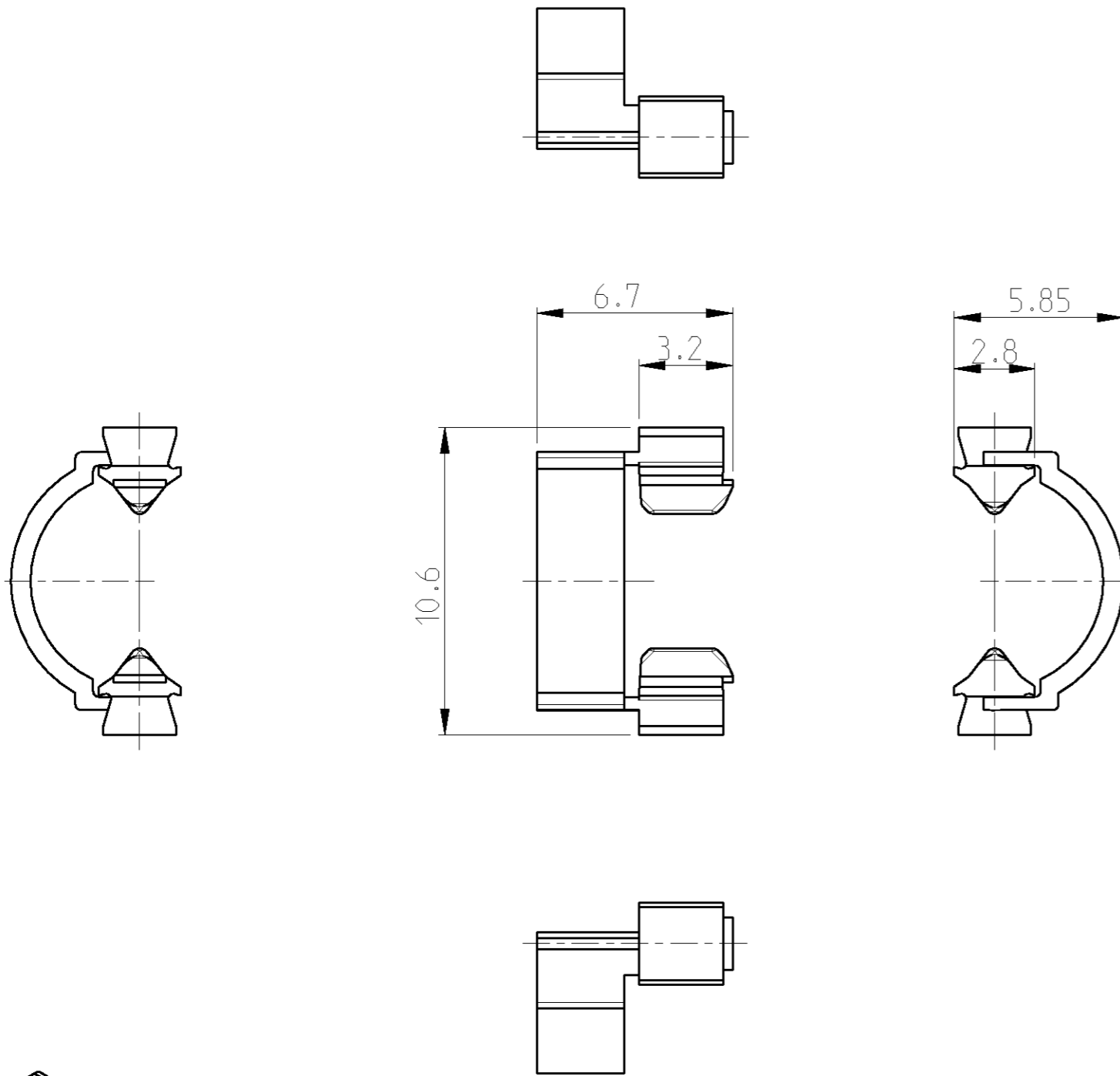
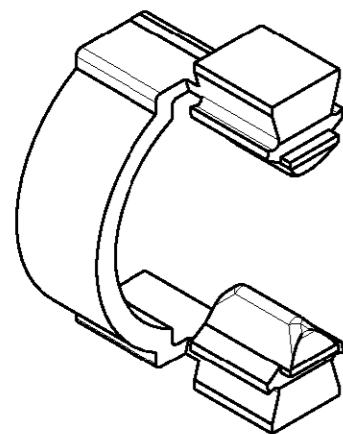


THIS DRAWING IS UNPUBLISHED. RELEASED FOR PUBLICATION 2005  
 © COPYRIGHT 2005 BY TYCO ELECTRONICS CORPORATION. ALL RIGHTS RESERVED.

LOC	DIST	REVISIONS					
		P	LTR	DESCRIPTION	DATE	DWN	APVD
A1	-		D	Series geometry	23MAY2007	SKA	TG



- Notes:
1. Ring Clip used for Tube PN 1740260-x
  2. Tool needed for assembling Tube and Ring Clip (see Application Spec.) Half ring will be sheared off



0-1740261-2	D	BLACK (ANTHRACITE)
0-1740261-1	D	NATURAL (WHITE)
PN	REV.	COLOR

<small>THIS DRAWING IS A CONTROLLED DOCUMENT FOR TYCO ELECTRONICS CORPORATION IT IS SUBJECT TO CHANGE AND THE CONTROLLING ENGINEERING ORGANIZATION SHOULD BE CONTACTED FOR THE LATEST REVISION.</small>		DWN H.ATZMANN 08FEB2005 CHK M.OFENLOCH 08FEB2005 APVD T.GERLACH 08FEB2005		<b>tyco</b> tyco Electronics AMP GmbH <b>Electronics</b> D - 64625 Bensheim	
DIMENSIONS: mm 		TOLERANCES UNLESS OTHERWISE SPECIFIED: 0 PLC ±0.2 1 PLC ±0.2 2 PLC ±0.2 3 PLC ± 4 PLC ± ANGLES ±1°		PRODUCT SPEC 108-94018 APPLICATION SPEC 114-18751 WEIGHT 0,1 g	
MATERIAL PA 6 FINISH -		CUSTOMER DRAWING		NAME 7.5mm MiniHVL Connector System Ring Clip SIZE A3 CAGE CODE 00779 DRAWING NO C=1740261 RESTRICTED TO - SCALE 5:1 SHEET 1 OF 1 REV D	