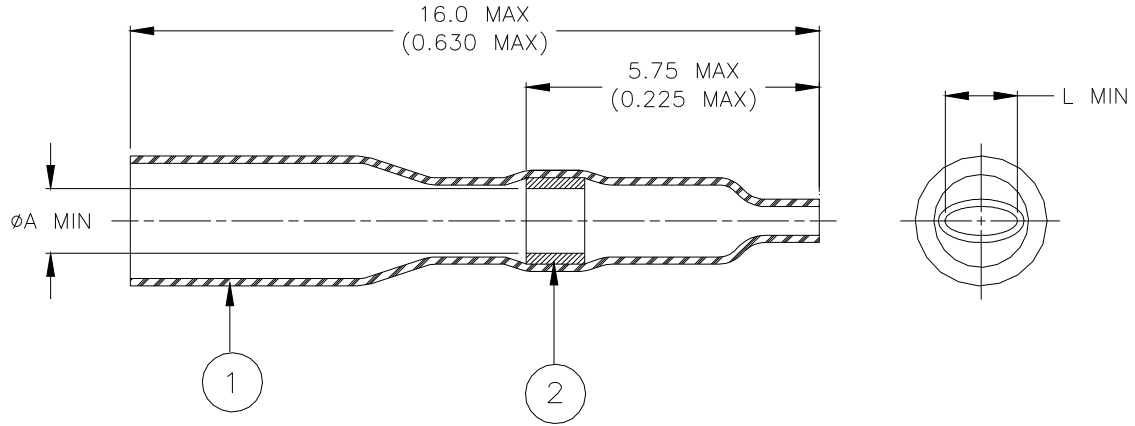


SPECIFICATION CONTROL DRAWING



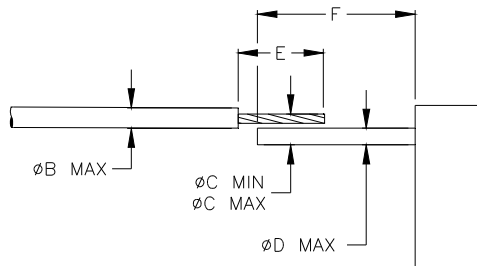
Product Revision		Product Dimensions		Wire and Pin Dimensions			
Product Name		ϕA min	L min	ϕB max	ϕC min	ϕC max	ϕD max
CWT-1501	A	1.5 (0.060)	1.5 (0.060)	2.0 (0.080)	0.9 (0.035)	1.5 (0.060)	0.6 (0.025)
CWT-1502	A	2.3 (0.090)	2.3 (0.090)	2.9 (0.115)	1.1 (0.045)	2.3 (0.090)	0.9 (0.035)
CWT-1503	A	2.8 (0.110)	2.8 (0.110)	3.2 (0.125)	1.6 (0.065)	2.8 (0.110)	1.2 (0.045)
CWT-1504	A	3.8 (0.150)	3.8 (0.150)	4.5 (0.180)	1.8 (0.070)	3.8 (0.150)	1.5 (0.060)

MATERIALS

- INSULATION SLEEVE: Heat-shrinkable, transparent clear, radiation cross-linked modified polyolefin.
- SOLDER PREFORM WITH FLUX:
 SOLDER: TYPE Cd18 per ANSI-J-STD-006.
 FLUX: TYPE ROM1 per ANSI-J-STD-004.

APPLICATION

- These controlled soldering devices are designed for termination of a wire to the lead of electrical component or to the terminal of a connector.
- Temperature range: -55°C to +125°C.
- For installation procedure and application equipment, consult RPIP-824-00
 For best results, prepare the cable as shown:



Stripping Dimensions

- Wires smaller than AWG 18:
 E: 6.5±0.5
 F: 8.0±0.5
- Wires AWG 18 and larger:
 E: 9.5±0.5
 F: 11.0±0.5

		Raychem		TE Connectivity 300 Constitutional Drive Menlo Park, CA 94025 USA		TITLE : <h3 style="text-align: center;">Solder Sleeve One Step Wire Terminator Low Temperature</h3>			
UNLESS OTHERWISE SPECIFIED DIMENSIONS ARE IN MILLIMETERS. INCHES DIMENSIONS ARE BETWEEN BRACKETS.				DOCUMENT NO.: CWT-150X					
TOLERANCES: 0.00 N/A 0.0 N/A 0 N/A		ANGLES: N/A ROUGHNESS IN MICRON		TE Connectivity reserves the right to amend this drawing at any time. Users should evaluate the suitability of the product for their application.		DATE: 15-Apr-11		DOC ISSUE: 7	
DRAWN BY: M. FORONDA		CAGE CODE: 06090		REPLACES: D980899		DCR NUMBER: D010038		PROD. REV.: SEE TABLE	
						SCALE: None		SIZE: A	
								SHEET: 1 of 1	