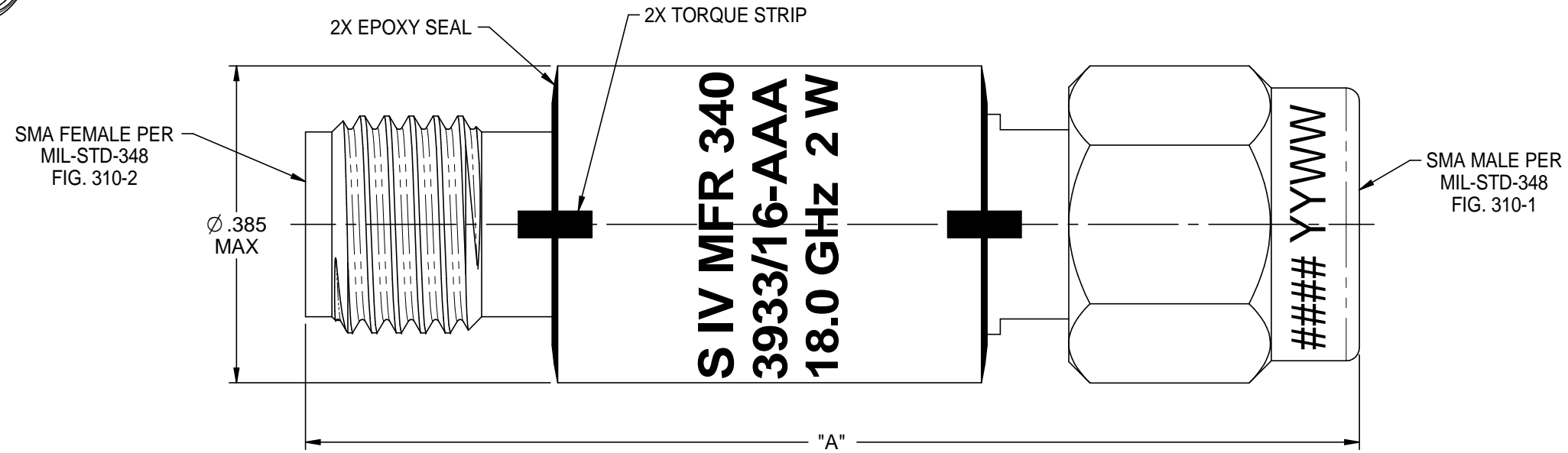
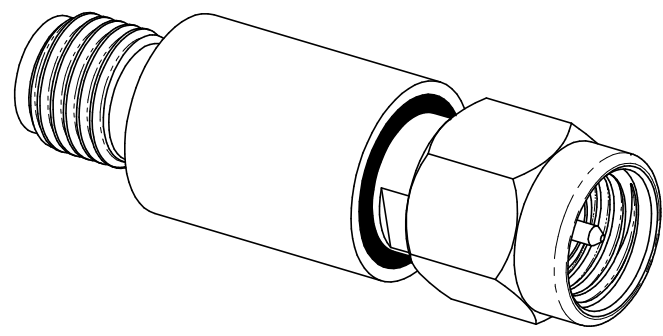


REV	ECO	DATE
J	23703	7/15/2011
K	25016	1/31/2014
L	25125	7/18/2014



NOTES: UNLESS OTHERWISE SPECIFIED.

1. MATERIAL & FINISH:
  - 1.1 BODY: PASSIVATED STAINLESS STEEL
  - 1.2 DIELECTRIC: PTFE (TEFLON)
  - 1.3 CENTER CONTACT: GOLD PLATED BERYLLIUM COPPER
  - 1.5 GASKET: SILICONE RUBBER
2. SPECIFICATIONS:
  - 2.1 FREQUENCY RANGE: DC - 18 GHz
  - 2.2 INPEDANCE: 50 OHMS NOMINAL
  - 2.3 VSWR (MAX) BOTH ENDS:
    - DC - 4.0 GHz: 1.15:1
    - 4.0 - 8.0 GHz: 1.20:1
    - 8.0 - 12.4 GHz: 1.25:1
    - 12.4 - 18 GHz: 1.35:1
  - 2.4 ATTENUATION ACCURACY:
    - 0 - 2.5 dB: ±0.4 dB
    - 3 - 6.5 dB: ±0.3 dB
    - 7 - 15.5 dB: ±0.5 dB
    - 16 - 28 dB: ±0.7 dB
    - 30 - 40 dB: ±1.0 dB
  - 2.5 MAXIMUM INPUT POWER
    - 2.5.1 AVERAGE: 2 WATTS AT 25°C DERATED LINEARLY TO 0.5 WATTS AT 125°C
    - 2.5.2 PEAK: 500 WATTS FOR A DUTY CYCLE OF 5x10<sup>-4</sup>, MAX PULSE DURATION OF 5 MICROSECONDS
  - 2.6 OPERATING TEMP RANGE: -55°C TO 125°C
  - 2.7 WEIGHT (MAX):
    - 2.7.1 0 - 25 dB: 0.5 oz
    - 2.7.2 28 dB: 0.7 oz
    - 2.7.3 34 - 40 dB: 0.8 oz
3. TORQUE STRIP (SCREENED MODELS ONLY):
  - 3.1 ENTHONE M-9-N WHITE/CATALYST B-3, TML = 0.51%, CVCM = 0.4%

MODEL NO. (N OR S)	dB VALUE	MODEL NO. (N OR S)	dB VALUE	MODEL NO. (N OR S)	dB VALUE
M3933/16-01	3	M3933/16-22	5.5	M3933/16-41	17.5
M3933/16-02	6	M3933/16-23	6.5	M3933/16-42	18
M3933/16-03	10	M3933/16-24	7.5	M3933/16-43	18.5
M3933/16-04	20	M3933/16-25	8.5	M3933/16-44	19
M3933/16-05	1	M3933/16-26	9.5	M3933/16-45	19.5
M3933/16-06	2	M3933/16-27	10.5	M3933/16-46	20.5
M3933/16-07	4	M3933/16-28	11	M3933/16-47	21
M3933/16-08	5	M3933/16-29	11.5	M3933/16-48	21.5
M3933/16-09	7	M3933/16-30	12	M3933/16-49	22
M3933/16-10	8	M3933/16-31	12.5	M3933/16-50	22.5
M3933/16-11	9	M3933/16-32	13	M3933/16-51	23
M3933/16-12	30	M3933/16-33	13.5	M3933/16-52	23.5
M3933/16-13	40	M3933/16-34	14	M3933/16-53	24
M3933/16-16	0	M3933/16-35	14.5	M3933/16-54	24.5
M3933/16-17	0.5	M3933/16-36	15	M3933/16-55	25
M3933/16-18	1.5	M3933/16-37	15.5	M3933/16-56	28
M3933/16-19	2.5	M3933/16-38	16	M3933/16-57	32
M3933/16-20	3.5	M3933/16-39	16.5	M3933/16-58	36
M3933/16-21	4.5	M3933/16-40	17		

dB VALUE	"A" MAX
0 - 25	1.24
30 - 40	1.85

<p>This PROPRIETARY Document is property of Cinch Connectivity Solutions. It is confidential in nature, non-transferable, and issued with the clear understanding that it is not to be traced or copied without permission and is returnable upon demand.</p> <p>INTERPRET DRAWING IN ACCORDANCE WITH ASME Y14.5-2009</p>	Model No. <b>M3933/16-XX(N OR S)</b>	<b>MIDWEST MICROWAVE</b>		
	RoHS2 <input checked="" type="checkbox"/>	Cage Code <b>34078</b>	Title: <b>QPL ATTENUATOR</b>	
	2011/65/EU	3RD ANGLE PROJECTION	Drawing No. <b>M3933/16-XX(N OR S)-01</b>	
	.XX ±.02 .XXX ±.005 ANGLES ±2°	Drawn by: <b>C. WALLACE</b>	Date: <b>7/22/2014</b>	Rev. <b>L</b>
Size <b>B</b>	DO NOT SCALE DRAWING	Workmanship Std: NONE	Sheet 1 of 1	