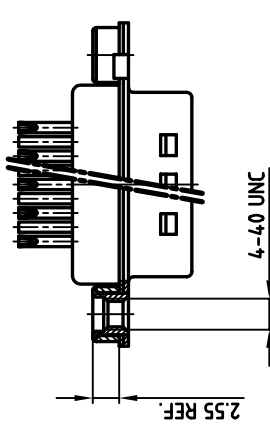
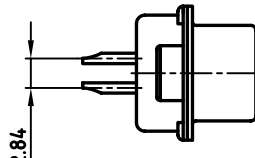
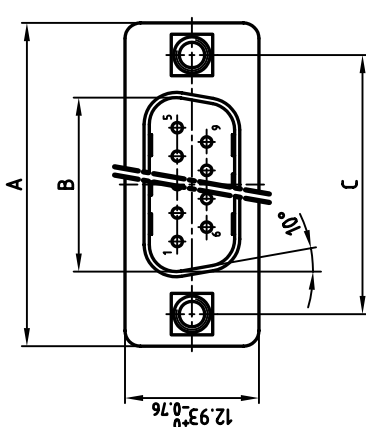
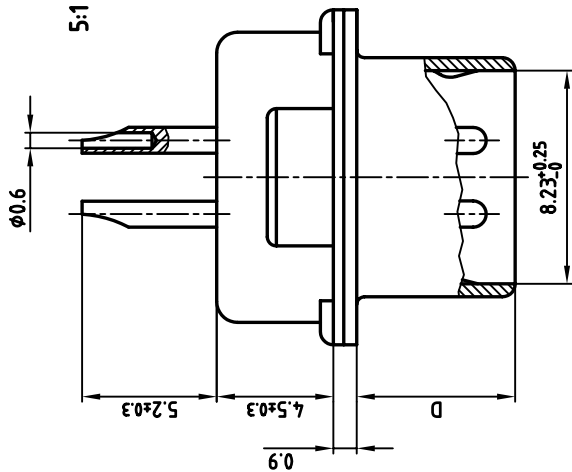


used for: D-SUB FILTER



NOTES:

1. METALSHELLS: STEEL; min. 320µ" TIN
2. INSULATORS: PBT GF UL 94 V-0, BLACK
3. CONTACTS: COPPER ALLOY
4. PLATING: min. 8µ" HARD GOLD OVER min. 50µ" NICKEL
5. THREADED INSERT: COPPER ALLOY; min. 200µ" TIN over 80µ" NICKEL
6. SOLDER CUP: AWG 26
7. CAPACITANCE: 370pF ±20%
8. DIELECTRIC WITHSTANDING VOLTAGE: 424 VDC
9. MAXIMUM TORQUE VALUE FOR THREAD: 6" LBS



| | | | |
|------------------|-----------|----------------------|--|
| tolerance | | 2:1 (5:1) | |
| scale: | | SEE NOTES | |
| material: | | | |
| title: | | D-FILTER MALE | |
| 2001 | | 9-37pos. SOLDER CUP | |
| drawn | 02.01. | with threaded insert | |
| appd. | 02.01. | E. Mickenbecker | |
| norm | DIN 41652 | | |
| rev | DIN-A | | |
| dwg no: | | AutoCAD 2000 | |
| part no: | | 24K1A084A | |
| rev. description | | sh: 1/1 | |
| date | | SEE TABLE | |
| name | | | |

THIS DRAWING MAY NOT BE COPIED OR REPRODUCED IN ANY WAY, AND MAY NOT BE PASSED ON TO A THIRD PARTY WITHOUT WRITTEN PERMISSION.

OWNERSHIP AND COPYRIGHT OF CONEC GMBH DO NOT ALTER CAD DRAWING BY HAND

| POS. | A | B | C | D | PART-NO. |
|------|-------|-------|---|------|-------------|
| 9 | 31.19 | 16.79 | 25.00 ^{+0.12} _{-0.13} | 6.12 | 24-1A11720X |
| 15 | 39.52 | 25.12 | 33.30 ^{+0.15} _{-0.1} | 6.12 | 24-1A11730X |
| 25 | 53.42 | 38.84 | 47.04 ^{+0.13} | 5.99 | 24-1A11740X |
| 37 | 69.70 | 55.30 | 63.50 ^{+0.13} | 5.99 | 24-1A11750X |

