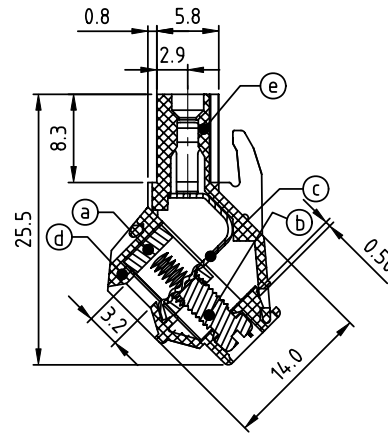
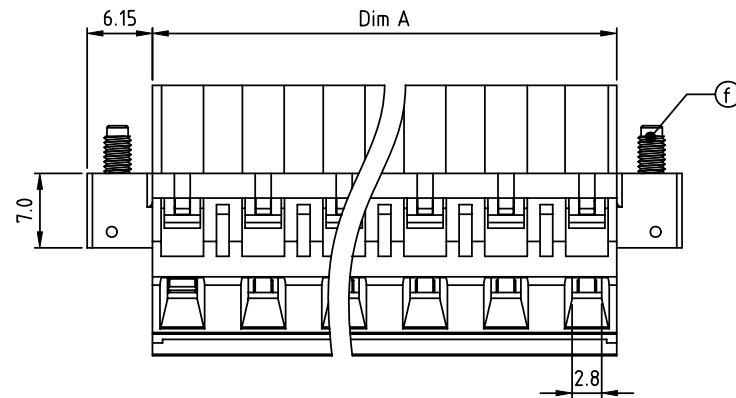
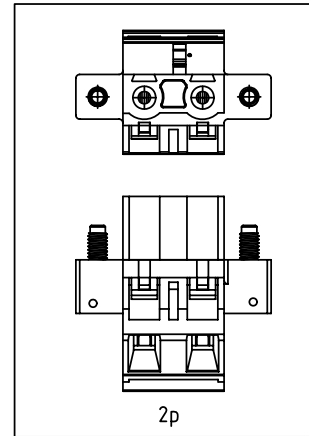
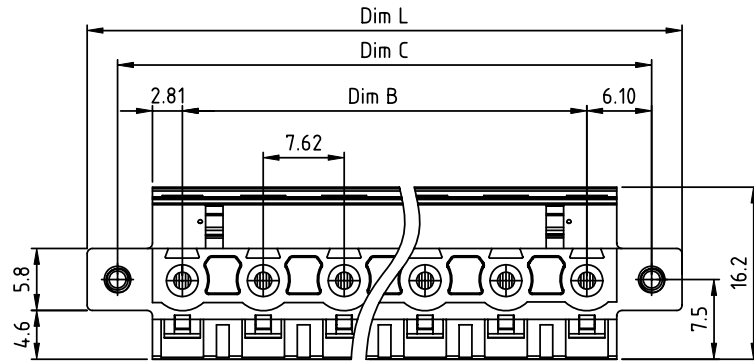


PRODUCT NUMBER	PITCH
EMxx01x200J0G	7.62 mm



Material:

- Item (a) Clamp: Brass(CuZn) Ni plated
- Item (b) Terminal screw: Steel Zinc plating "-" slot type
- Item (c) Female contact: High conductivity copper ,Tin plated
- Item (d) Terminal (top body): Thermoplastic (UL94V-0)
- Item (e) Terminal (bottom body): Thermoplastic (UL94V-0)
- Item (f) Flange screw: Steel Zinc plating "+/-" combination type

Electrical cULus

- Voltage rating: 300VAC
- Current rating: 20A
- Wire range:
- Solid wire(AWG): 12-22
- Stranded wire(AWG): 12-22
- Torque: 4 Lb-In
- Screw: M3
- Wire strip length: 7-8mm
- Withstanding Voltage: 1.6KV
- Operating temperature: -40°C to +115°C
- Safety Approval:

Dim L=(N-1)×7.62+17.92
 Dim A=(N-1)×7.62+5.62
 Dim B=(N-1)×7.62
 Dim C=(N-1)×7.62+12.20
 N=Number of poles

POLES	Tolerance
2p-6p	±0.20
7p-12p	±0.30
13p-16p	±0.40

PART NO.: EM xx 01 x 2 00J0 G

Solid block	No. of poles	Color	RoHS compliant (lead<4%) In copper Alloy
0	2	Black (RAL9005)	
02	2	Red (RAL3001/D)	
03	3	Orange(RAL2011/P)	
...	...	4 Yellow(RAL1018/A)	
...	...	5 Green(RAL6018/T)	
16	16	6 Blue (RAL5015/A)	
		8 Grey(RAL7035/D)	
		9 White(RAL1102)	
		C Green(RAL6018/U)	

mat'l. code		surface ASME Y14.5	tolerance ASME Y14.5	projection 	product family TERMINAL BLOCK
ltr ecn no dr date		tolerances unless otherwise specified		MM	title TERMINAL BLOCK PLUGGABLE PLUG, WITH FLANGE
		angles $\frac{D}{E}$	X.±0.5	scale	dwg no EMxx01x200J0G
		X'±1"	X.X±0.3		sheet 1 of 1 size A4
			X.XX±0.1		type CUSTOMER Drawing
dr	EVIN ZHONG	042114			
enr	EVIN ZHONG	042114			
chr	HANKE FENG	042114			
appd	SHI JUN	042114			
sheet index	revision sheet	A	1		