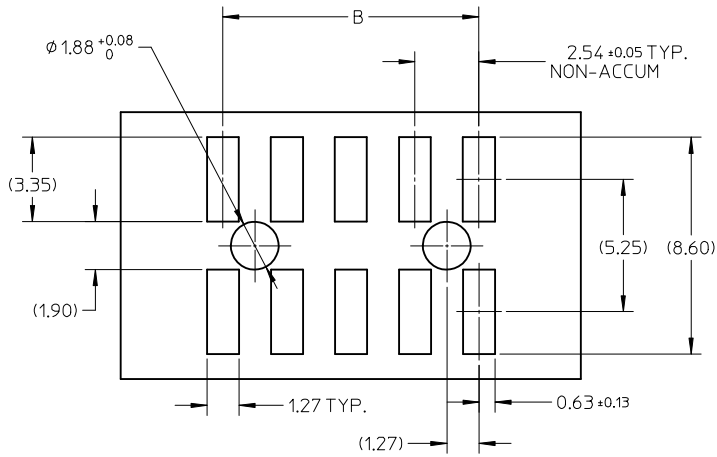
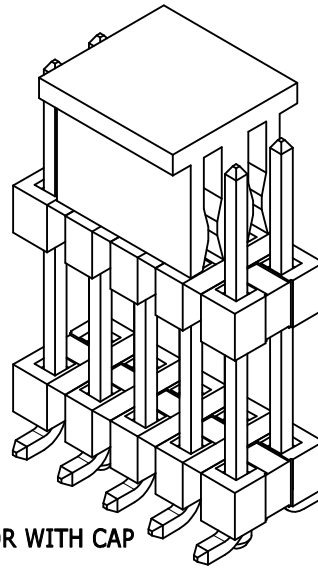


CKT SIZE	DIMENSION		
	A	B	C
04	5.08	2.54	-
06	7.62	5.08	-
08	10.16	7.62	5.08
10	12.70	10.16	7.62
12	15.24	12.70	10.16
14	17.78	15.24	12.70
16	20.32	17.78	15.24
18	22.86	20.32	17.78
20	25.40	22.86	20.32
22	27.94	25.40	22.86
24	30.48	27.94	25.40
26	33.02	30.48	27.94
28	35.56	33.02	30.48
30	38.10	35.56	33.02
32	40.64	38.10	35.56
34	43.18	40.64	38.10
36	45.72	43.18	40.64
38	48.26	45.72	43.18
40	50.80	48.26	45.72

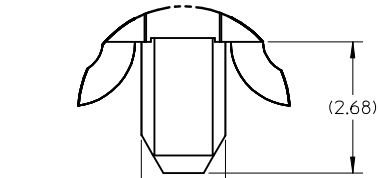
<b>UPDATE DWG</b> EC NO: S2009-0754 DRWN: YMCHEONG CHKD: ATSEE APPR: MLONG	QUALITY SYMBOLS ▽=0 ◻=0	GENERAL TOLERANCES (UNLESS SPECIFIED) mm INCH 4 PLACES ± --- ± --- 3 PLACES ± --- ± --- 2 PLACES ± 0.2 ± --- 1 PLACE ± --- ± --- ANGULAR ± 3 °	DIMENSION STYLE <b>MM ONLY</b> DRAWN BY SKLIM01 CHECKED BY PATEY APPROVED BY PATEY MATERIAL NO. SEE TABLE	SCALE NTS DESIGN UNITS METRIC DATE 2006/06/29 DATE 2006/07/07 DATE 2006/07/07	THIRD ANGLE PROJECTION <b>CUSTOM HEADER</b> <b>CGRID, DUAL ROW HDR, DUAL BODY, SMT W/PEGS, VERT.</b> <b>MOLEX INCORPORATED</b> DOCUMENT NO. SD-87939-017	SHEET NO. 1 OF 4
	DRAFT WHERE APPLICABLE MUST REMAIN WITHIN DIMENSIONS	SIZE A3	THIS DRAWING CONTAINS INFORMATION THAT IS PROPRIETARY TO MOLEX INCORPORATED AND SHOULD NOT BE USED WITHOUT WRITTEN PERMISSION			
	A7	REV	DESCRIPTION	TITLE	DATE	SHEET NO.
	A7	REV	DESCRIPTION	TITLE	DATE	SHEET NO.



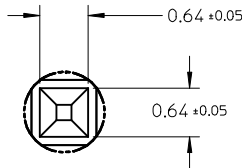
RECOMMENDED PCB LAYOUT: SOLDER SIDE



ISO VIEW CONNECTOR WITH CAP



DETAIL 1



DETAIL 2

NOTES

1. MATERIAL:

HSG: LCP, GLASS-FILLED, UL94V-0, COLOR: BLACK  
 CAP: NYLON, GLASS-FILLED, UL94V-0, COLOR: BLACK  
 PIN: 0.64MM SQ, COPPER ALLOY

2. PLATING TYPE:

- (1) GOLD FLASH OVER  
1.25µm MIN. NICKEL OVERALL
- (2) 0.05µm MIN. GOLD PLATE ON CONTACT AND  
2.50µm MIN. TIN ON SOLDER TAIL OVER  
1.25µm MIN. NICKEL OVERALL.
- (3) 0.38µm MIN. GOLD PLATE ON CONTACT AND  
2.00µm MIN. TIN ON SOLDER TAIL OVER  
1.25µm MIN. NICKEL OVERALL.
- (4) 0.75µm MIN. GOLD PLATE ON CONTACT AND  
2.00µm MIN. TIN ON SOLDER TAIL OVER  
1.25µm MIN. NICKEL OVERALL.
- (5) 2.50µm MIN. TIN OVERALL  
1.25µm MIN. NICKEL OVERALL

3. PACKAGING TYPE: SEE TABLE

4. PCB THICKNESS 1.60 +/- 0.10mm

5. PRODUCT SPECIFICATION: PS-87920-019

6. WAFER TO BE FLAT WITHIN 0.003 mm/mm

7. BEND DEPRESSION IS ACCEPTED SO LONG AS IT DOES NOT AFFECT THE OVERALL COPLANARITY OF TAIL

8. COPLANARITY IS TO BE MEASURED BY RESTING THE SOLDER TAIL ON A FLAT SURFACE

9. CAP LOCATION IS CENTERED ALONG THE MATING ENDS AS SHOWN. TOP SURFACE OF CAP TO BE FLAT FOR THE PURPOSE OF PICK & PLACE BY VACUUM SUCTION NOZZLE

10. IRREGULAR CIRCUIT CUTOFF WITHIN BREAKAWAY SECTION IS PERMISSIBLE. CUTTING OR CHIPPING OF THE MAIN BODY IS NOT ACCEPTABLE

11. PARTS ARE NOT STACKABLE ON 2.54 CENTER

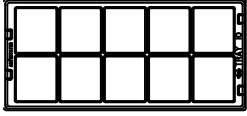
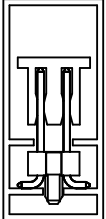
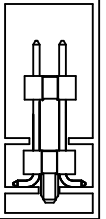
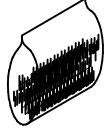
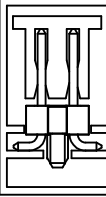
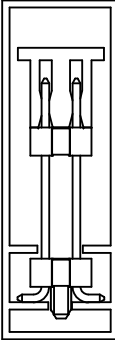
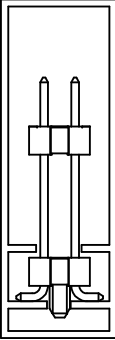
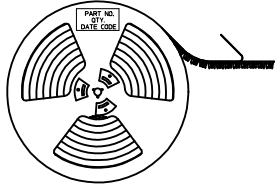
12. THE ABOVE CKT 10 IS FOR ILLUSTRATION PURPOSE ONLY

13. TUBE LENGTH IS 560MM PER STANDARD

14. PACKAGING SPECIFICATION: PLS REFER TO SHEET 3

UPDATE DWG EC NO: S2009-0754 DRWN: YMCHONG CHKD: ATSEE APPR: MLONG	2009/04/14 2009/04/15 2009/04/15	DESCRIPTION REV	QUALITY SYMBOLS	GENERAL TOLERANCES (UNLESS SPECIFIED)		DIMENSION STYLE MM ONLY		SCALE NTS	DESIGN UNITS METRIC	THIRD ANGLE PROJECTION			
			▼=0 ⊕=0	mm	INCH	DRAWN BY SKLIM01	DATE 2006/06/29	TITLE CUSTOM HEADER CGRID, DUAL ROW HDR, DUAL BODY, SMT W/PEGS, VERT.					
				4 PLACES	± ---	± ---	CHECKED BY PATEY	DATE 2006/07/07	MOLEX INCORPORATED				
				3 PLACES	± ---	± ---	APPROVED BY PATEY	DATE 2006/07/07	MATERIAL NO. SEE TABLE	DOCUMENT NO. SD-87939-017	SHEET NO. 2 OF 4		
DRAFT WHERE APPLICABLE MUST REMAIN WITHIN DIMENSIONS				ANGULAR ± 3 °		THIS DRAWING CONTAINS INFORMATION THAT IS PROPRIETARY TO MOLEX INCORPORATED AND SHOULD NOT BE USED WITHOUT WRITTEN PERMISSION							

# PACKAGING SPECIFICATION OVERVIEW

ITEM	PACKAGING TYPE	PACKAGING SPECIFICATION	RECOMMENDED LOADED ASSY HEIGHT	PART PACKED IN PACKAGING ORIENTATION (FOR REF. USE ONLY)	ITEM	PACKAGING TYPE	PACKAGING SPECIFICATION	RECOMMENDED LOADED ASSY HEIGHT	PART PACKED IN PACKAGING ORIENTATION (FOR REF. USE ONLY)
1	TRAY	PK-89990-489	DIM G/F= 60.0MM MAX.		4	TUBE	PK-89990-507	DIM G/F= <16.0MM	 <b>HEADER WITH CAP IN TUBE</b>  <b>HEADER WITHOUT CAP IN TUBE</b>
2	BULK	PK-89990-491	-		5	TUBE	PK-89990-478	DIM G/F= 10.7MM MAX.	 <b>ONLY PACKED HEADER WITH CAP IN TUBE</b>
3	TUBE	PK-89990-508	DIM G/F= 16.1~23.0MM	 <b>HEADER WITH CAP IN TUBE</b>  <b>HEADER WITHOUT CAP IN TUBE</b>	6	TAPE & REEL	PK-89990-486 (REEL $\phi$ : 330.0 MAX.)	DIM G/F= 15.0MM MAX.	

UPDATE DWG EC NO: S2009-0754 DRWN: YMCHEONG CHKD: ATSEE APPR: MLONG	2009/04/14 2009/04/15 2009/04/15	DESCRIPTION REV	QUALITY SYMBOLS	GENERAL TOLERANCES (UNLESS SPECIFIED) mm    INCH 4 PLACES ± --- ± --- 3 PLACES ± --- ± --- 2 PLACES ± 0.2 ± --- 1 PLACE ± --- ± --- ANGULAR ± 3 °	DIMENSION STYLE <b>MM ONLY</b> DRAWN BY    DATE SKLIM01    2006/06/29 CHECKED BY    DATE PATEY    2006/07/07 APPROVED BY    DATE PATEY    2006/07/07	SCALE NTS	DESIGN UNITS METRIC	THIRD ANGLE PROJECTION	TITLE CUSTOM HEADER CGRID, DUAL ROW HDR, DUAL BODY, SMT W/PEGS, VERT. MOLEX INCORPORATED	SHEET NO. 3 OF 4		
			DRAFT WHERE APPLICABLE MUST REMAIN WITHIN DIMENSIONS								MATERIAL NO. SEE TABLE	DOCUMENT NO. SD-87939-017
			SIZE A3								THIS DRAWING CONTAINS INFORMATION THAT IS PROPRIETARY TO MOLEX INCORPORATED AND SHOULD NOT BE USED WITHOUT WRITTEN PERMISSION	

10 9 8 7 6 5 4 3 2 1

**PART NUMBER IN PACKAGING OPTION**

**DIMENSION**

TRAY PACKED WITH CAP	TRAY PACKED WITHOUT CAP	TUBE WITH CAP	TUBE WITHOUT CAP	TAPE & REEL WITH CAP	BULK PACKED WITH CAP	BULK PACKED WITHOUT CAP	CKT SIZE	PEG	PLATE OPT.	PK SPEC.	G	F	MATING END		E	J
													M	H		
-	-	-	87939-0800	-	-	-	8	Y	5	3	-	23.10	5.24	17.86	1.27	2.28
-	-	-	87939-0002	-	-	-	12	N	3	4	-	14.40	5.90	8.50	1.27	2.22
-	-	-	87939-2000	-	-	-	20	Y	5	3	-	20.00	4.65	15.35	1.27	2.28
-	87939-0034	-	-	-	-	-	34	Y	5	1	-	17.89	2.79	15.10	1.27	2.28
-	-	-	87939-0003	-	-	-	40	N	3	4	-	14.40	5.90	8.50	1.27	2.22
-	87939-2801	-	-	-	-	-	28	Y	5	1	-	16.89	3.68	13.21	1.27	2.28
-	87939-2802	-	-	-	-	-	28	N	5	1	-	16.89	3.68	13.21	1.27	2.28
-	87939-4001	-	-	-	-	-	40	Y	4	1	-	14.40	8.00	6.40	1.27	2.28

UPDATE DWG EC NO: S2009-0754 DRWN: YMCHEONG CHKD: ATSEE APPR: MLONG	2009/04/14 2009/04/15 2009/04/15	DESCRIPTION REV	QUALITY SYMBOLS ▽=0 ◻=0	GENERAL TOLERANCES (UNLESS SPECIFIED) mm INCH 4 PLACES ± --- ± --- 3 PLACES ± --- ± --- 2 PLACES ± 0.2 ± --- 1 PLACE ± --- ± --- ANGULAR ± 3 °	DIMENSION STYLE MM ONLY DRAWN BY SKLIM01 DATE 2006/06/29 CHECKED BY PATEY DATE 2006/07/07 APPROVED BY PATEY DATE 2006/07/07	SCALE NTS DESIGN UNITS METRIC THIRD ANGLE PROJECTION	TITLE CUSTOM HEADER CGRID, DUAL ROW HDR, DUAL BODY, SMT W/PEGS, VERT. MOLEX INCORPORATED DOCUMENT NO. SD-87939-017 SHEET NO. 4 OF 4
			DRAFT WHERE APPLICABLE MUST REMAIN WITHIN DIMENSIONS	SEE TABLE	MATERIAL NO. THIS DRAWING CONTAINS INFORMATION THAT IS PROPRIETARY TO MOLEX INCORPORATED AND SHOULD NOT BE USED WITHOUT WRITTEN PERMISSION		

9 8 7 6 5 4 3 2 1