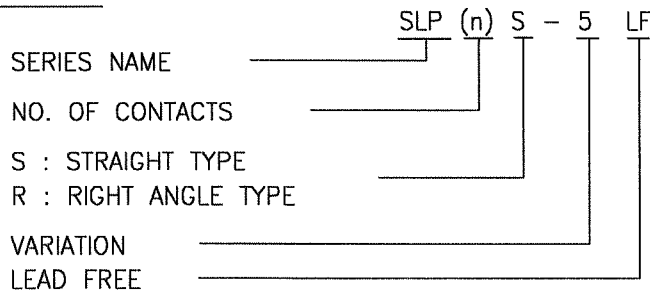


CAT. NO. & DIMENSIONS

NO. OF CONTACTS	STRAIGHT TYPE CAT. NO.	RIGHT ANGLE TYPE CAT. NO.	DIMENSIONS(NOTE1)	
			A ±0.3	B ±0.1
4	SLP 4 S - 5 LF	SLP 4 R - 5 LF	11.15	6.45
5	SLP 5 S - 5 LF	SLP 5 R - 5 LF	12.40	7.70
6	SLP 6 S - 5 LF	SLP 6 R - 5 LF	13.65	8.95
7	SLP 7 S - 5 LF	SLP 7 R - 5 LF	14.90	10.20
8	SLP 8 S - 5 LF	SLP 8 R - 5 LF	16.15	11.45
9	SLP 9 S - 5 LF	SLP 9 R - 5 LF	17.40	12.70
10	SLP 10S - 5 LF	SLP 10R - 5 LF	18.65	13.95
11	SLP 11S - 5 LF	SLP 11R - 5 LF	19.90	15.20
12	SLP 12S - 5 LF	SLP 12R - 5 LF	21.15	16.45
13	SLP 13S - 5 LF	SLP 13R - 5 LF	22.40	17.70
14	SLP 14S - 5 LF	SLP 14R - 5 LF	23.65	18.95
15	SLP 15S - 5 LF	SLP 15R - 5 LF	24.90	20.20
16	SLP 16S - 5 LF	SLP 16R - 5 LF	26.15	21.45
17	SLP 17S - 5 LF	SLP 17R - 5 LF	27.40	22.70
18	SLP 18S - 5 LF	SLP 18R - 5 LF	28.65	23.95
19	SLP 19S - 5 LF	SLP 19R - 5 LF	29.90	25.20
20	SLP 20S - 5 LF	SLP 20R - 5 LF	31.15	26.45

CAT. NO.



NOTES

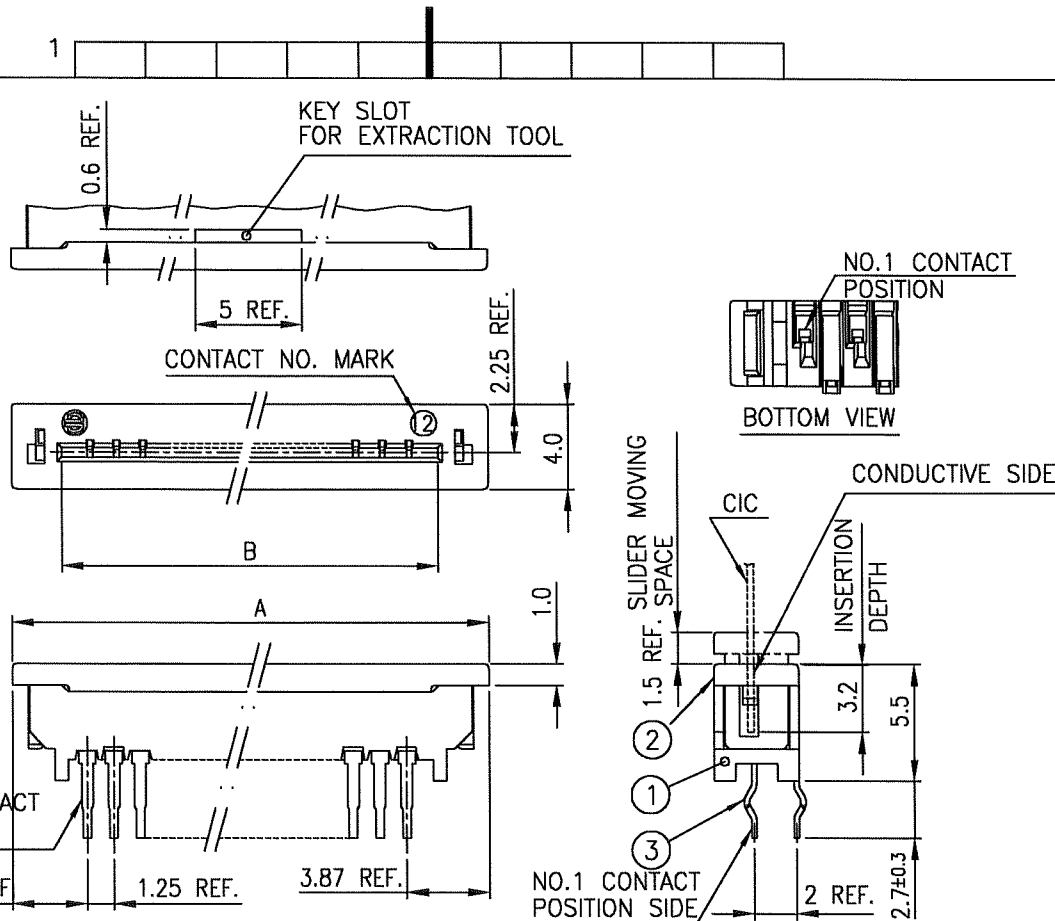
1) SEE PART DRAWINGS FOR DIMENSIONS A & B

mat'l. code				surface <input checked="" type="checkbox"/> ISO 1302 <input checked="" type="checkbox"/> tolerance <input checked="" type="checkbox"/> ISO 406 <input checked="" type="checkbox"/> ISO 1101		projection		product family 58KF		CODE JP	
ltr	ecn no	dr	date	tolerances unless otherwise specified		mm		title CAT.No. TABLE FOR 1.25mm SPACING CONNECTOR (Cat. No. SLP__R/S-5LF)			
A	J05-0713	H.T	10/21/05	angles	linear	scale $\times$		dwg no JSA 96777 sheet 1 of 1 size A4 type Product Customer Drawing			
B	J06-0504	H.T	11/29/06	dr	11/29/06						
				enr	11/29/06						
				chr	11/29/06						
				appd	12/1/06						
sheet index	revision sheet	B 1									Rev. B



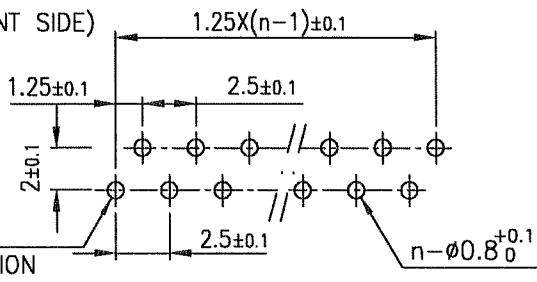
FCIconnect.com

Copyright FCI.



PT. NO.	PARTS NAME	MATERIAL	Q'TY	NOTE
1	HOUSING	PET RESIN GLASS REINFORCED (UL94V-0)	1	COLOR : BLACK
2	SLIDER		1	COLOR : GRAY
3	CONTACT	PHOSPHOR BRONZE	n	PLATING : TIN Ni UNDER PLATED

RECOMMENDED PC BOARD THICKNESS : 0.8~1.6  
HOLE PATTERN (COMPONENT SIDE)



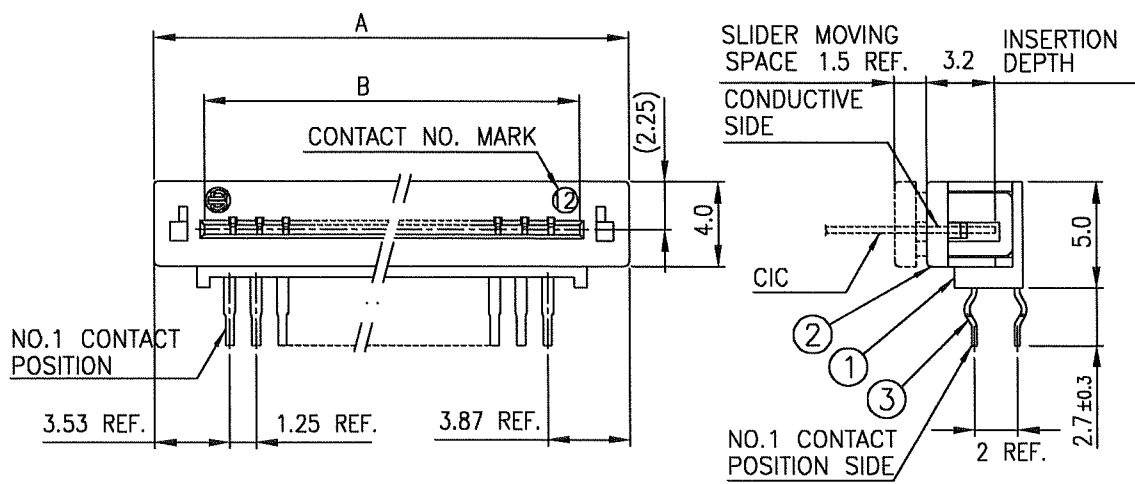
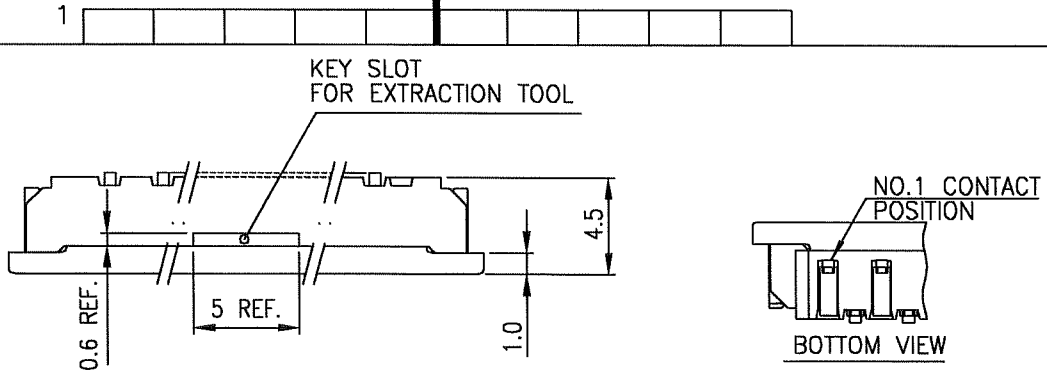
THIS PRODUCT MEETS EUROPEAN UNION DIRECTIVES AND OTHER COUNTRY REGULATIONS AS DESCRIBED IN GS-22-008.  
THE HOUSING WILL WITHSTAND EXPOSURE TO 260°C PEAK TEMPERATURE FOR 10 SECONDS IN A WAVE SOLDER APPLICATION WITH A 1.6mm THICK CIRCUIT BOARD.

mat'l. code		surface 58 / ISO 1302 ✓		tolerance ISO 406 / ISO 1101		projection		product family 58KF		CODE JP		
ltr	ecn no	dr	date	tolerances unless otherwise specified		mm		title				
A	J05-0713	H.T	10/21/05	±0.2		mm		1.25mm SPACING CONNECTOR FOR CIC (Cat. No. SLP__S-5LF)				
B	J06-0504	H.T	11/29/06	angles	linear	scale X		dwg no JSA 96778 sheet 1 of 1 size A4				
				dr	<i>H. Shouji</i>	11/29/06			type Product Customer Drawing			
				enrg	<i>H. Shouji</i>	11/29/06						
				chr	<i>K. Shouji</i>	11/29/06						
				appd	<i>S. Madao</i>	12/11/06						
sheet index	revision sheet	B	1									Rev. B



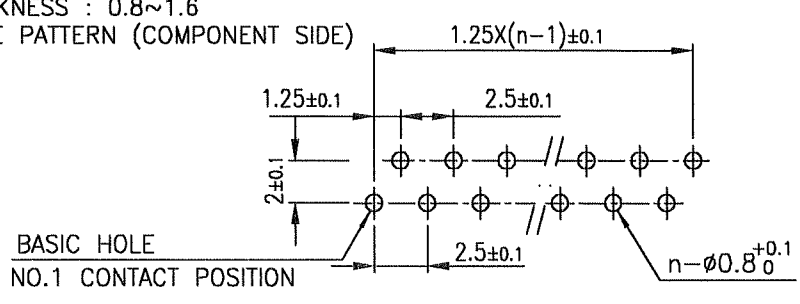
FCJconnect.com

Copyright FCI.



PT. NO.	PARTS NAME	MATERIAL	Q'TY	NOTE
1	HOUSING	PET RESIN GLASS REINFORCED	1	COLOR : BLACK
2	SLIDER	(UL94V-0)	1	COLOR : GRAY
3	CONTACT	PHOSPHOR BRONZE	n	PLATING : TIN Ni UNDER PLATED

RECOMMENDED PC BOARD THICKNESS : 0.8~1.6 HOLE PATTERN (COMPONENT SIDE)



THIS PRODUCT MEETS EUROPEAN UNION DIRECTIVES AND OTHER COUNTRY REGULATIONS AS DESCRIBED IN GS-22-008. THE HOUSING WILL WITHSTAND EXPOSURE TO 260°C PEAK TEMPERATURE FOR 10 SECONDS IN A WAVE SOLDER APPLICATION WITH A 1.6mm THICK CIRCUIT BOARD.

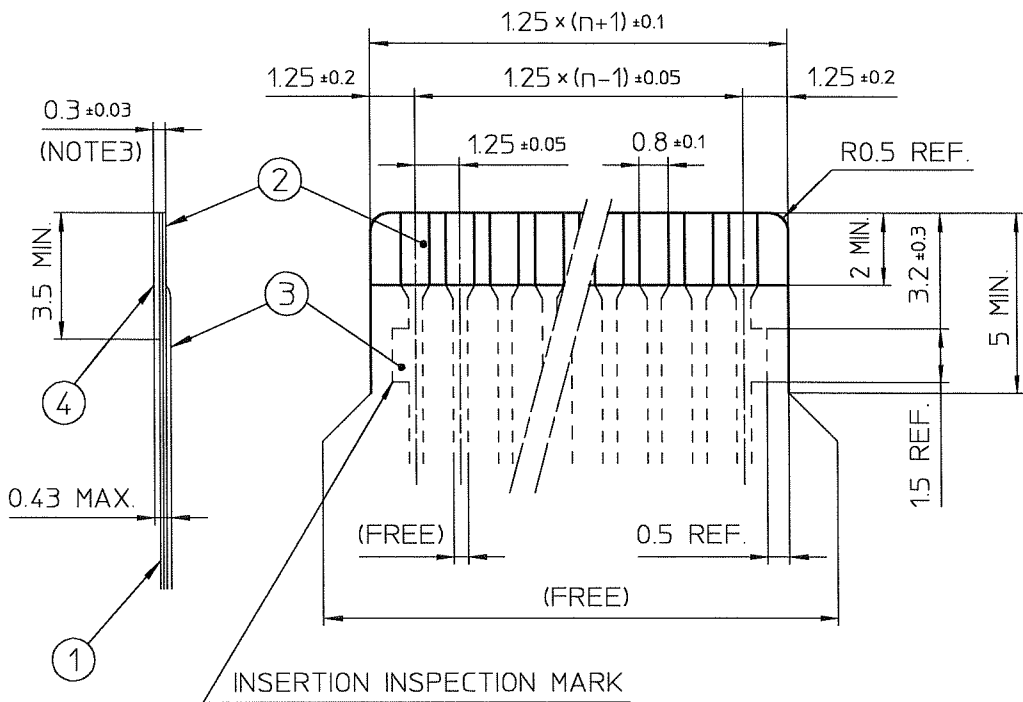
mat'l. code				surface ISO 1302 ✓		tolerance ISO 406 ISO 1101		projection		product family 58KF		CODE JP	
ltr ecn no dr date				tolerances unless otherwise specified		mm		title		1.25mm SPACING CONNECTOR FOR CIC (Cat. No. SLP__R-5LF)			
A J05-0713 H.T 10/21/05				±0.2		mm		scale X		dwg no sheet 1 of 1 size			
B J06-0504 H.T 11/29/06				linear		mm		FCJ		JSA 96779 A4			
sheet index				revision B		type		Product Customer Drawing					
1				1		Rev. B		2					



Copyright FCI.

RECOMMENDED CABLE (CIC)

n : NO. OF CONDUCTORS



BILL OF MATERIAL

PT. NO.	PARTS NAME	MATERIAL	THICKNESS (μm)
1	BASE FILM	POLYESTER OR EQUAL	75
2	CONDUCTOR	CARBON PASTE OVER SILVER PASTE	10 MIN.
3	OVERLAY	POLYESTER OR EQUAL	—
4	SUPPORTING TAPE	POLYESTER OR EQUAL	188

NOTES

1. NO BURR AT EACH PORTION.
2. NO PEELING IN COMMON USE.
3. THIS DIMENSION PRESCRIBES TOTAL THICKNESS OF PT. NO. 1, 2 & 4 INCLUDING ADHESIVES.

mat'l. code				surface ISO 1302 ✓		tolerance ISO 406 ISO 1101		projection ⊕		product family 58KF					
ltr	ecn no	dr	date	tolerances unless otherwise specified						title RECOMMENDED CABLE (CIC) (Cat. No. SLP_R/S-5_)					
1	—	H.T	6/2/98	angles		linear		↔		scale X					
A	J06-0504	H.T	11/29/06					scale X		dwg no JSA 28896		sheet 1 of 1 size A4			
				dr <i>H. Hoshino</i> 11/29/06		enr <i>H. Hoshino</i> 11/29/06		chr <i>K. Shouji</i> 11/29/06		appd <i>S. Oudamus</i> 12/11/06		type Product Customer Drawing		Rev A	
sheet index		revision sheet		A		1									



FCIconnect.com

Copyright FCI

