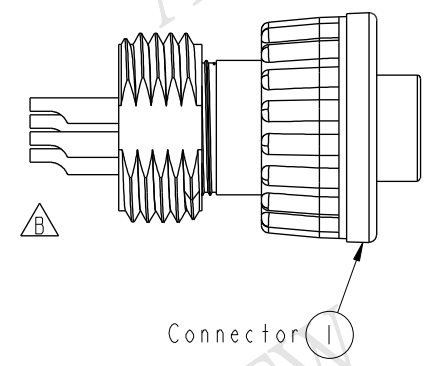
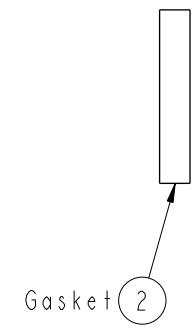
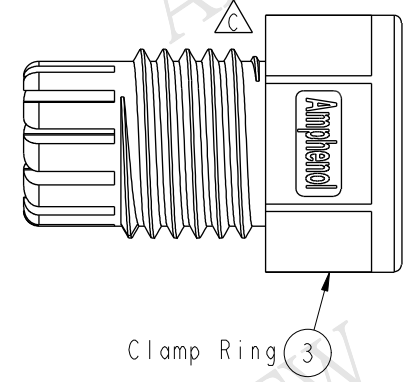
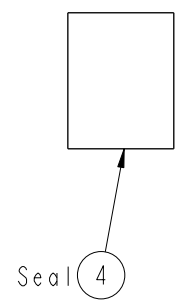
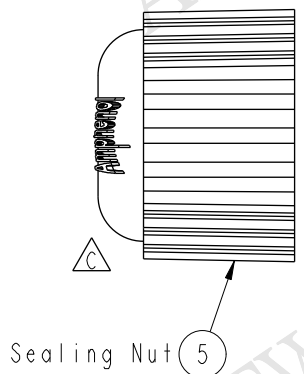


THIS DOCUMENT IS SUBJECT TO CHANGE WITHOUT NOTICE. IT IS CONFIDENTIAL AND A PROPERTY OF Amphenol LTW. DISCLOSURE TO THIRD PARTY HAS TO BE AUTHORIZED BY Amphenol LTW.

REV.	ECN NO.	DATE	SIGN	DESCRIPTION
B	LEN-0C0325	2010/11/25	Ivan Lin	Change View & Frame
C	LEN14B0093	2014/11/03	Vicky	Update Logo

ALTW
CONFIDENTIAL
2014-11-03
R&D DEPT.

ALTW
DCC. DEPT.
CONFIDENTIAL
2014.11.11
ISSUED



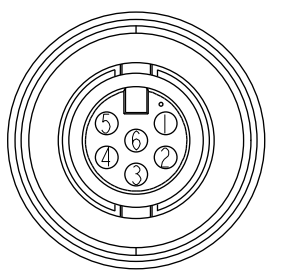
Sealing Nut (5)

Seal (4)

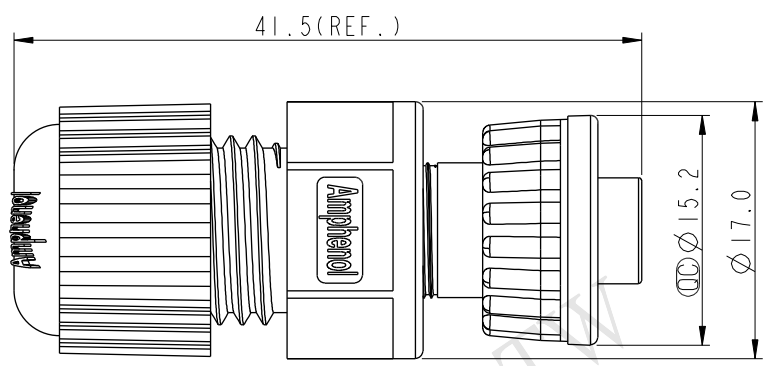
Clamp Ring (3)

Gasket (2)

Connector (1)



Pin Assignments
Front View 前視圖



Note:

- * \varnothing Important Dimension To Check.
- * Waterproof Rate: IP67
- * Housing: Nylon+GF, Black
- * Female Pin: Copper Alloy, Gold Plated
- * O-Ring: EPDM, Black
- * Lock Nut: Nylon+GF, Black
- * Gasket: EPDM, Black
- * Clamp Ring: Nylon, Black
- * Seal: EPDM, Black
- * Sealing Nut: Nylon, Black
- * Seal For Cable OD: $\varnothing 4.5\text{mm} \sim \varnothing 6.5\text{mm}$
(防水墊圈線徑: $\varnothing 4.5\text{mm} \sim \varnothing 6.5\text{mm}$)
- * One Set Unassembled In One PE Bag
(每一組未組裝, 放置於一個PE袋, 並封口)

UNIT: mm		
TOLERANCE		
.X	± 0.25	
.XX	± 0.1	
.XXX	± 0.05	
ANGLES	$\pm 1^\circ$	

TITLE Lock Type Connector For Field Intallation 180° 6Pin Female Connector Female Pin(2A)			
SCALE	SIZE	SHEET	OF
2:1	A4	1	2
REV.	WC-REV.	\varnothing : Inspection item	
C	A.1		

Amphenol LTW
安費諾亮泰企業股份有限公司

ITEM NO.	AW-06BFFA-LL7001	DRAWN BY	Vicky	DATE	2014-11-03
DWG NO.	AU-06BFFA-LL7001	CHECKED BY	Sam	DATE	2014-11-03
CUSTOMER	ALTW	APPROVED BY	Rita	DATE	2014-11-03