

1 2 3 4 5 6

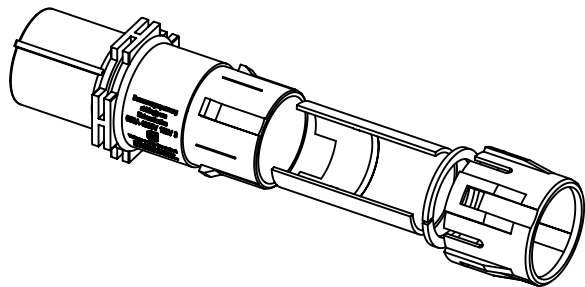
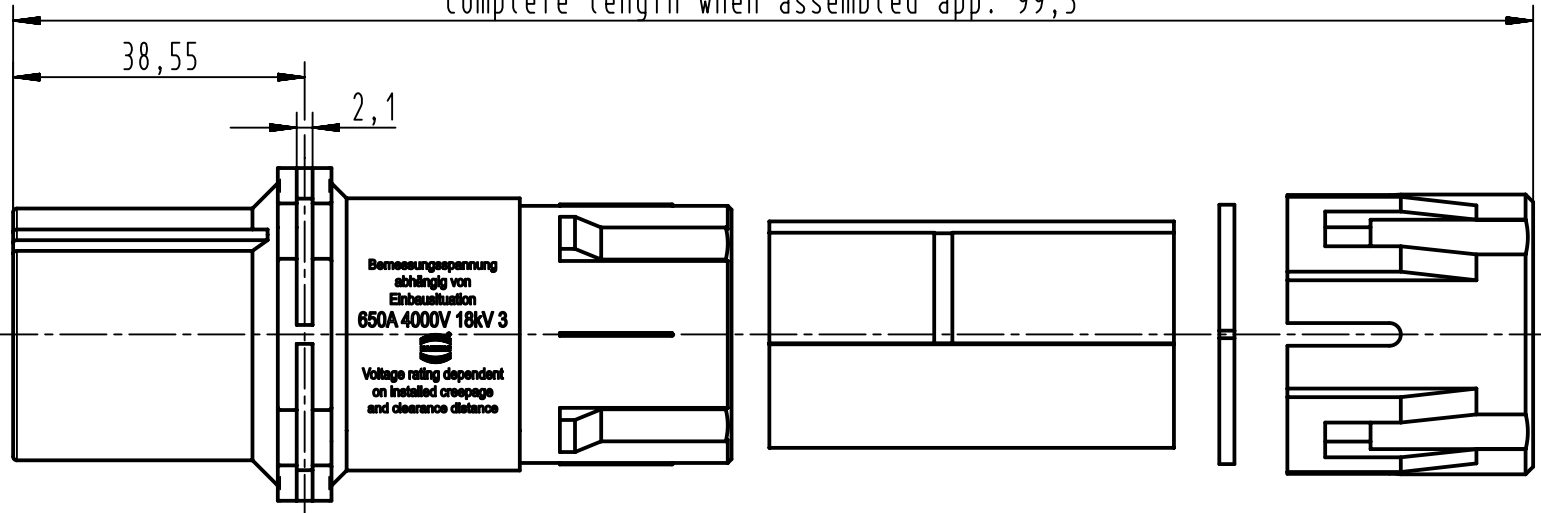
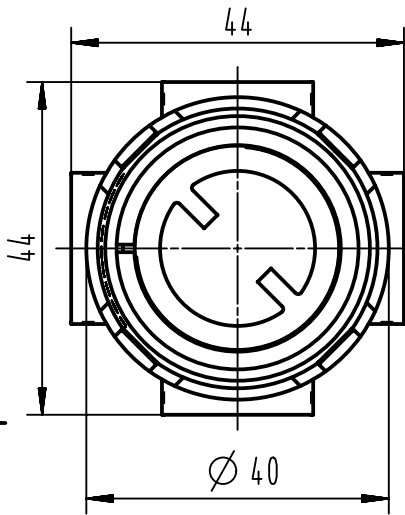
A



B

C

D

complete length when assembled app. 99,5



 All Dimensions in mm Original Size DIN A4	Scale 1:1		Free size tol.		Ref.	
	Created by GRUBES		Inspected by BEISCHER	Standardisation SCHMIDTM	Date 2012-08-21	State Final Release
 All rights reserved Department EL PD - DE	Title Han 1HC-F-TC650				Doc-Key / ECM-Nr. 100503265/UGD/002/A	
	HARTING Electric GmbH & Co. KG D-32339 Espelkamp		Type TB	Number 09 11 001 3112		Rev. A