

THIS DRAWING IS UNPUBLISHED.

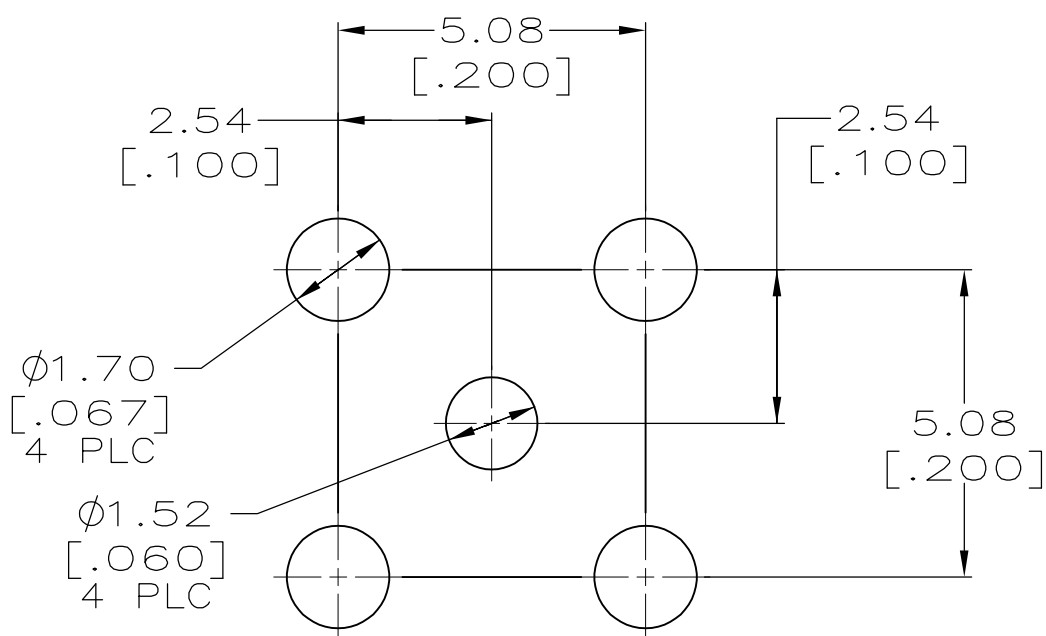
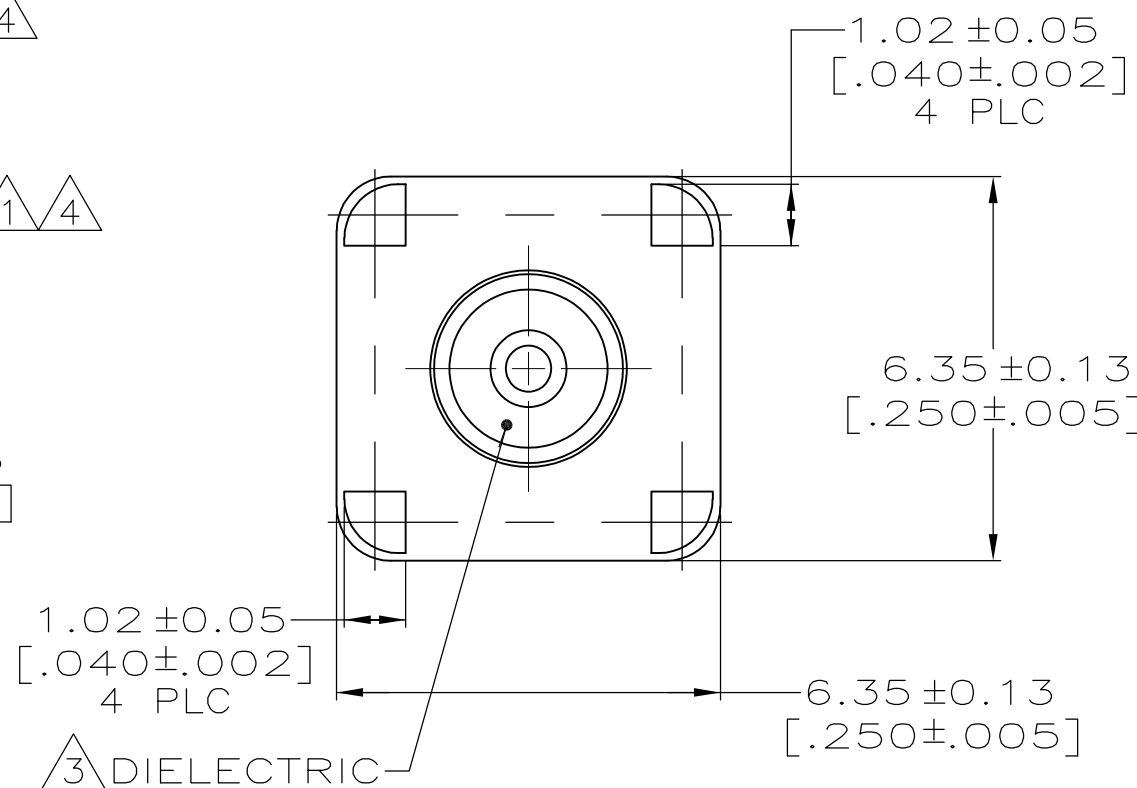
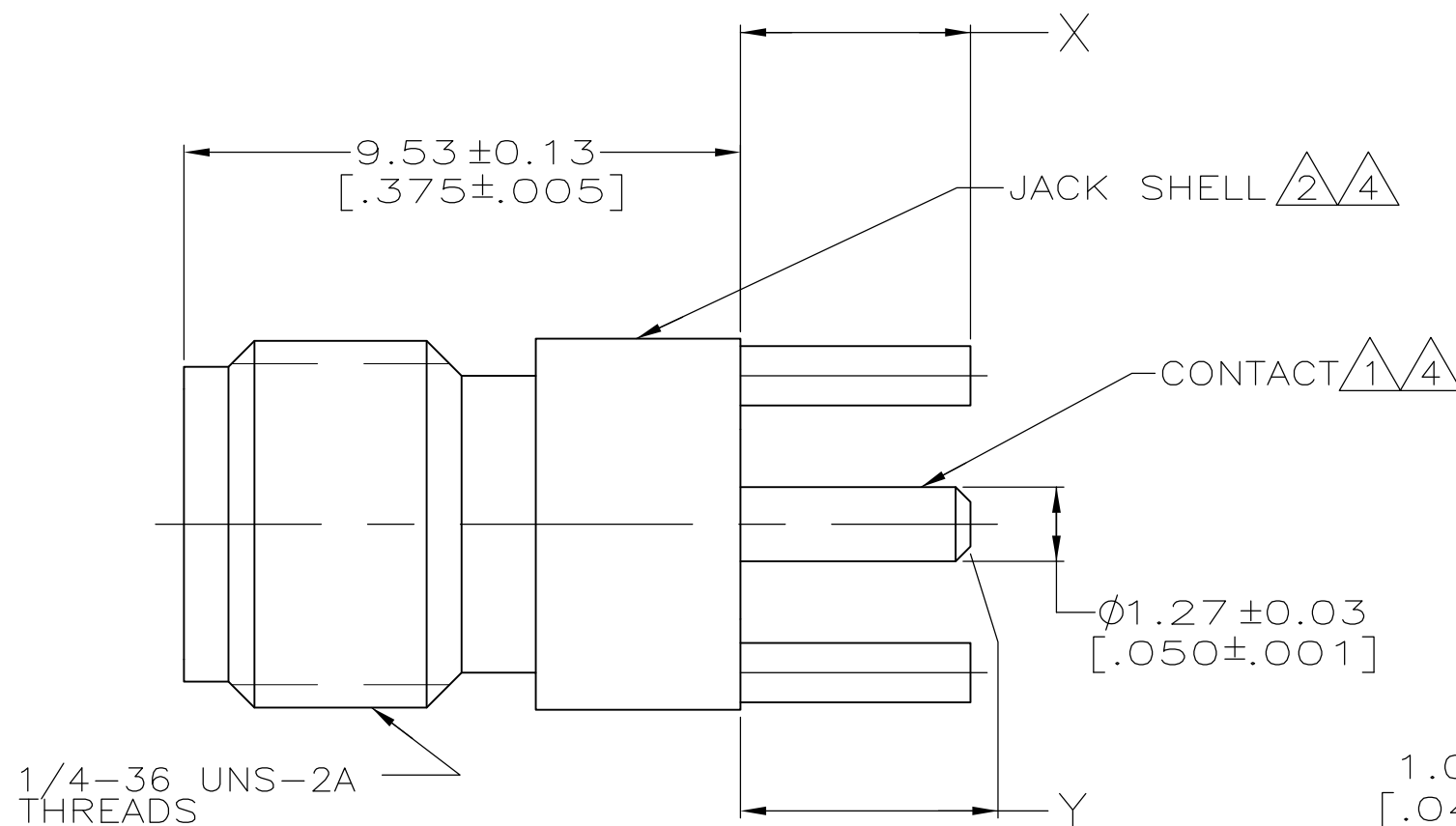
RELEASED FOR PUBLICATION

ALL RIGHTS RESERVED.

© COPYRIGHT - By -

LOC	DIST	REVISIONS			
P	LTR	DESCRIPTION	DATE	DWN	APVD
AJ	16	F	ECR-12-017548	07JUN13	AM MY

- ① BERYLLIUM COPPER PER ASTM-B-197.
- ② BRASS PER ASTM-B-16.
- ③ PTFE, PER ASTM-D-1710.
- ④ GOLD PLATE PER MIL-G-45204.
- ⑤ PACKAGED ON TAPE & REEL PER EIA-STD481 WITH SOLDER LEGS DOWN.



RECOMMENDED PCB CONFIGURATION

OBSOLETE	⑤	Y		X		PART NUMBER
		2.67 ^{+0.25} / _{-0.15} [.105 ^{+0.010} / _{-.006}]	2.67 ± 0.13 [.105 ± 0.005]	2.67 ^{+0.25} / _{-0.15} [.105 ^{+0.010} / _{-.006}]	2.67 ± 0.13 [.105 ± 0.005]	
		3.94 [.155]	3.94 ± 0.25 [.155 ± 0.010]			221789-4
						221789-3
						221789-1

THIS DRAWING IS A CONTROLLED DOCUMENT.		DWN B. MOYER 25NOV97	STE TE Connectivity		
DIMENSIONS: mm [INCHES]		CHK J. CABARLO 25NOV97			
TOLERANCES UNLESS OTHERWISE SPECIFIED:		APVD J. CABARLO 25NOV97	NAME JACK, VERTICAL, PCB, SMA SERIES		
0 PLC ± -		PRODUCT SPEC	SIZE		
1 PLC ± -		APPLICATION SPEC	CAGE CODE		
2 PLC ± 0.08 [.003]		WEIGHT	DRAWING NO		
3 PLC ± -		CUSTOMER DRAWING	RESTRICTED TO		
4 PLC ± -			A3 00779 C-221789		
ANGLES ± -		SCALE 8:1			
FINISH		SHEET 1 OF 1			
① ② ③		REV F			