

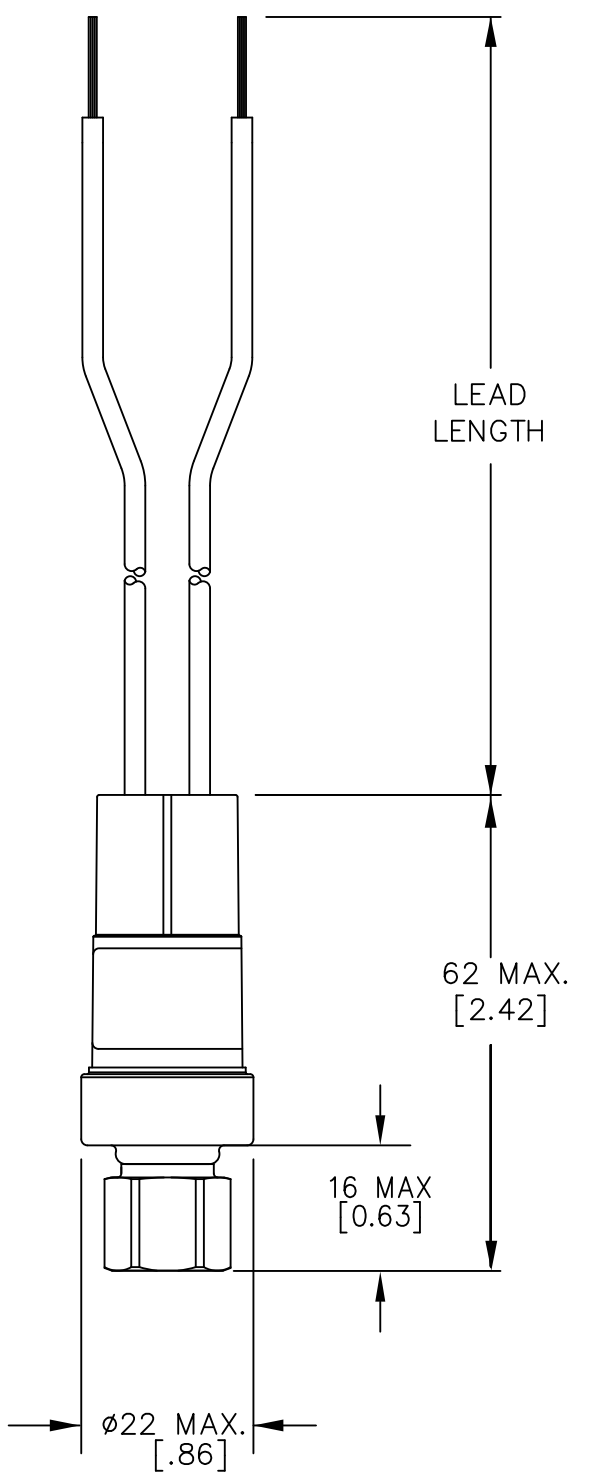
4

3

2

1

ZONE	REV.	REVISION DESCRIPTION	ECN NO.	DATE



DIMENSIONS ARE: MM [IN]

FOR REFERENCE ONLY, CHECK LATEST REVISION BEFORE USE.
PARTS MADE TO THIS PRINT MUST CONFORM TO E9898 REV. E

DRAWN
DATE
ENGINEER
DATE
APPROVED
DATE
APPROVED
DATE
APPROVED
DATE


SENSATA TECHNOLOGIES PROPRIETARY AND CONFIDENTIAL. NEITHER THIS PRINT NOR THE INFORMATION CONTAINED HEREON IS TO BE USED AGAINST THE INTERESTS OF SENSATA TECHNOLOGIES OR AGAINST THE INTERESTS OF ANY OF ITS AFFILIATED COMPANIES OR WHOLLY OWNED SUBSIDIARIES.

INTERPRET DIMENSIONING AND TOLERANCING PER ASME Y14.5-2009. UNLESS OTHERWISE SPECIFIED DIMENSIONS ARE IN INCHES.

TOLERANCES
DECIMALS ANGLES

DO NOT SCALE DRAWING

THIRD ANGLE PROJECTION



529 PLEASANT STREET
P.O. BOX 2964
ATTLEBORO, MA 02703

TITLE LEADED GENERIC PS80		
SIZE B	DWG NO. PS80-XX-YYYY	REV.
SCALE 1:1	AUTOCAD	SHEET 1 OF 4

DEVICE:	PROJECT:

4

3

2

1