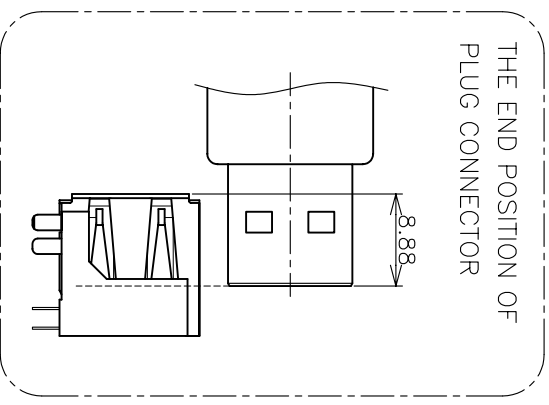
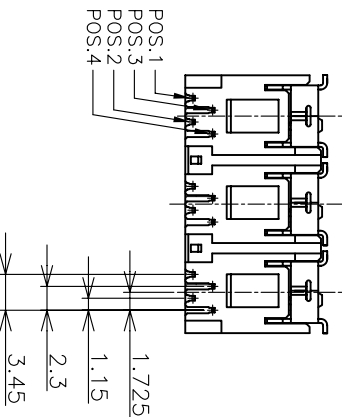
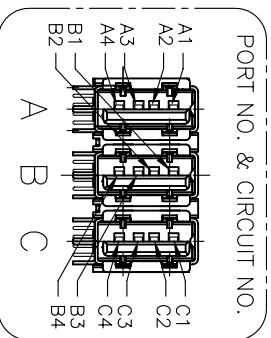
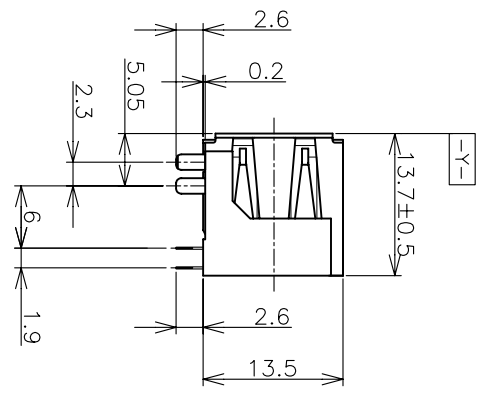
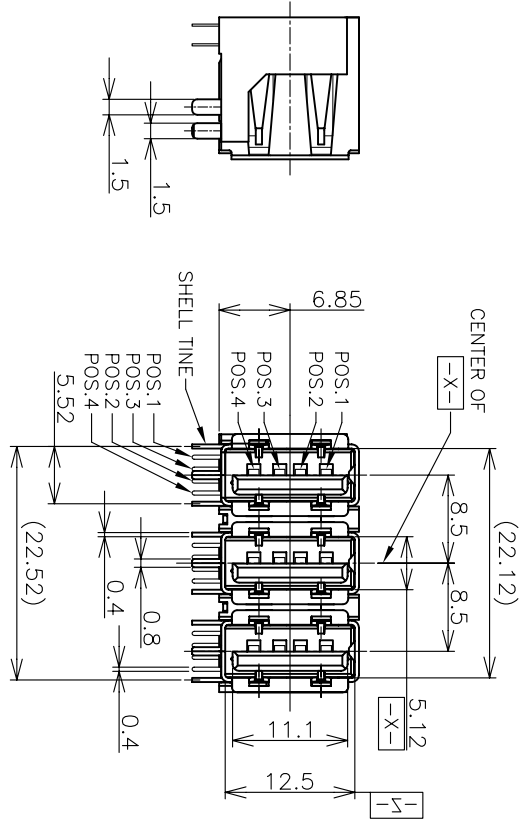
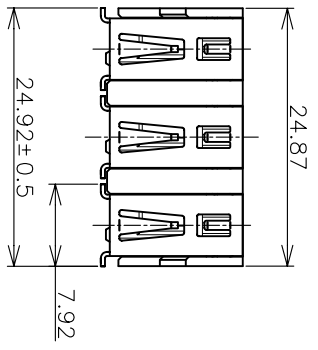


REV. NO.	DATE	BY	APPROVED BY
1	24JAN05	G.Z. I.E.	



MATERIAL: THERMO-PLASTICS UL94V-0 BLACK  
 CONTACT: COPPER ALLOY  
 FRONT SHELL: COPPER ALLOY  
 FINISH  
 CONTACT: NICKEL UNDER PLATE ALL OVER.  
 CONTACT AREA: GOLD PLATE  
 TINE AREA: TINE PLATING  
 FRONT SHELL: TIN PLATE

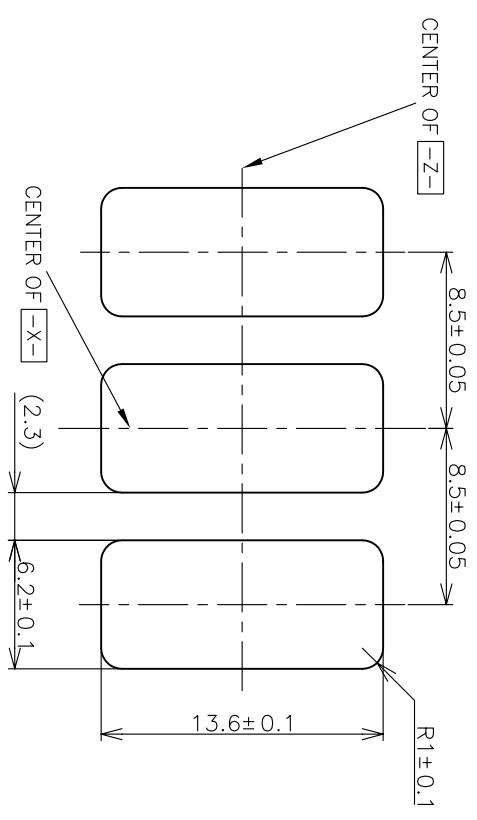
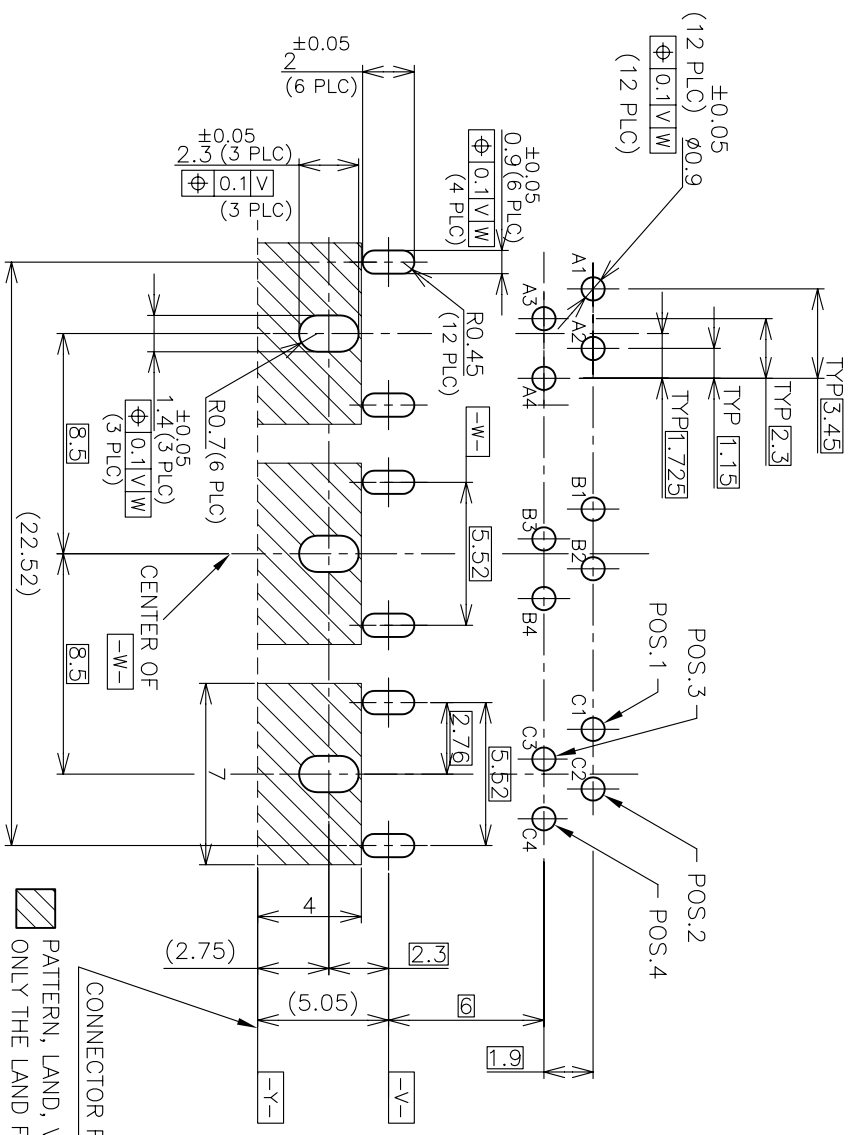
1674452-3 : AS SHOWN

THIS DRAWING IS A CONTROLLED DOCUMENT.		DWG NO.	24JAN05
DIMENSIONS: IN MM		CHK.	GAVIN ZHANG
TOLERANCES UNLESS OTHERWISE SPECIFIED:		APPROVED	STEVEN YAO
0 P.L.C.	± 0.3	NAME	ENDOMOTO
1 P.L.C.	± 0.3	PRODUCT SPEC	AM-1#1#
2 P.L.C.	± 0.3	APPLICATION SPEC	2.07m 0.1#
3 P.L.C.	± 0.3	WEIGHT	
4 ANGLES	± 0.3	CUSTOMER DRAWING	
FINISH	ALZ	SIZE	A3
MATERIAL	ALZ	CAGE CODE	00779
		DRAWING NO.	1674452

# APPLICATION PRODUCT: 1674452-3

LOC	DIST	REV	DESCRIPTION	DATE	BY	APP'D
J		P	LTR			
			SEE SHEET 4			

REVISIONS	
#	DESCRIPTION
1	DATE
2	BY
3	APP'D

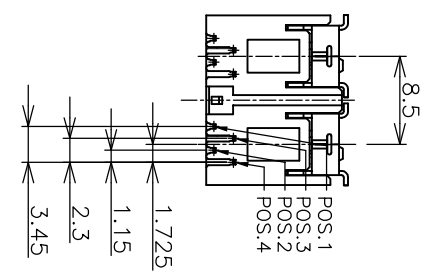
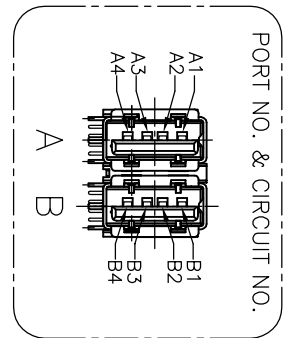
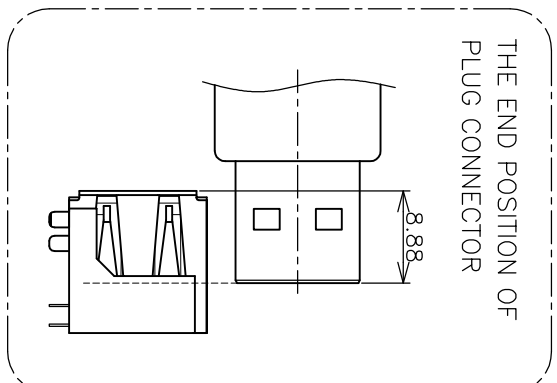
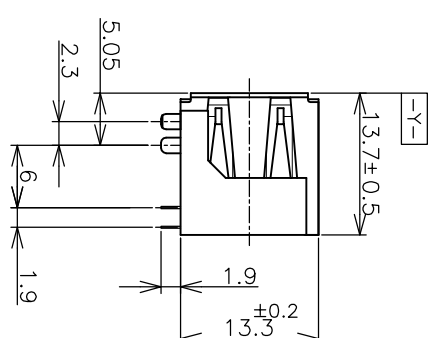
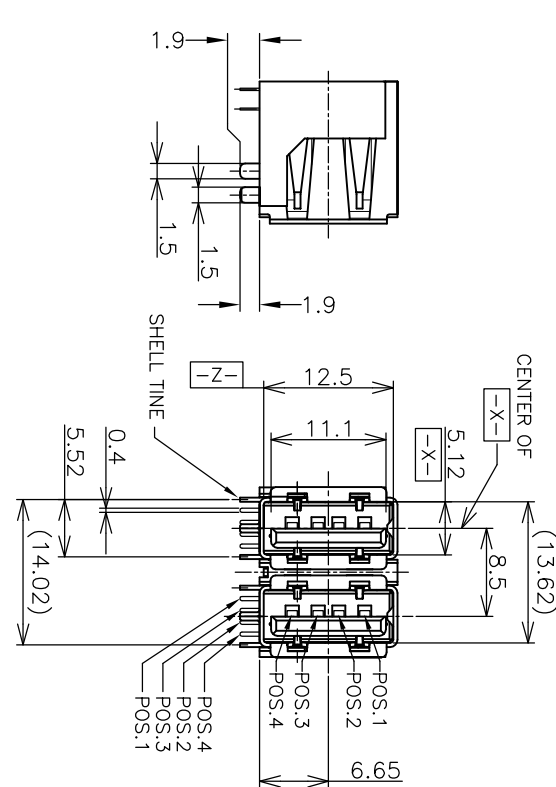
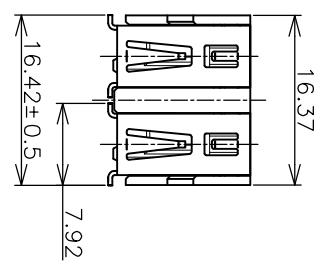


\*THIS DIMENSIONS ARE NOT CONSIDERATION  
 PANEL TOLERANCE AND PANEL ASSEMBLY TOLERANCE.  
RECOMMENDED PANEL DIMENSION

CONNECTOR FRONT SURFACE  
 PATTERN, LAND, VIA HOLE, MOUNT, PROHIBITION AREA.  
 ONLY THE LAND FOR SOLDERING OF FRONT SHELL IS OK.

RECOMMENDED LAYOUT OF P.C.B  
 (CONNECTOR MOUNTING SIDE)  
 RECOMMENDED THICKNESS: 1.0~1.6mm

THIS DRAWING IS A CONTROLLED DOCUMENT.		DMN	
DIMENSIONS: (H#) D (W#) MM		CHK	
TOLERANCES UNLESS OTHERWISE SPECIFIED: (H#) (W#) MM		APVD	
0 PLC	±0.3	PRODUCT SPEC	NAME 77-
1 PLC	±0.3	APPLICATION SPEC	SIZE A3
2 PLC	±0.3	WEIGHT	CAGE CODE 00779
3 PLC	±0.3		DRAWING NO. 1674452
4 PLC	±0.3		RESTRICTED 20
ANGLES	±3		
FINISH	AL7		
MATERIAL	AL7		



REVISIONS		DATE	BY	APP'D
#	DESCRIPTION			
1	SEE SHEET 1	-	-	-

THIS DRAWING IS A CONTROLLED DOCUMENT.

DIMENSIONS:	TOLERANCES UNLESS OTHERWISE SPECIFIED:
MM	MM
0 PLC	± 0.3
1 PLC	± 0.3
2 PLC	± 0.3
3 PLC	± 0.3
4 PLC	± 0.3
ANGLES	± 3
FINISH	
MATERIAL	

DMN	CHK	AP'D	NAME	SIZE	CAGE CODE	DRAWING NO	RESTRICTED TO
			Tyco Electronics	A3	00779	1674452	
			Kawasaki, Japan				
			USB CONNECTOR				
			RECEPTACLE TYPE				
			SCALE	SHEET	OF	REV	
			5:1	3	4	0	

1674452-2 : AS SHOWN

