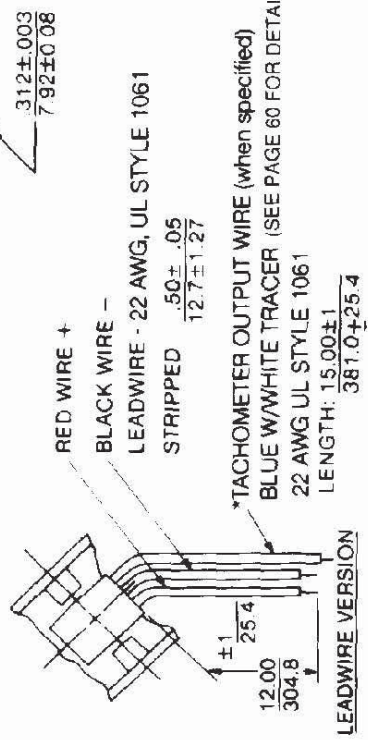
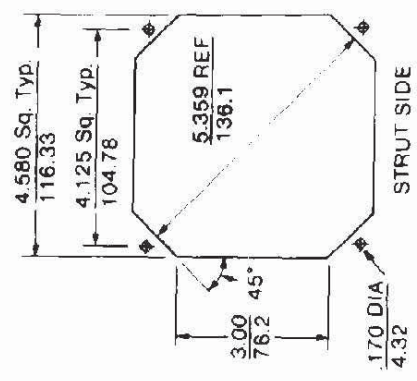
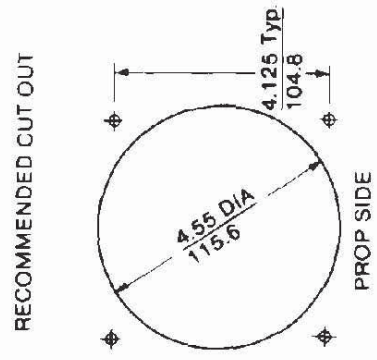
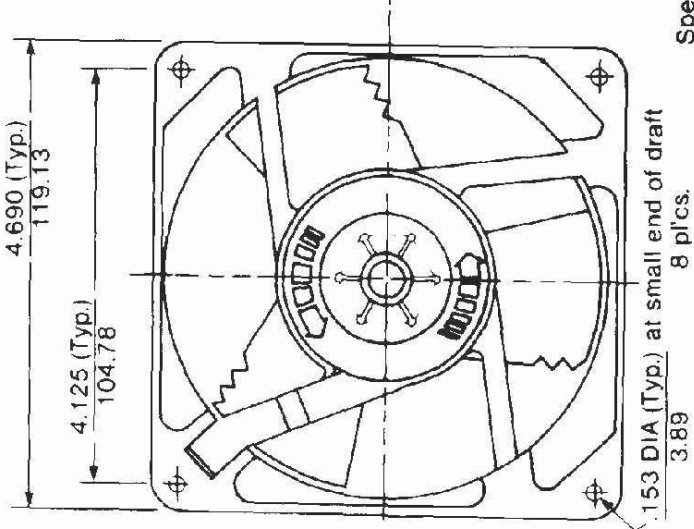
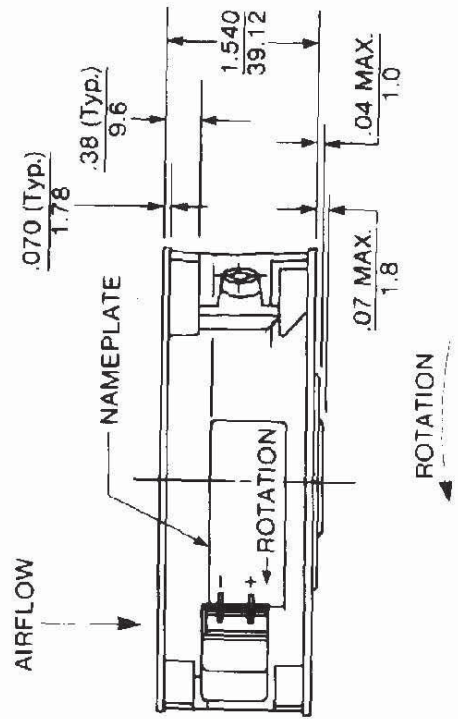
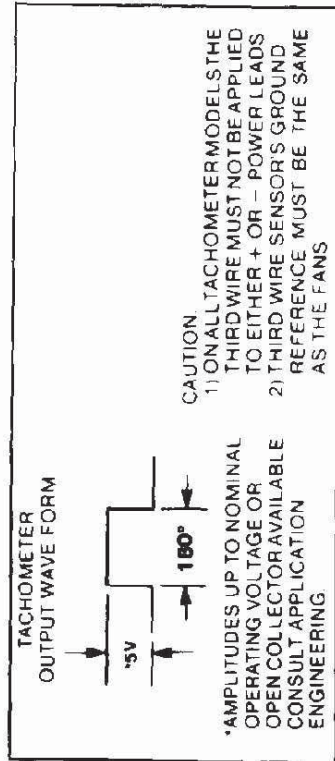


*TACHOMETER OUTPUT WIRE
(when specified)

TERMINAL VERSION
TERMINALS:
.120 ± .002 / 3.05 ± 0.05 WIDE
.020 ± .001 / 0.51 ± 0.03 THICK
.300 ± .020 / 7.62 ± 0.51 LONG
(WILL FIT AMP SERIES 110 TERMINALS OR EQUIVALENT)



*TACHOMETER OUTPUT WIRE (when specified)
BLUE W/WHITE TRACER (SEE PAGE 60 FOR DETAILS)
22 AWG UL STYLE 1061
LENGTH: 15.00 ± 1.27
381.0 ± 25.4



DIMENSIONS:	in	±
	mm	
TOLERANCES:	.xx	= .03
		0.8
	.xxx	= 0.10
		.25
ANGULAR ± 2°		
(UNLESS NOTED)		

Specifications subject to change without notice.