

APM Hexseal's **Seeloc® Washers** consist of molded silicone rubber bonded to specially formed stainless steel washers. Designed to be used in conjunction with conventional screws, bolts or studs, Seeloc Washers are a simple solution for all sorts of sealing needs. The silicone contact surface features a continuous ridge which, upon compression, creates a 360° sealing barrier around the periphery of the washer face. The silicone rubber also forms a seal under the head of the associated fastener and makes full vertical contact with the threads/shank, making for a complete, high-pressure seal unlike any other.

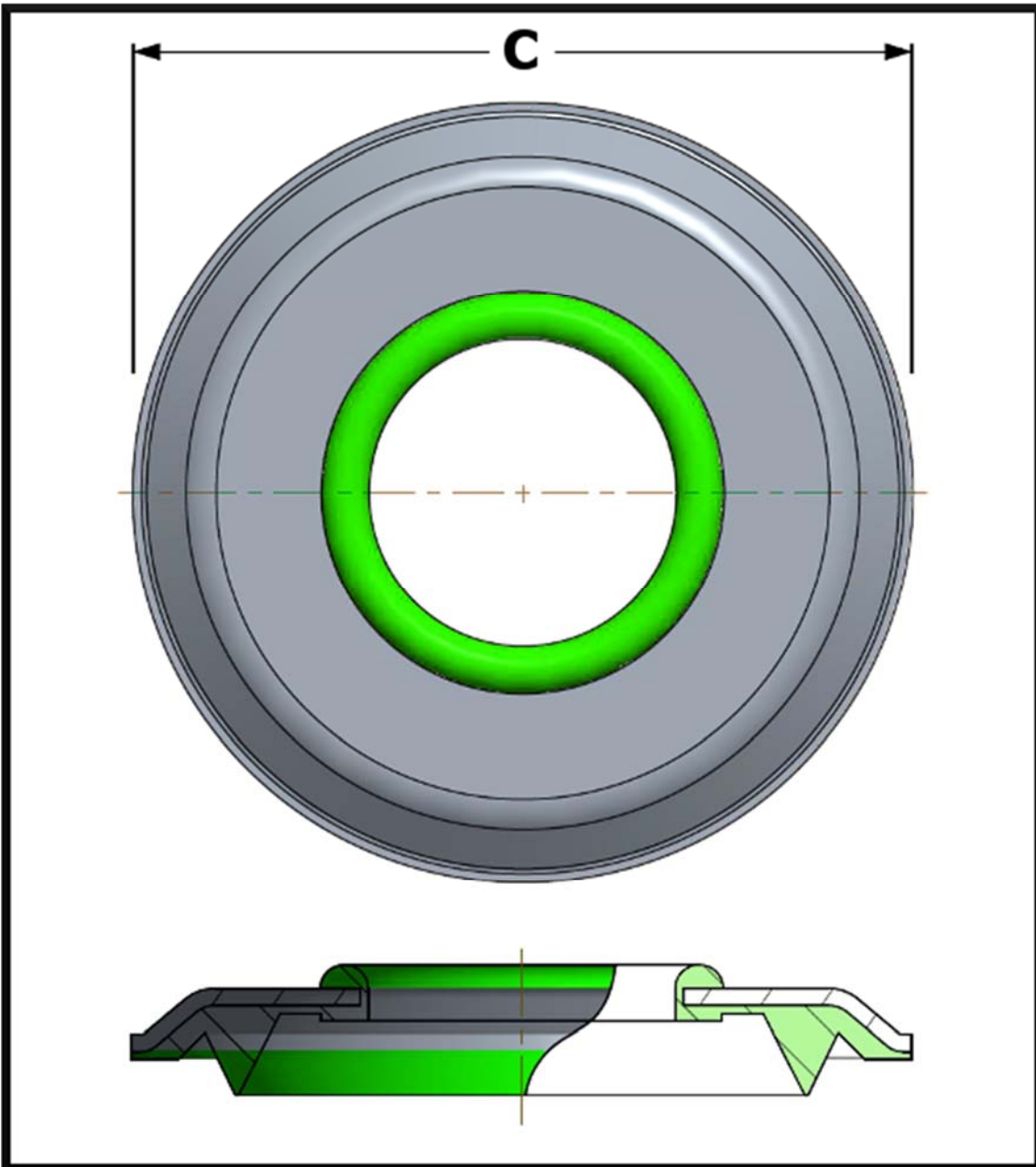
In addition to conventional mounting holes, Seeloc Washers can be used over extra-large holes, or even oddly shaped adjustment slots. They also make an excellent "plug" for sealing optional knockout holes in control boxes or electrical cabinets. Their reusability make them perfect for applications that might require periodic maintenance or adjustments.

UL Recognized (UL Type 4X/6 enclosures) and IP66/68 rated, Seeloc Washers provide a high-performance, air- and liquid-tight seal that is ideal for applications where spray, vapors or wash-downs are present, or where there is a concern of damage from a wide range of contaminants, such as dust, oils and salt build-up.

APM Hexseal is now introducing our newly developed **Heavy Duty Seeloc® Washers**, capable of handling torque values AT LEAST 50% higher than our original Seeloc Washers. Currently available in both 1/2" (14mm) and 1" (25.4mm) O.D. sizes, these new sealing washers are perfect for a myriad of sealing requirements, from medical equipment and chemical handling, to construction equipment and food processing.

Seeloc® Washers are a proven solution just waiting for a problem!

For information on maximum torque values for our Original and Heavy Duty Seeloc Washers please see our table of **Torque Values for Seeloc® Washers**.



MATERIAL SPECIFICATIONS

For APM Hexseal® Standard Seeloc® Washers

Washer Material: 18/8 Stainless Steel

Elastomer: Silicone[†] conforms to A-A-59588, Class 3A, GR50, Green ‡

Temperature Range: -103° F to +400° F (-75° C to +204° C)

Pressure Range: Up to 100 psig internal and external.

Resistant to: Splash, salt spray, sunlight, ozone, weather, fungus, dust, and most acids and lubricating oils.

Shelf Life: Excess of 25 years

Alternative elastomers are available. Please consult our [Molded Elastomer Options](#) for details.

‡ Standard color for Metric Seeloc Washers is red. Alternative elastomer colors are available by special order.

STANDARD AND HEAVY DUTY SEELOC® WASHERS^{Fig.1}

APM Hexseal Part #	Compatible Thread Size	Outer Diameter (C)	Max. Mounting Hole Diameter
75601	#6	1/2" (0.550")	1/4" (6.35mm)
75801	#8	1/2" (0.550")	1/4" (6.35mm)
75101	#10	1/2" (0.550")	1/4" (6.35mm)
75101HD	#10	1/2" (0.550")	1/4" (6.35mm)
75602	#6	1"	3/8" (9.53mm)
75602HD	#6	1"	3/8" (9.53mm)
75802	#8	1"	3/8" (9.53mm)
75102	#10	1"	3/8" (9.53mm)
75102HD	#10	1"	3/8" (9.53mm)
75082	1/4"	1"	3/8" (9.53mm)
75082HD	1/4"	1"	3/8" (9.53mm)
75107	5/16"	1"	1/2" (12.70mm)
75122	3/8"	1"	5/8" (15.87mm)
75122HD	3/8"	1"	5/8" (15.87mm)
75142	7/16"	1"	5/8" (15.87mm)
75162	1/2"	1"	5/8" (15.87mm)
75603	#6	1-1/2"	5/8" (15.87mm)
75803	#8	1-1/2"	5/8" (15.87mm)
75103	#10	1-1/2"	5/8" (15.87mm)
75083	1/4"	1-1/2"	5/8" (15.87mm)
75108	5/16"	1-1/2"	5/8" (15.87mm)
75123	3/8"	1-1/2"	3/4" (19.05mm)
75143	7/16"	1-1/2"	3/4" (19.05mm)
75163	1/2"	1-1/2"	3/4" (19.05mm)

METRIC SEELOC® WASHERS Fig.1

APM Hexseal Part #	Compatible Thread Size	Outer Diameter (C)	Max. Mounting Hole Diameter
75031	M3	14.0mm	6.35mm
75041	M4	14.0mm	6.35mm
75051	M5	14.0mm	6.35mm
75032	M3	25.4mm	9.53mm
75042	M4	25.4mm	9.53mm
75052	M5	25.4mm	9.53mm
75062	M6	25.4mm	12.70mm
75312	M8	25.4mm	12.70mm
75392	M10	25.4mm	15.87mm
75472	M12	25.4mm	15.87mm