

1. Scope

The present specifications shall apply to a RU2.

2. Outline

| | | |
|--------------|------------------------------------|----------------------------------|
| Type | Silicon Diode | |
| Structure | Resin Molded | Flammability:UL94-V0(Equivalent) |
| Applications | High Frequency Rectification, etc. | |

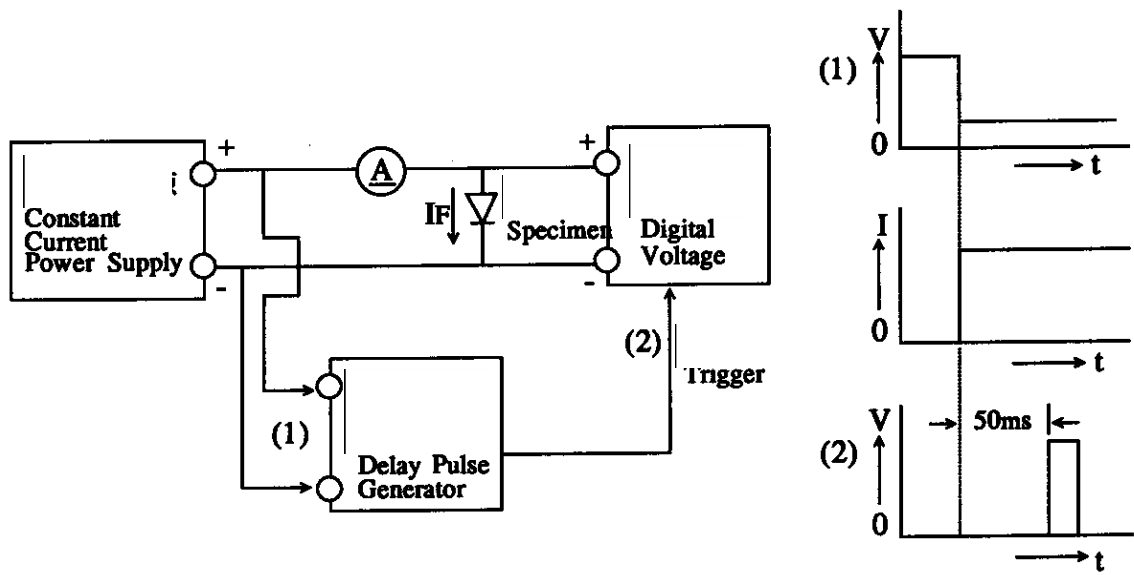
3. Absolute maximum ratings

| No. | Item | Symbol | Unit | Rating | Conditions |
|-----|--------------------------------|-------------|------|----------|------------------------------------|
| 1 | Transient Peak Reverse Voltage | V_{RSM} | V | 650 | |
| 2 | Peak Reverse Voltage | V_{RM} | V | 600 | |
| 3 | Average Forward Current | $I_{F(AV)}$ | A | 1.0 | Refer to 6 |
| 4 | Peak Surge Forward Current | I_{FSM} | A | 20 | 10msec. Half sinewave, one shot |
| 5 | Junction Temperature | T_j | °C | -40~+150 | |
| 6 | Storage Temperature | T_{stg} | °C | -40~+150 | |

4. Electrical characteristics (Ta=25°C, unless otherwise specified)

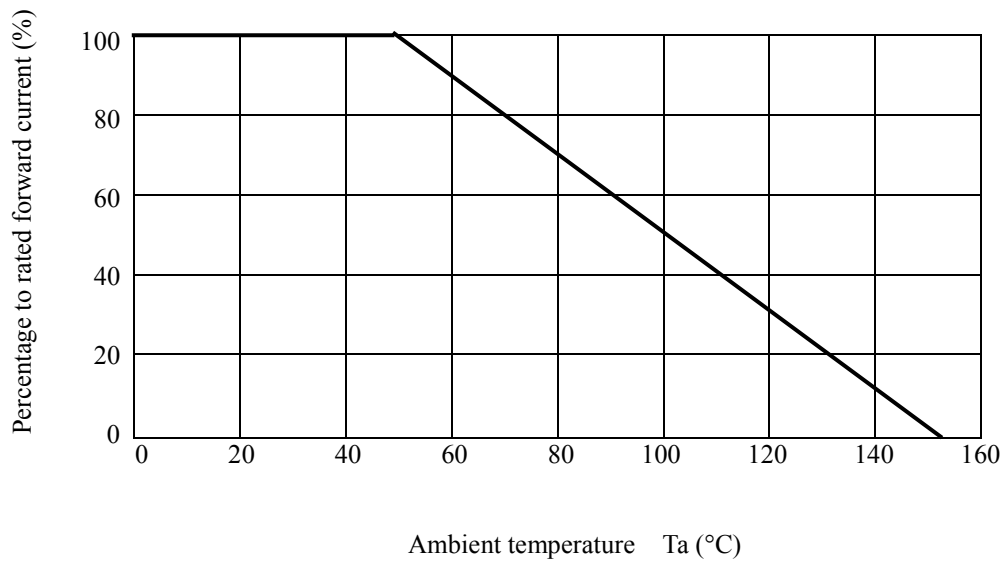
| No. | Item | Symbol | Unit | Value | Conditions |
|-----|--|---------------|-------|-----------|--|
| 1 | Forward Voltage Drop | V_F | V | 1.50 max. | $I_F=1.0A$ |
| 2 | Reverse Leakage Current | I_R | μA | 10 max. | $V_R=V_{RM}$ |
| 3 | Reverse Leakage Current Under High Temperature | $H \cdot I_R$ | μA | 300 max. | $V_R=V_{RM}$, Ta=100°C |
| 4 | Reverse Recovery Time | Trr-1 | μs | 0.4 max. | $I_F=I_{RP}=10mA$, Ta=25°C 90% Recovery point |
| | | Trr-2 | μs | 0.18 max. | $I_F=10mA$, $I_{RP}=20mA$, Ta=25°C 75% Recovery point |
| 5 | Thermal Resistance | $R_{th(j-l)}$ | °C /W | 15 max. | Between Junction and Lead |

5. V_F test and test circuit



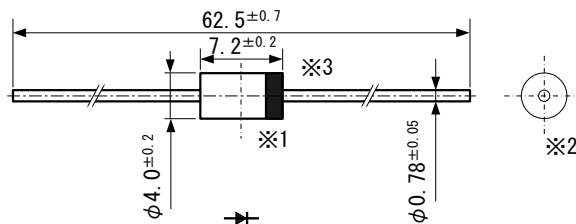
6. Derating

Derating to the ambient temperature.
Power loss generated by voltage is not taken into consideration.



7.Package information

7-1 Package type, physical dimensions and material



Dimensions in mm

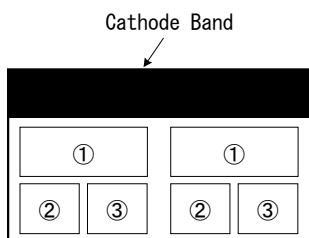
- *1 The allowance position of Body against the center of whole lead wire is 0.5mm (max.)
- *2 The centric allowance of lead wire against center of physical body is 0.3mm (max.)

7-2 Appearance

The body shall be clean and shall not bear any stain, rust or flaw.

7-3 Marking

① Type number RU2



② Lot number 1
 First digit : Last digit of year
 Second digit : Month
 From 1 to 9 for Jan. to Sep.
 O for Oct., N for Nov., and D for Dec.

③ Lot number 2 (ten days)
 · : Top of the month
 ·· : Middle of month
 ··· : End of month

The Type number and Lot number are to be marked in red.