

5

4

3

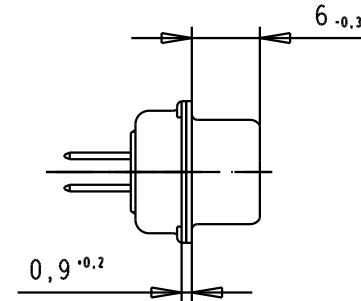
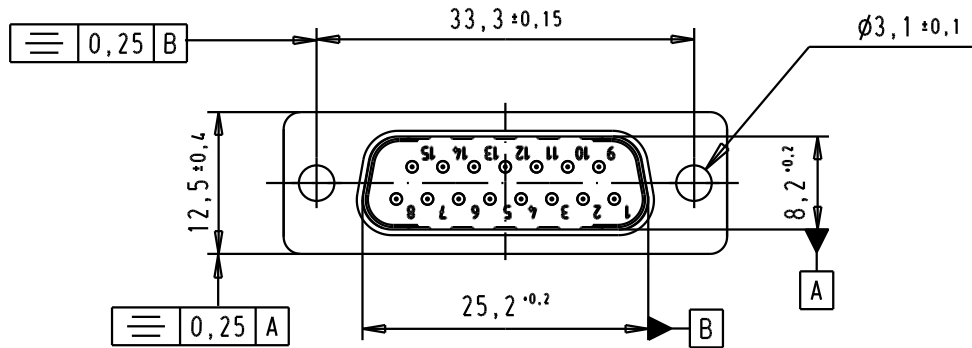
2

1

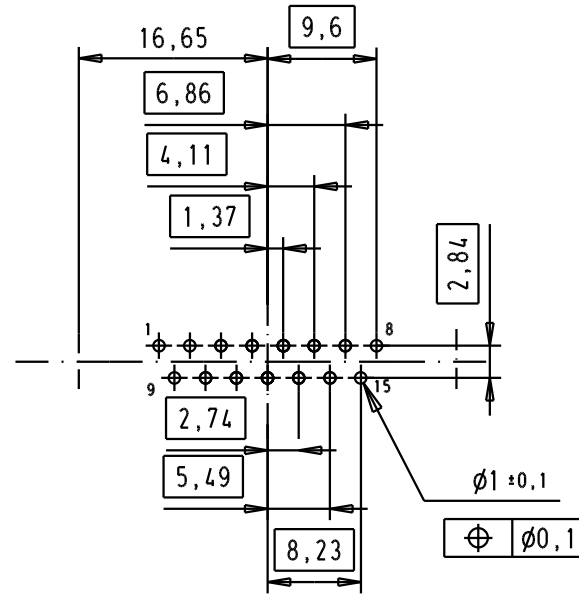
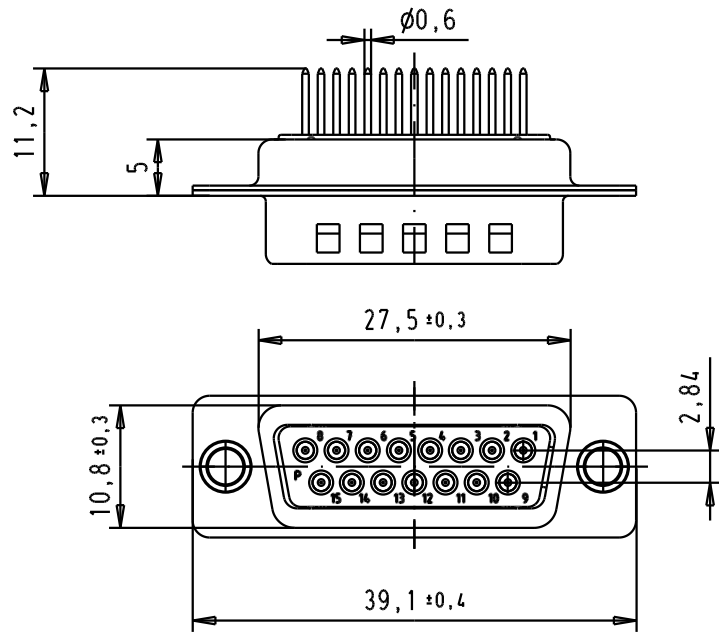
SPECIFICATION

Mating Cycles	500
filter type	C
Capacitance	470pf±20%
Working Voltage	100v
Current Rating	7.5A
Insulation Resistance	>1GΩ

FREQUENCY (MHz)	ATTENUATION dB
5	-
10	1dB
50	10dB
100	15dB
500	35dB
1000	32dB



PCB Layout, Component side



				Dat.	Name	
			Detail.	8-JUL-02	CV	
			Insp.			
			Stand.			All Dim. in mm Orig. Size DIN A 4
33267	17/11/05	JMDR				
31058	8-JUL-02	CV				
Mod.	Dat.	Name				

HARTING EURL
F-95972 Paris

D-Sub, male, straight,
15 Poles, solder pins,
tin plated shell with
dimples and holes

Mo?Mslab/
Scale

1.5:1

TB 09642227220

Blatt/ Page

1 / 1

Sub.

D

C

B

A