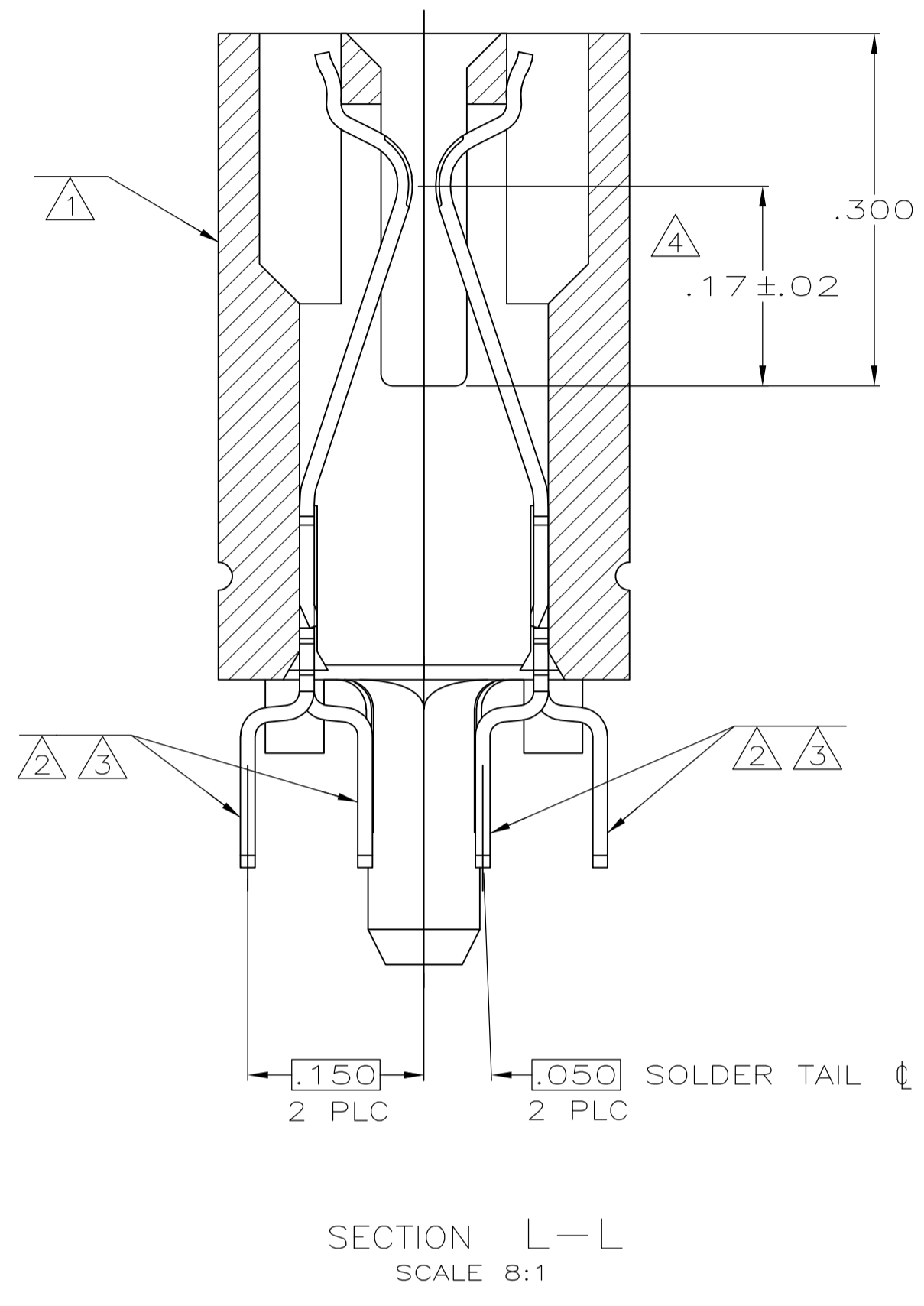


SEE SHEET 2 FOR HOLE PATTERNS



- 1 HOUSING: HIGH TEMPERATURE THERMOPLASTIC. COLOR: BROWN.
- 2 CONTACT: PHOSPHOR BRONZE.
- 3 CONTACT FINISH: .000100 MIN NICKEL ALL OVER, .000030 MIN GOLD OVER NICKEL IN CONTACT AREA, .000100 MIN TIN-LEAD OVER NICKEL ON SOLDER TAILS.
- 4 DISTANCE FROM CONTACT POINT TO BOTTOM OF CARD SLOT.
- 5 AMP PART NUMBER, DATE CODE AND CSA LOGO MARKED IN APPROXIMATE AREA SHOWN.
- 6 PIN ONE IDENTIFIER NOTCH ONLY ON PART NUMBERS INDICATED.
- 7 OBSOLETE PARTS: OBSOLETE CIS STREAMLINING PER D.RENAUD/D.SINISI

	.125	NO	B	1.800	1.760	2.59	.610	10	33	45	1-650090-4
OBSOLETE	.140	NO	B	1.800	1.760	2.59	.610	10	33	45	1-650090-3
	.140	NO	A	1.050	1.010	1.84	.610	10	18	30	1-650090-2
OBSOLETE	.140	NO	C	2.200	2.160	4.34	1.960	37	41	80	1-650090-1
OBSOLETE	.100	NO	B	2.100	2.060	4.59	2.310	44	39	85	1-650090-0
	.100	NO	C	2.200	2.160	4.34	1.960	37	41	80	650090-9
OBSOLETE	.125	YES	A	2.350	2.310	3.14	.610	10	44	56	650090-8
	.100	NO	B	.700	.660	1.49	.610	10	11	23	650090-7
	.100	NO	A	1.050	1.010	1.84	.610	10	18	30	650090-6
OBSOLETE	.100	NO	A	2.550	2.510	3.34	.610	10	48	60	650090-5
OBSOLETE	.100	NO	A	.550	.510	1.34	.610	10	8	20	650090-4
	.100	NO	A	1.550	1.510	2.34	.610	10	28	40	650090-3
	.100	NO	B	1.800	1.760	2.59	.610	10	33	45	650090-2
	.100	YES	A	2.350	2.310	3.14	.610	10	44	56	650090-1
W	PIN ONE IDENTIFIER	HOLE PATTERN	V	U	T	S	Y	X	NO OF DUAL POSN	PART NUMBER	

THIS DRAWING IS A CONTROLLED DOCUMENT. DIN K.L.CLOUSER/UTA 3/20/91  
CHK M. BOWERS 7-22-91

DIMENSIONS: INCHES. TOLERANCES UNLESS OTHERWISE SPECIFIED:  
0 PLC ± -  
1 PLC ± -  
2 PLC ± .01  
3 PLC ± .005  
4 PLC ± - ± .01  
ANGLES ± - ± .1

MATERIAL: HOUSING 1, CONTACT 2. FINISH: CONTACT FINISH 3.

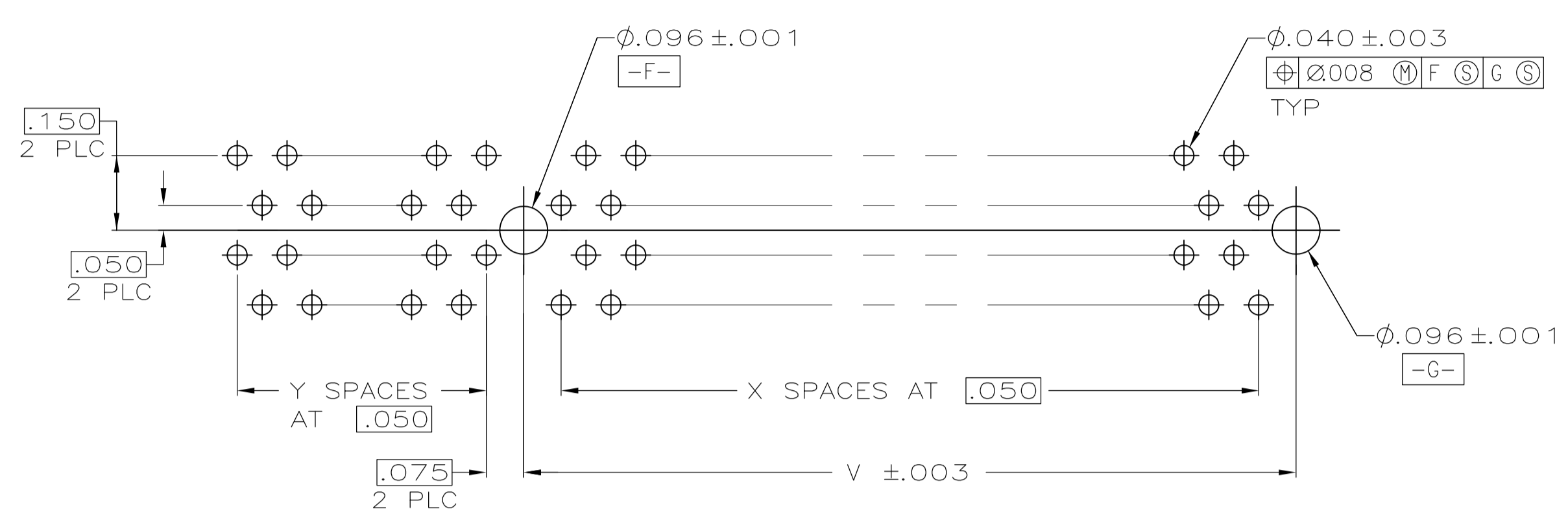
NAME: CONNECTOR ASSEMBLY, DUAL POSITION, .050 SERIES.

PRODUCT SPEC: 108-14034  
APPLICATION SPEC: 114-26012

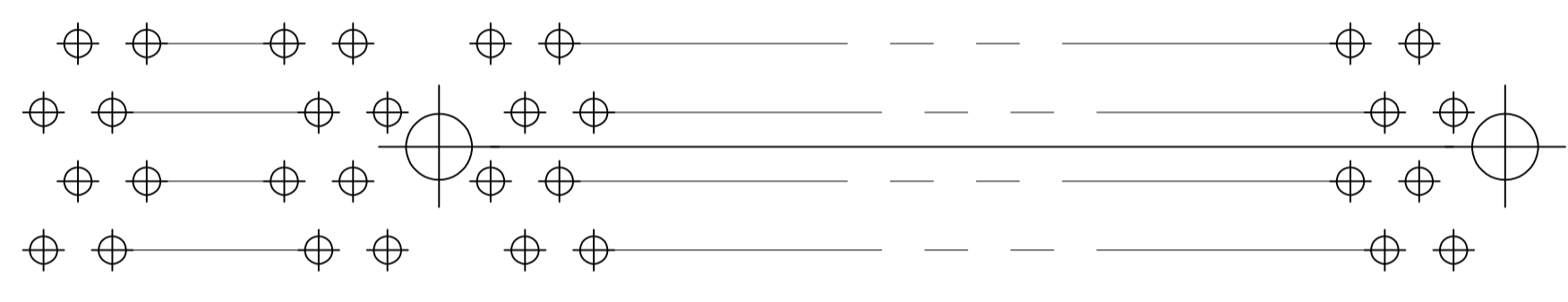
SIZE: A1. CAGE CODE: 00779. DRAWING NO: 650090. RESTRICTED TO: -

WEIGHT: -. SCALE: 4:1. SHEET: 1 OF 2. REV: AA2.

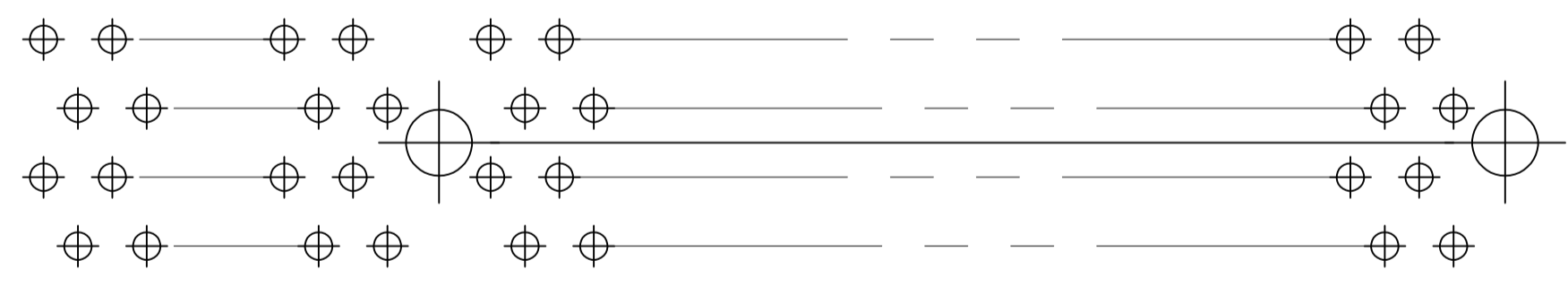
CUSTOMER DRAWING



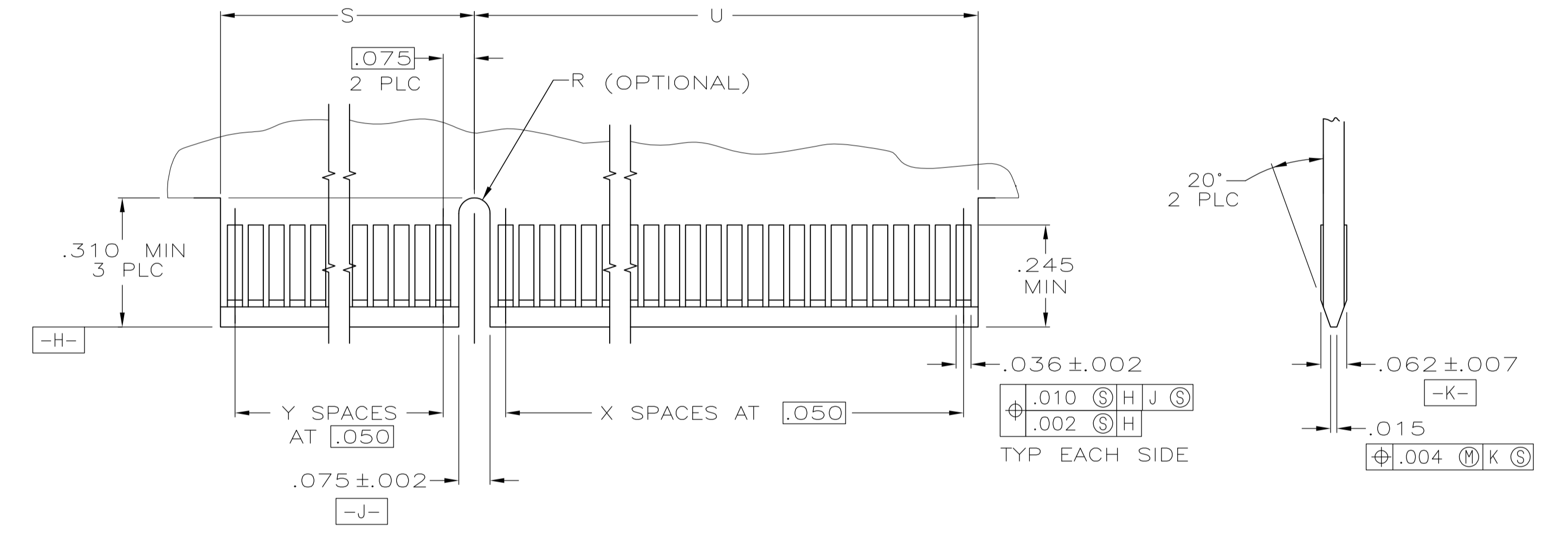
RECOMMENDED CONNECTOR MOUNTING HOLE PATTERN A  
(CONNECTOR SIDE SHOWN)



RECOMMENDED CONNECTOR MOUNTING HOLE PATTERN B  
(CONNECTOR SIDE SHOWN)



RECOMMENDED CONNECTOR MOUNTING HOLE PATTERN C



RECOMMENDED MATING BOARD EDGE CONFIGURATION  
(CONNECTOR SIDE SHOWN)

THIS DRAWING IS A CONTROLLED DOCUMENT.		DIN K.L.CLOUSER/UTA 3/20/91		TE Connectivity	
DIMENSIONS: INCHES		TOLERANCES UNLESS OTHERWISE SPECIFIED:		CHK: M. BOWERS APVD:	
0 PLC ± - 1 PLC ± - 2 PLC ± .01 3 PLC ± .005 4 PLC ± ± 2° ANGLES ± ± 2°		PRODUCT SPEC 108-14034 APPLICATION SPEC 114-26012		NAME: CONNECTOR ASSEMBLY DUAL POSITION .050 SERIES	
MATERIAL: SEE SHEET 1		FINISH: SEE SHEET 1		SIZE: A1 CAGE CODE: 00779 DRAWING NO: 650090 WEIGHT: - RESTRICTED TO: -	
CUSTOMER DRAWING				SCALE: 4:1 SHEET 2 OF 2 REV AA2	