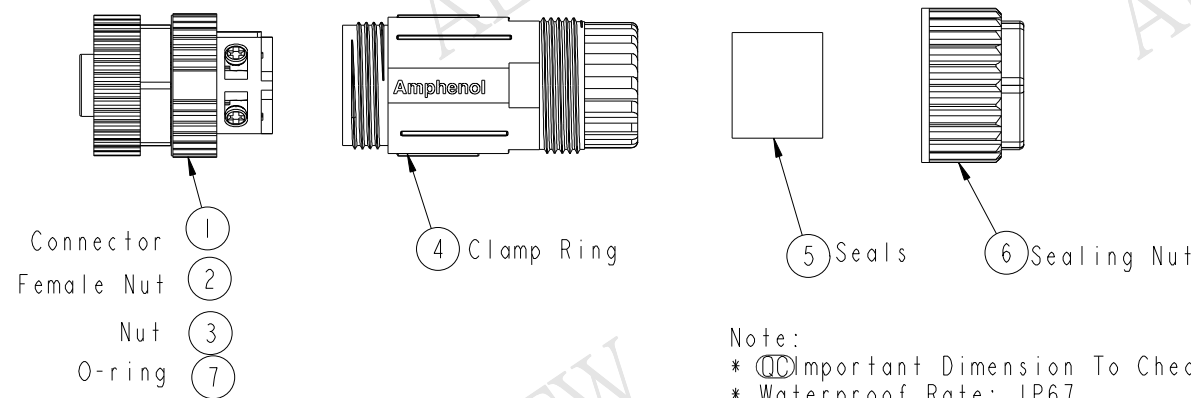
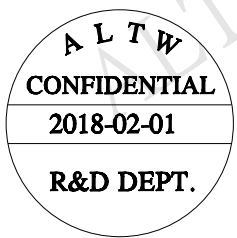
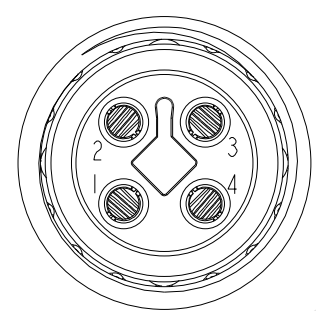


THIS DOCUMENT IS SUBJECT TO CHANGE WITHOUT NOTICE. IT IS CONFIDENTIAL AND A PROPERTY OF Amphenol LTW. DISCLOSURE TO THIRD PARTY HAS TO BE AUTHORIZED BY Amphenol LTW.

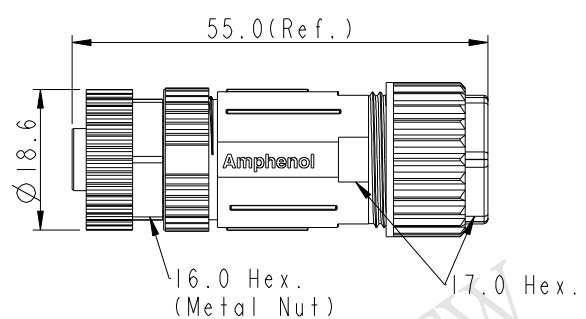
REV.	ECN NO.	DATE	SIGN	DESCRIPTION
A	Initial Release	2015-03-26	Cary	Change Rev. 01 to Rev.A
B	LEN1820018	2018-02-01	Feng_Li	Modify The Note



- Note:
- \*  $\text{CC}$  Important Dimension To Check.
  - \* Waterproof Rate: IP67
  - \* Housing: Nylon+GF, UL94V-0, Black
  - \* Female Pin: Copper Alloy, Gold Plated
  - \* Female Nut: Zinc Alloy, Nickel Plated
  - \* O-Ring: Silicon, UL94V-0, Grey
  - \* Clamp Ring: Nylon, UL94V-0, Black
  - \* Sealing Nut: PBT+PC, UL94V-0, Black
  - \* Seals: Silicon, UL94V-0, Gray
  - \* Rated Voltage: 60V DC.
  - \* Rated Current at 40°C: 12A
  - \* Operation Temperature: -40~105°C.
  - \* Seal For Cable Range OD:  $\varnothing 8.0\text{mm} \sim \varnothing 10.0\text{mm}$ , 16AWG
  - \* Screws for Wire connection recommended tightening torque: 0.61~0.84 kgf.cm / 0.059~0.082 N.m
  - \* Applicable Wire gauge (Stranded wire cross section) 0.52mm<sup>2</sup> (20AWG) ~ 1.31mm<sup>2</sup> (16AWG)
  - \* Mating Recommended tightening torque: 3~4 kgf.cm / 0.29~0.39 N.m
  - \* Sealing-Nut Recommended tightening torque: 4~6 kgf.cm / 0.39~0.59 N.m
  - \* Detailed applicable wire specifications may vary depending on the actual wire construction.



Pin Assignments  
Front View



UNIT:mm			TITLE M12 T Code 4Pin F Conn. ASSY			ITEM NO M12T-04BFFB-SL7002	DRAWN BY Feng_Li	DATE 2018-02-01	
			TOLERANCE .X ±0.25 .XX ±0.1 .XXX ±0.05 ANGLES ±1°			SCALE 1:1	SIZE A4	SHEET 1	OF 1
REV. B			WC-REV. A.1	$\text{CC}$ : Inspection item	Amphenol LTW 安費諾亮泰企業股份有限公司		CUSTOMER ALTW	APPROVED BY Jerry	DATE 2018-02-01