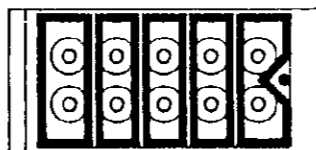
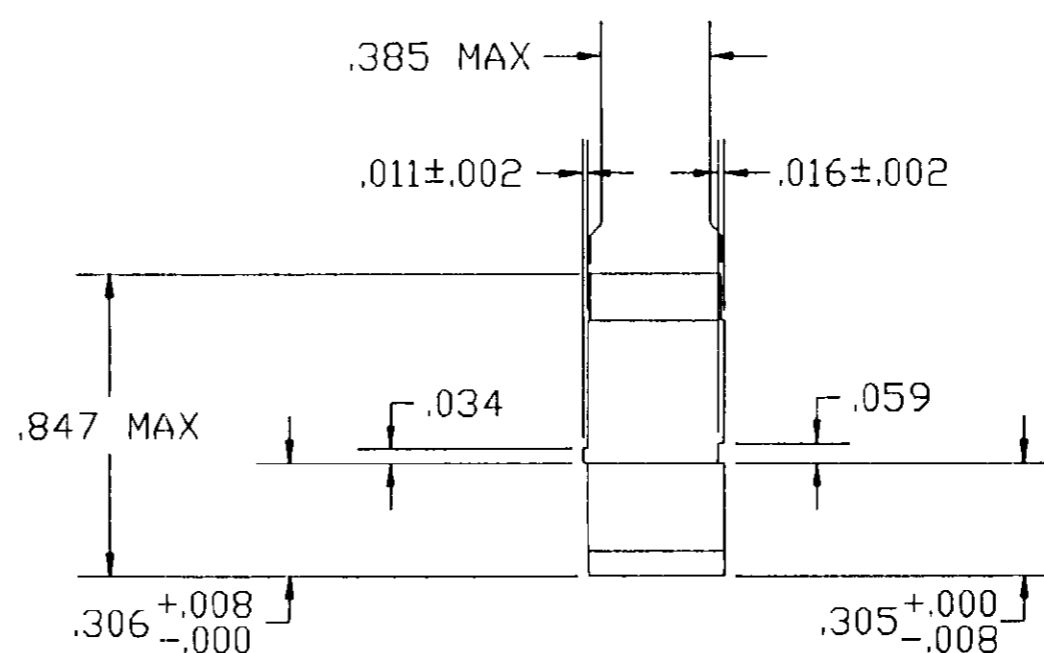
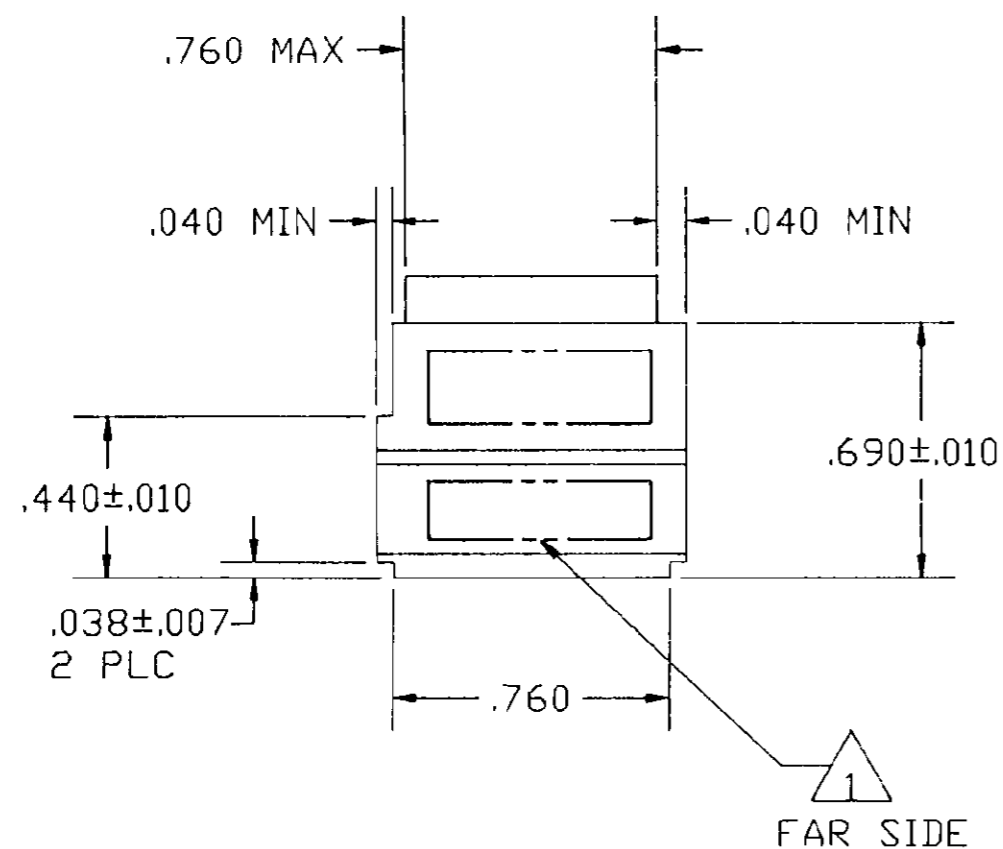
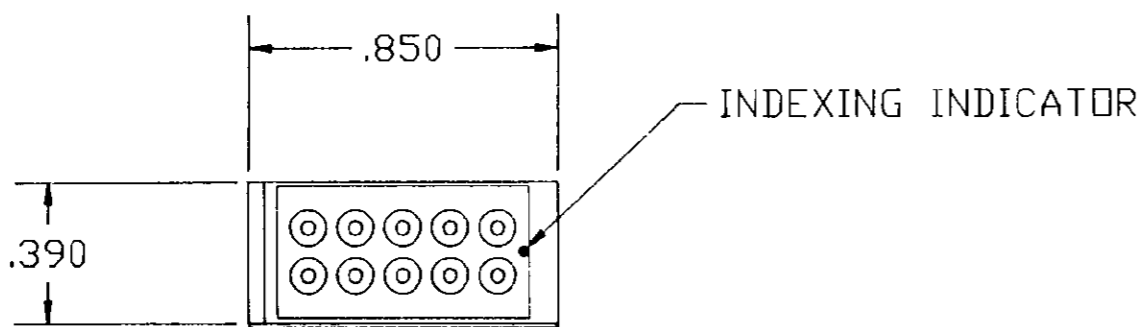


THIS DRAWING IS UNPUBLISHED. RELEASED FOR PUBLICATION, 19
 © COPYRIGHT 19 BY AMP INCORPORATED. ALL INTERNATIONAL RIGHTS RESERVED

REVISIONS						
P	F	ZONE	LTR	DESCRIPTION	DATE	APPROVED
			D	RELEASE OF NEW PRODUCT	03/93	J.L.M.
			A	REV PER 0600-0910-93	08/93	N.G.F.
✓	✓		B	REV PER 0600-1279-93	10/93	N.G.F.



592861-1

BUSSING ARRANGEMENTS 2

DESCRIPTION	MATERIAL	FINISH
MODULE ASSEMBLY	D.A.P. PER MIL-M14 TYPE SDG-F	COLOR: GREEN
GROMMET	FLUORSILICONE RUBBER 70/30 BLEND	COLOR: GREEN
CONTACT SOCKET	BERYLLIUM COPPER PER QQ-C-533	GOLD PLATE PER MIL-G-45204
RETAINING CLIP	BERYLLIUM COPPER PER QQ-C-533 OR STAINLESS STEEL PER QQ-S-766	NONE
CONTACTS	COPPER ALLOY PER MIL-C-39029/1	GOLD PLATE PER MIL-G-45204
SEALING PLUGS	F.E.P. PER MIL-P-19468	COLOR: RED

592861

B

DO NOT SCALE PRINT. UNLESS OTHERWISE SPECIFIED DIMENSIONS ARE IN INCHES. TOLERANCES ON: 2 PLC DEC ± --- 3 PLC DEC ± .005 ANGLES ± ---		CONTRACT NO DR N. FRITZ 03-10-93 CHK R. RYAN 07-27-93 APPD R. RYAN 07-27-93 APPD D. ENGLER 07-27-93 DSGN APPD OTHER APPD		PART NO AMP AMP INCORPORATED Harrisburg, Pa. 17105 NAME MODULE, FEED-BACK SIZE 20 ASSEMBLY TJ	
MATERIAL _____ FINISH _____		SIZE C	FSCM NO 00779	DRAWING NO 592861	SHEET 1 OF 1
		SCALE 2 : 1			

A

3. AMP PART NO. 592861-1 WAS FORMERLY MATRIX SCIENCE PART NO. MRTB20E09-225.

2 BUSSING ARRANGEMENT OUTLINE DENOTES INTERNAL ARRANGEMENT OF CONTACT SOCKETS.

1 MARK MODULE ASSEMBLY WITH "AMP", AMP PART NO. AND DATE CODE .060 MINIMUM HIGH CHARACTERS AT APPROXIMATE AREA SHOWN.

THIS DRAWING IS A CONTROLLED DOCUMENT FOR AMP INCORPORATED. IT IS SUBJECT TO CHANGE AND THE CONTROLLING ENGINEERING ORGANIZATION SHOULD BE CONTACTED FOR THE LATEST REVISION.