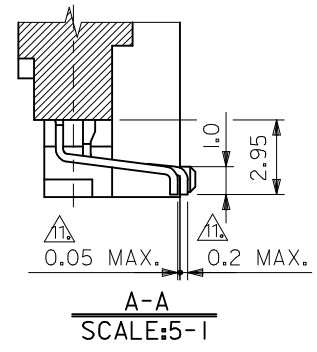
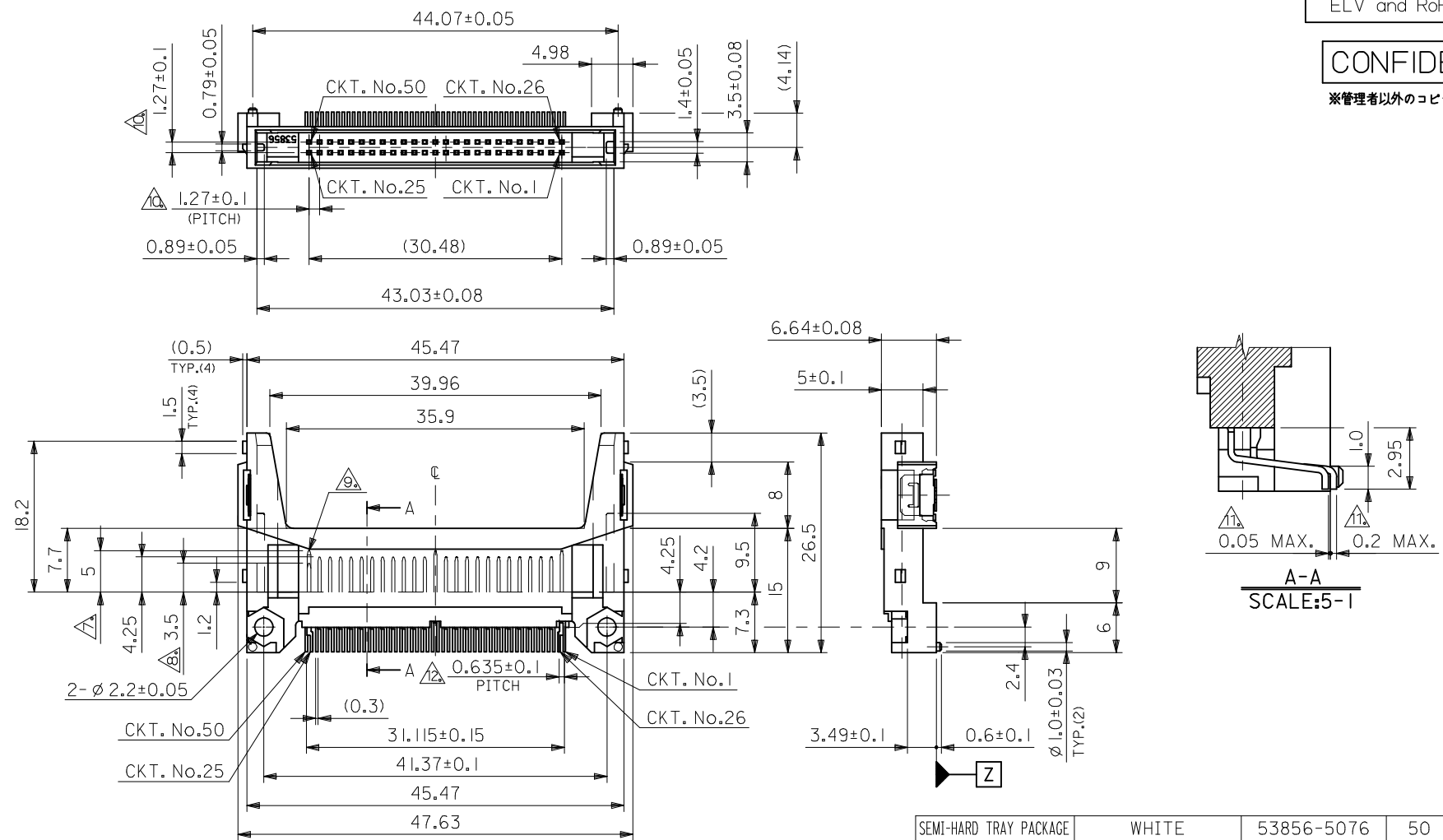


ELV and RoHS Compliant

**CONFIDENTIAL**

※管理者以外のコピー及び配布を禁ずる



SEMI-HARD TRAY PACKAGE	WHITE	53856-5076	50	53856-507*
SOFT TRAY PACKAGE	<del>BLACK</del>	<del>53856-5071</del>	<del>50</del>	
	WHITE	53856-5070	50	
PACKING TRAY FORM	HOUSING COLOR	MATERIAL No.	No. OF CKT.	MODEL No.

<b>REVISED</b> EC NO: J2015-1214 DRW:RWATANABE01 2015/03/11 CHK:D-AMI/ZUMURA 2015/03/17 APPR:MYAGI 2015/03/23	GENERAL TOLERANCES (UNLESS SPECIFIED)			DIMENSION STYLE		SCALE	DESIGN UNITS		CF CARD CONN. HEADER ASS'Y -LEAD FREE- <b>molex</b> SD-53856-007 SHEET NO. 1 OF 2
	0.25 UNDER UNDER ±0.03			MM ONLY		---	METRIC		
	0.25 OVER 0.5 UNDER ±0.05			DRAWN BY DATE		TITLE			
	0.5 OVER 1.0 UNDER ±0.1			M. NABEI '04/03/16		THIRD ANGLE PROJECTION			
	1.0 OVER 10 UNDER ±0.2			CHECKED BY DATE					
10 OVER 30 UNDER ±0.25			K. TOJO '04/03/16						
30 OVER ±0.3			APPROVED BY DATE						
ANGULAR ±3 °			M. SASAO '04/03/16						
DRAFT WHERE APPLICABLE MUST REMAIN WITHIN DIMENSIONS			MATERIAL NO.		DOCUMENT NO.				
			SEE CHART						

**CONFIDENTIAL**

※管理者以外のコピー及び配布を禁ずる

注) NOTES

- 材質  
MATERIAL  
ハウジング: ガラス入りLCP UL94V-0  
HOUSING: LCP G.F. UL94V-0  
ピン: リン青銅  
PIN: PHOSPHOR BRONZE  
ネール: リン青銅  
NAIL: PHOSPHOR BRONZE
- メッキ仕様  
PLATING  
PIN 接点部: ニッケル下地、パラジウムニッケル、金メッキ  
CONTACT AREA: PALLADIUM-NICKEL, GOLD OVER NICKEL  
半田付け部: 錫メッキ  
SOLDER TAIL AREA: TIN  
下地メッキ: ニッケルメッキ  
UNDERPLATING: NICKEL OVER ALL  
NAIL 錫メッキ  
TIN  
下地メッキ: ニッケルメッキ  
UNDERPLATING: NICKEL OVER ALL

- 推奨基板厚:  $t \geq 0.8$  MIN.  
RECOMMENDED P.C.B. THICKNESS:  $t \geq 0.8$  MIN.

- 適合カード厚  
RECOMMENDED CARD THICKNESS  
接続部:  $3.3 \pm 0.1$   
CONNECTING AREA:  $3.3 \pm 0.1$

- 適合カード幅:  $42.8 \pm 0.1$   
RECOMMENDED CARD WIDTH:  $42.8 \pm 0.1$

- ハウジング色:  
HOUSING COLOR:  
53856-5010: 白 (WHITE)  
53856-5010: 黒 (BLACK)

△寸 1,13,38,50  
THIS DIMENSION APPLIES TO CIRCUIT NUMBERS  
1,13,38 AND 50.

△8 25,26  
THIS DIMENSION APPLIES TO CIRCUIT NUMBERS 25 AND 26.

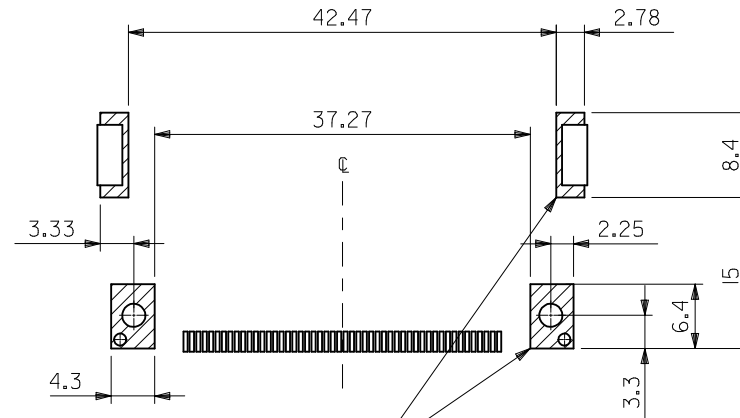
△9 ピンの倒れは、ピン根元を基準に全方向へ  $0.1$  MAX.とする。  
PIN TIP LEAN TOWARD ANY DIRECTION NOT TO EXCEED  $0.1$   
WHEN MEASURED FROM PIN BASE.

△10 ピン根元に適用する。  
THIS DIMENSION TO BE MEASURED AT PIN BASE.

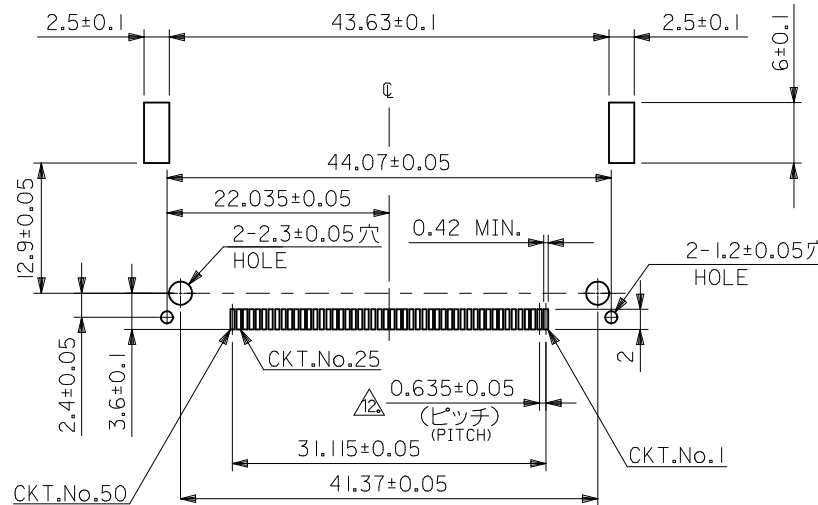
△11 ソルダーテールは、Z面を基準とし上へ  $0.05$  下へ  $0.2$  の範囲にあり、  
且つソルダーテールの平坦度は、 $0.15$  MAX.とし、テール先端にて測定する。  
SOLDER TAILS TO BE WITHIN  $0.05$  UPWARD AND  $0.2$  DOWNWARD FROM Z-DATUM PLACE, AND COPLANARITY  
OF SOLDER TAILS TO BE WITHIN  $0.15$ .  
MEASUREMENT POINT IS SOLDER TAILS TIP.

△12 公差非累積  
NON-CUMULATIVE

- 本製品は 53856-501\* の鉛フリー品である。  
THIS PRODUCT IS LEAD FREE OF 53856-501\*.



部品実装不可エリア  
NO PARTS TO BE LOCATED IN THIS AREA.



基板推奨寸法  
RECOMMENDED P.C.B. LAYOUT

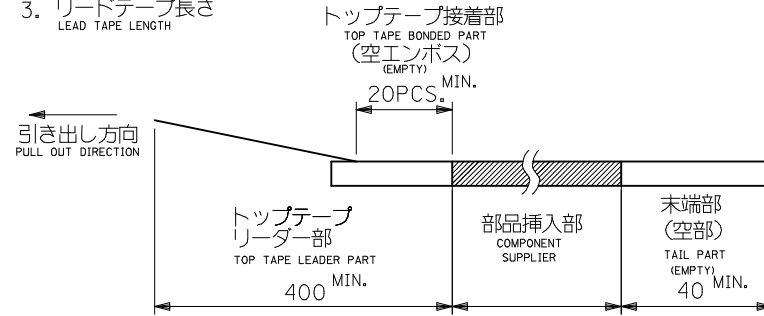
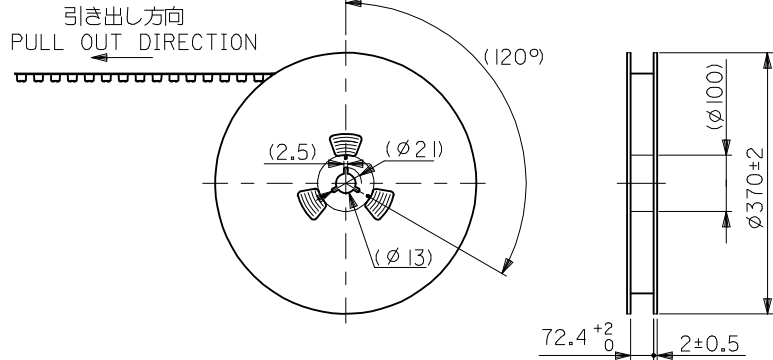
GENERAL TOLERANCES (UNLESS SPECIFIED)			DIMENSION STYLE MM ONLY		SCALE ---	DESIGN UNITS METRIC	THIRD ANGLE PROJECTION
0.25 UNDER	UNDER	±0.03	DRAWN BY	DATE	TITLE		
0.25 OVER	0.5 UNDER	±0.05	M. NABEI	'04/03/16	CF CARD CONN. HEADER ASS'Y -LEAD FREE- <b>molex</b> DOCUMENT NO. SD-53856-007 SHEET NO. 2 OF 2		
0.5 OVER	1.0 UNDER	±0.1	CHECKED BY	DATE			
1.0 OVER	10 UNDER	±0.2	K. TOJO	'04/03/16			
10 OVER	30 UNDER	±0.25	APPROVED BY	DATE			
30 OVER		±0.3	M. SASAO	'04/03/16			
ANGULAR	±3 °		MATERIAL NO.		SEE SHEET 1		
DRAFT WHERE APPLICABLE MUST REMAIN WITHIN DIMENSIONS			SIZE A3	THIS DRAWING CONTAINS INFORMATION THAT IS PROPRIETARY TO MOLEX INCORPORATED AND SHOULD NOT BE USED WITHOUT WRITTEN PERMISSION			

**CONFIDENTIAL**

※管理者以外のコピー及び配布を禁ずる

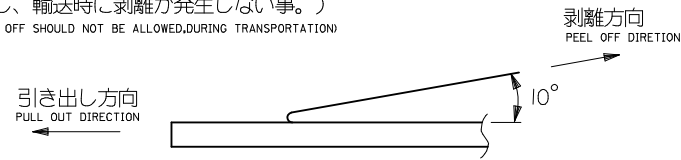
注)  
NOTES

- 製品番号 53856-5070/53856-5071 の詳細寸法については、SD-53856-007 を参照下さい。  
IN THE PACKAGE , PART NO. 53856-5070/53856-5071 DETAILED DIMENSIONS , SEE SD-53856-007
- 梱包数量 : 280個/リール  
NUMBER OF CONNECTORS : 280 PCS/REEL
- リードテープ長さ  
LEAD TAPE LENGTH



- トップテープの剥離強度 : (剥離方向は下図参照)  
PEELING OFF FORCE OF TOP TAPE (PEELING DIRECTION AS SHOWN IN FOLLOWING FIG.)  
0.1~1.3N {10~130gf} : キャリアテープ幅 7.2mm  
CARRIER TAPE WIDTH 7.2mm

尚、本規格値は、出荷時に適用。  
THIS REQUIREMENT SHOULD BE APPLIED AT SHIPMENT  
(但し、輸送時に剥離が発生しない事。)  
(PEEL OFF SHOULD NOT BE ALLOWED, DURING TRANSPORTATION)



- 材料  
MATERIAL  
キャリアテープ : ポリプロピレン (PP)  
CARRIER TAPE : POLYPROPYLENE (PP)  
トップテープ : PET, PE, PEF  
TOP TAPE : PET, PE, PEF  
リール : 紙  
REEL : CARD BOARD

- 本製品は 53856-501\* の鉛フリー品である。  
THIS PRODUCT IS LEAD FREE OF 53856-501\*

BLACK	53856-5071	53856-5079
WHITE	53856-5070	53856-5078
HOUSING COLOR	PART No.	MATERIAL No.
	53856-507*	MODEL No.

REVISED EC NO: J2015-1214 DRW:RWATANABE01 2015/03/11 CHKD:AMIZUMURA 2015/03/18 APPR:MYAGI 2015/03/23	GENERAL TOLERANCES (UNLESS SPECIFIED)			DIMENSION STYLE MM ONLY		SCALE ---	DESIGN UNITS METRIC	THIRD ANGLE PROJECTION	
	0.25 UNDER	UNDER	±0.03	DRAWN BY M. NABE I	DATE '04/03/16	TITLE 53856-5070/5071 TAPING PACKAGE -LEAD FREE-			
	0.25 OVER	0.5 UNDER	±0.05	CHECKED BY K. TOJO	DATE '04/03/16	molex			
	0.5 OVER	1.0 UNDER	±0.1	APPROVED BY M. SASAO	DATE '04/03/16				
1.0 OVER	10 UNDER	±0.2	MATERIAL NO.		DOCUMENT NO.	SHEET NO.			
10 OVER	30 UNDER	±0.25	SEE CHART		SD-53856-008		1 OF 2		
30 OVER		±0.3	THIS DRAWING CONTAINS INFORMATION THAT IS PROPRIETARY TO MOLEX INCORPORATED AND SHOULD NOT BE USED WITHOUT WRITTEN PERMISSION						
ANGULAR	±3 °								
DRAFT WHERE APPLICABLE MUST REMAIN WITHIN DIMENSIONS									

**CONFIDENTIAL**

※管理者以外のコピー及び配布を禁ずる

10 9 8 7 6 5 4 3 2 1

F

E

D

C

B

A

F

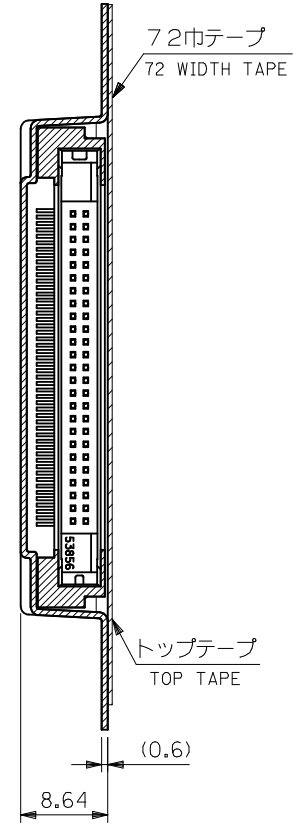
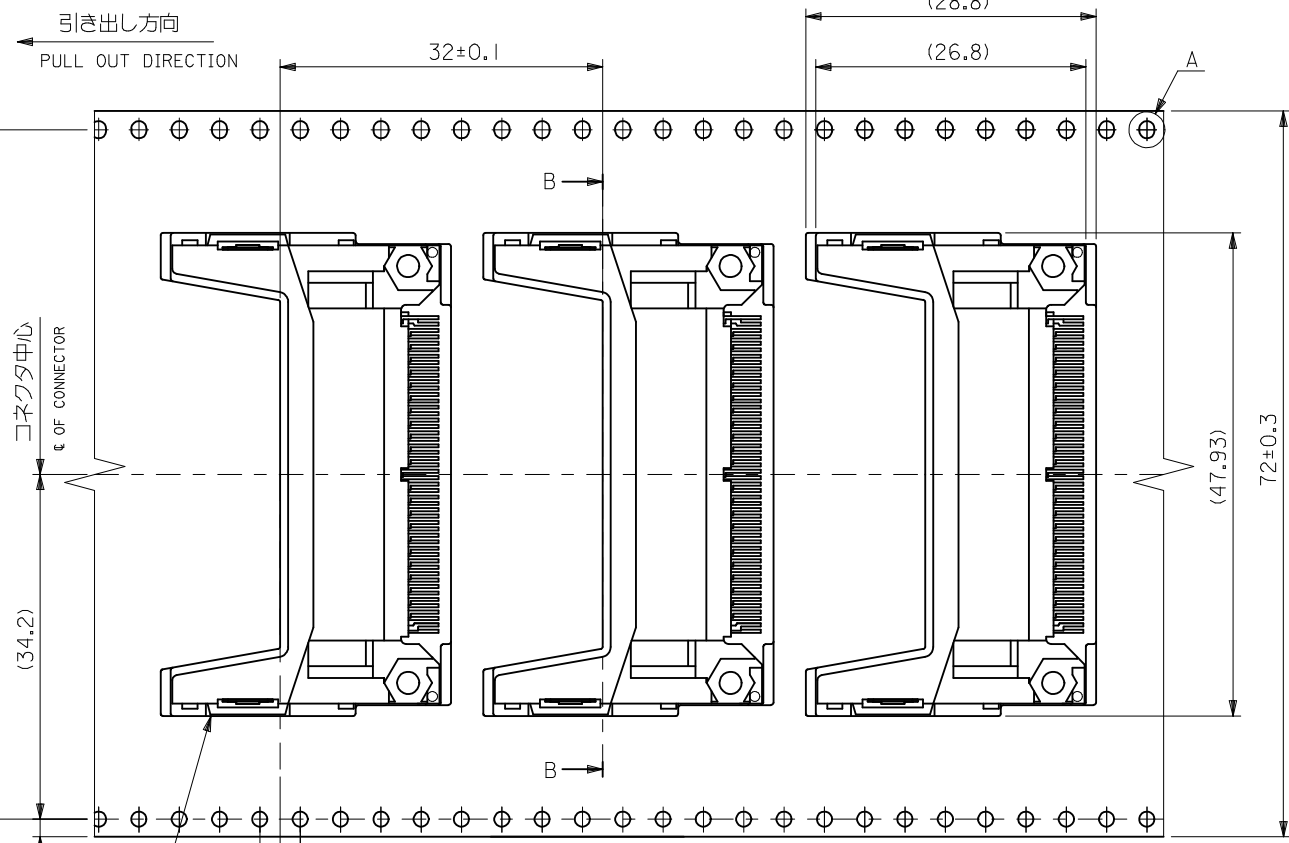
E

D

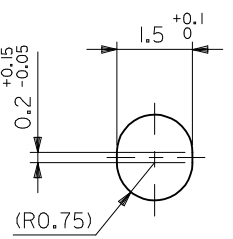
C

B

A



断面 B - B  
SECTION B-B



A部詳細  
SCALE: 10-1

53856-507\*  
累積ピッチ : 40±0.2  
ACCUMULATIVE  
PITCH : 40±0.2

REVISED EC NO: J2015-1214 DRW:RWATANABE01 2015/03/11 CHK:D:MIYAZUMURA 2015/03/18 APPR:MYAGI 2015/03/23	GENERAL TOLERANCES (UNLESS SPECIFIED)		DIMENSION STYLE MM ONLY		SCALE ---	DESIGN UNITS METRIC	THIRD ANGLE PROJECTION
	0.25 UNDER	UNDER	±0.03	DRAWN BY M. NABEI	DATE '04/03/16	TITLE 53856-5070/5071 TAPING PACKAGE -LEAD FREE-	
	0.25 OVER	0.5 UNDER	±0.05	CHECKED BY K. TOJO	DATE '04/03/16	<b>molex</b> DOCUMENT NO. SD-53856-008 SHEET NO. 2 OF 2	
	0.5 OVER	1.0 UNDER	±0.1	APPROVED BY M. SASAO	DATE '04/03/16		
1.0 OVER	30 UNDER	±0.2	MATERIAL NO.		SEE SHEET 1		
30 OVER		±0.3	DRAFT WHERE APPLICABLE MUST REMAIN WITHIN DIMENSIONS		THIS DRAWING CONTAINS INFORMATION THAT IS PROPRIETARY TO MOLEX INCORPORATED AND SHOULD NOT BE USED WITHOUT WRITTEN PERMISSION		
ANGULAR		±3 °	SIZE A3				

9 8 7 6 5 4 3 2 1